



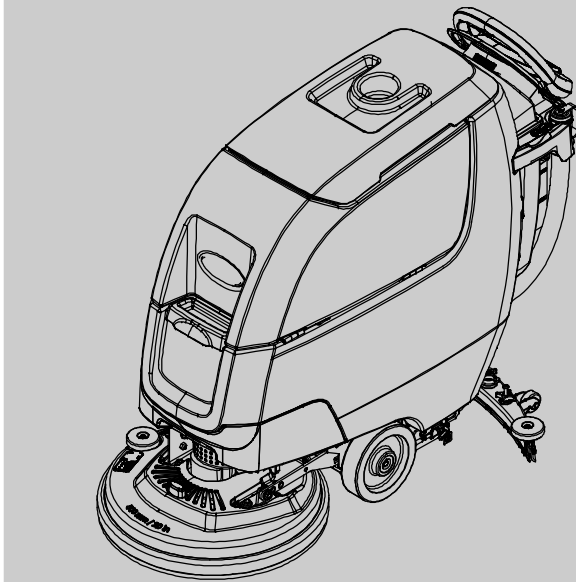
# T300e

Walk-behind Floor Scrubber

## Parts Manual



(S/N 10000000-20000000)



*Hygenic<sup>®</sup> Fully Cleanable Recovery Tank*  
*TennantTrue<sup>®</sup> Parts*



**North America / International**

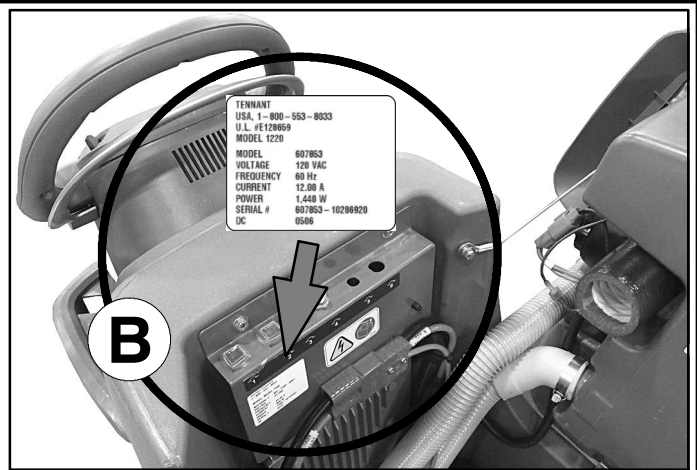


For the latest Parts manuals and other language Operator manuals, visit:

[www.tennantco.com/manual](http://www.tennantco.com/manual)

9014505  
Rev. 07 (01-2019)





Ref	Part No.	Serial Number	Description	Qty.
1	82681	(000000- )	Bracket W/dt, Lpg Mount	1
▽ 2	63810	(000000- )	Latch Assy, Lpg Tank Mtg, W/Nut	4
▲ 3	51839	(000000- )	Nut Adjustable, Lpg Tank Mtg	2
4	49263	(000000- )	Tie, Cable	3
(D) 82556	82556	(000000- 001039)	Bracket, Vaporizer	1
(C) 54930	54930	(000000- )	Vaporizer, LPG	1

**HOW TO ORDER PARTS - See diagram above**

Only use TENNANT Company supplied or equivalent parts. Parts and supplies may be ordered online, by phone, by fax or by mail.

Follow the steps below to ensure prompt delivery.

1. (A) Identify the machine model.
2. (B) Identify the machine serial number from the data label.
3. (C) Ensure the proper serial number is used from the parts list.
4. Identify the part number and quantity. Do not order by page or reference numbers.
5. Provide your name, company name, customer ID number, billing and shipping address, phone number and purchase order number.
6. Provide detail shipping instructions.

- (D) ▽ - identifies an assembly  
 ▲ - identifies parts included in assembly

**Please fill out at time of installation for future reference.**

Model No. - \_\_\_\_\_

Serial No. - \_\_\_\_\_

Machine Options - \_\_\_\_\_

Sales Rep. - \_\_\_\_\_

Sales Rep. phone no. - \_\_\_\_\_

Customer ID Number - \_\_\_\_\_

Installation Date - \_\_\_\_\_

**Tennant Company**  
 PO Box 1452  
 Minneapolis, MN 55440 USA  
 Phone: (800) 553- 8033  
 www.tennantco.com

**TENNANT Cleaning Systems & Equipment (Shanghai) Co., Ltd**  
 Building 1, No. 3777 Caoying Road  
 Qingpu Shanghai, China 201712  
 Phone: 86 21 6922 5333  
 Fax: 86 21 69225151  
 www.tennantco.com.cn

**Tennant Company Japan**  
 9F Industry & Trade Center  
 Yokohama, Kanagawa 231- 0023  
 Japan  
 Telephone: 81- 45- 640- 5630  
 Fax: 81- 45- 640- 5604  
 www.tennant.co.jp.com

Specifications and parts are subject to change without notice.

Copyright © 2015 - 2019 TENNANT Company, Printed in U.S.A.

<b>ES</b>	<p><b>CÓMO SOLICITAR PIEZAS - Consulte el diagrama anterior.</b></p> <p>Utilice sólo las piezas suministradas por TENNANT Company o piezas equivalentes. Puede solicitar las piezas a través de internet, por teléfono, por fax o por correo.</p> <p>Siga los siguientes pasos para que la entrega sea rápida.</p> <ol style="list-style-type: none"> <li>1. <b>(A)</b> Indique el modelo de máquina.</li> <li>2. <b>(B)</b> Indique el número de serie de la etiqueta de datos.</li> <li>3. <b>(C)</b> Asegúrese de que indica el número de serie correcto de la lista de piezas.</li> <li>4. Indique la cantidad y el número de la pieza. No realice el pedido indicando el número de página o el de referencia.</li> <li>5. Incluya su nombre, el nombre de la empresa, el ID de cliente, las direcciones de envío y facturación, el número de teléfono y el número del pedido de compra.</li> <li>6. Facilite instrucciones de envío.</li> </ol> <hr/> <p><b>(D)</b> ▽ - identifica un conjunto ▲ - identifica piezas de un conjunto</p>	<p><b>Rellene estos datos cuando realice la instalación para utilizarlos como referencia en el futuro.</b></p> <p>Nº modelo - _____</p> <p>Nº serie - _____</p> <p>Opciones de la máquina - _____</p> <p>Vendedor - _____</p> <p>Nº teléfono vendedor - _____</p> <p>Nº cliente - _____</p> <p>Fecha de instalación - _____</p>
-----------	--	---

<b>FR</b>	<p><b>COMMENT COMMANDER DES PIÈCES DÉTACHÉES - Voir le schéma ci-dessus.</b></p> <p>Utilisez uniquement des pièces fournies par la société TENNANT ou équivalentes. Les pièces et fournitures peuvent être commandées en ligne, par téléphone, fax, ou par courrier.</p> <p>Suivez les étapes ci-dessous pour assurer une livraison rapide.</p> <ol style="list-style-type: none"> <li>1. <b>(A)</b> Identifiez le modèle de la machine.</li> <li>2. <b>(B)</b> Identifiez le numéro de série de la machine, à partir de l'étiquette signalétique.</li> <li>3. <b>(C)</b> Assurez-vous que le numéro de série correct est utilisé à partir de la liste de pièces détachées.</li> <li>4. Identifiez le numéro de pièce et la quantité. Ne commandez pas par page ou numéros de référence.</li> <li>5. Fournissez votre nom, le nom de votre société, votre numéro d'identification de client, l'adresse de facturation et d'expédition, le numéro de téléphone et le numéro du bon de commande.</li> <li>6. Fournissez des instructions d'expédition détaillées.</li> </ol> <hr/> <p><b>(D)</b> ▽ - identifie un assemblage ▲ - identifie les pièces composant l'assemblage</p>	<p><b>A remplir au moment de l'installation à titre de référence.</b></p> <p>Nº du modèle - _____</p> <p>Nº de série - _____</p> <p>Options de la machine - _____</p> <p>Agent commercial - _____</p> <p>Nº tél. de l'agent commercial - _____</p> <p>Numéro d'identification client - _____</p> <p>Date d'installation - _____</p>
-----------	--	---

<b>CN</b>	<p><b>如何订购部件 - 参见下表</b></p> <p>仅使用 TENNANT 公司提供的或同等部件。部件和供应可以在线订购，通过电话、传真或邮件订购。</p> <p>请遵循下面的步骤确保及时交付。</p> <ol style="list-style-type: none"> <li>1. <b>(A)</b> 确定机器型号。</li> <li>2. <b>(B)</b> 从数据标签确定机器序列号。</li> <li>3. <b>(C)</b> 确保使用部件列表中的正确序列号。</li> <li>4. 确定部件号和数量。 不要按页面或参考编号订购。</li> <li>5. 提供您的姓名、公司名称、客户 ID 号、付帐和送货地址、电话号码和采购单编号。</li> <li>6. 提供详细的送货说明。</li> </ol> <hr/> <p><b>(D)</b> ▽ - 确定组件 ▲ - 确定组件中包含的组件</p>	<p><b>请在安装时填写供未来参考。</b></p> <p>型号 - _____</p> <p>序列号 - _____</p> <p>机器选项 - _____</p> <p>销售代表 - _____</p> <p>销售代表电话号码 - _____</p> <p>客户 ID 编号 - _____</p> <p>安装日期 - _____</p>
-----------	--	--

<b>JP</b>	<p><b>パーツの発注方法 ? 上記の図を参照してください</b></p> <p>TENNANT社製のパーツまたは同等品のみをお使いください。パーツやサプライ品のご注文は、オンライン、電話、FAX、または手紙でお願いいたします。</p> <p>確実にお届けできるように、以下の情報お知らせください。</p> <ol style="list-style-type: none"> <li>1. <b>(A)</b> 製品のモデル名をお知らせください。</li> <li>2. <b>(B)</b> 製品のデータラベルに印刷されているシリアル番号をお知らせください。</li> <li>3. <b>(C)</b> パーツリストを参照して、シリアル番号が正しいかご確認ください。</li> <li>4. パーツ番号と数量をお知らせください。マニュアル/カタログのページ番号や参照番号でのご注文はご遠慮ください。</li> <li>5. お客様のお名前、会社名、顧客ID番号、請求/発送先住所、電話番号、注文書番号をお知らせください。</li> <li>6. 発送に関するご希望があれば、明記してください。</li> </ol> <hr/> <p><b>(D)</b> ▽ - アセンブリを示します ▲ - アセンブリに含まれるパーツを示します</p>	<p><b>後日確認できるように、設置時に記入してください。</b></p> <p>モデルNo. - _____</p> <p>シリアルNo. - _____</p> <p>製品のオプション - _____</p> <p>販売代理店 - _____</p> <p>販売代理店の電話番号 - _____</p> <p>顧客ID番号 - _____</p> <p>設置日 - _____</p>
-----------	---	---





**STANDARD PARTS**

---

GENERAL RECOMMENDED MAINTENANCE ITEMS .....	7
BRUSHES AND PAD DRIVER GROUP, 43CM DISK 3- LUG HUB .....	10
BRUSHES AND PAD DRIVER GROUP, 43CM DISK MAGNETIC HUB .....	12
BRUSHES AND PAD DRIVER GROUP, 50CM DISK 3- LUG HUB .....	14
BRUSHES AND PAD DRIVER GROUP, 50CM DISK MAGNETIC HUB .....	16
BRUSHES AND PAD DRIVER GROUP, 60CM DUAL DISK 3- LUG HUB .....	18
BRUSHES AND PAD DRIVER GROUP, 60CM DUAL DISK MAGNETIC HUB .....	20
BRUSHES GROUP, 50CM CYLINDRICAL .....	22
PAD GROUP, 50CM ORBITAL .....	23
SCRUB HEAD GROUP, 43CM DISK, 3- LUG HUB .....	24
SCRUB HEAD GROUP, 43CM DISK, MAGNETIC HUB .....	26
SCRUB HEAD GROUP, 50CM DISK, 3- LUG HUB .....	28
SCRUB HEAD GROUP, 50CM DISK, MAGNETIC HUB .....	30
SCRUB HEAD GROUP, 60CM DUAL DISK, 3- LUG HUB .....	32
SCRUB HEAD GROUP, 60CM DUAL DISK, 3- LUG HUB - CONT'D .....	34
SCRUB HEAD GROUP, 60CM DUAL DISK, MAGNETIC HUB .....	36
SCRUB HEAD GROUP, 60CM DUAL DISK, MAGNETIC HUB - CONT'D .....	38
SCRUB HEAD GROUP, 50CM CYLINDRICAL ..	40
SCRUB HEAD GROUP, 50CM CYLINDRICAL - CONT'D .....	42
SCRUB HEAD GROUP, 50CM ORBITAL .....	44

RECOVERY TANK GROUP, BASE MODEL .....	46
RECOVERY TANK FILTER AND HOSE GROUP, SCREW CAP .....	48
RECOVERY TANK FILTER AND HOSE GROUP, CONTROL VALVE .....	50
SOLUTION TANK GROUP .....	52
FRAME GROUP, PROPEL MODEL .....	54
FRAME GROUP, PUSH MODEL .....	56
MANUAL DOWN PRESSURE GROUP .....	58
SINGLE DOWN PRESSURE GROUP .....	60
SOLUTION GROUP, BASE MODEL .....	62
SOLUTION GROUP, BASE MODEL ec- H2O ...	64
ELECTRICAL COMPONENTS GROUP, BASE MODEL .....	66
LOWER CONSOLE GROUP, ON- BOARD CHARGER .....	68
LOWER CONSOLE GROUP, OFF- BOARD CHARGER .....	70
HANDLE GROUP, BASE PROPEL MODEL ....	72
HANDLE GROUP, BASE PUSH MODEL .....	74
SHROUD GROUP, DISK AND ORBITAL HEAD .	76
SHROUD GROUP, CYLINDRICAL HEAD .....	78
SCRUB HEAD LIFT GROUP, 43CM DISK MODEL .....	80
SCRUB HEAD LIFT GROUP, 50CM DISK MODEL .....	82
SCRUB HEAD LIFT GROUP, 60CM DUAL DISK MODEL .....	84
SCRUB HEAD LIFT GROUP, 50CM CYLINDRICAL MODEL .....	86
SCRUB HEAD LIFT GROUP, 50CM ORBITAL MODEL .....	88
SQUEEGEE ASSEMBLY, 50MM / 20IN .....	90
SQUEEGEE LIFT GROUP .....	92

# TABLE OF CONTENTS

---

## STANDARD PARTS - Cont'd

BATTERY CABLE GROUP .....	94
BATTERY GROUP, 105AH C20 WET .....	96
BATTERY GROUP, 130AH C20 WET .....	97
BATTERY GROUP, 150AH C20 WET .....	98
BATTERY GROUP, 140AH C20 AGM .....	99
LABEL GROUP .....	100
LABEL GROUP - CONT'D .....	102
ELECTRICAL DIAGRAM, PROPEL (S/N 10891949 - ) .....	104
ELECTRICAL DIAGRAM, PROPEL (S/N 10000000 - 10891948) .....	107
ELECTRICAL DIAGRAM, PUSH (S/N 10891710 - ) .....	110
ELECTRICAL DIAGRAM, PUSH (S/N 10000000 - 10891709) .....	113
ELECTRICAL HARNESS, MAIN PROPEL (S/N 10891949 - ) .....	116
ELECTRICAL HARNESS, MAIN PROPEL (S/N 10822349 - 10891948) .....	120
ELECTRICAL HARNESS, MAIN PROPEL (S/N 10000000 - 10822348) .....	124
ELECTRICAL HARNESS, MAIN PUSH (S/N 10891710 - ) .....	128
ELECTRICAL HARNESS, MAIN PUSH (S/N 10825202 - 10891709) .....	132
ELECTRICAL HARNESS, MAIN PUSH (S/N 10000000 - 10825201) .....	136
ELECTRICAL HARNESS, OPTIONS PROPEL ..	140
ELECTRICAL HARNESS, OPTIONS PUSH ....	141
ELECTRICAL HARNESS, BAIL SWITCH .....	142

## OPTIONS

TELEMETRY GROUP .....	144
BATTERY LIFT OUT BOX KIT .....	146
HYDROLINK® BATTERY WATERING SYSTEM KIT .....	148
PARKING BRAKE GROUP .....	150
DOCUMENTATION GROUP .....	151

## BREAKDOWNS

ec- H2O NANOCLEAN MODULE BREAKDOWN .....	152
ORBITAL HEAD ECCENTRIC DRIVE BREAKDOWN .....	154

# RECOMMENDED MAINTENANCE ITEMS

## GENERAL RECOMMENDED MAINTENANCE ITEMS

Part No.	Serial Number	Description	Qty.
1016763	(10000000- 20000000 )	Brush Assy, Disk, Scb, 17.0d, Abr (3- Lug)	1
1016764	(10000000- 20000000 )	Brush Assy, Disk, Scb, 17.0d, Nyl (3- Lug)	1
1016765	(10000000- 20000000 )	Brush Assy, Disk, Scb, 17.0d, Pyp (3- Lug)	1
1213034	(10000000- 20000000 )	Brush Assy, Disk, Scb, 43cm, Mag, Nyl	1
1213035	(10000000- 20000000 )	Brush Assy, Disk, Scb, 43cm, Mag, Pyp	1
1213037	(10000000- 20000000 )	Brush Assy, Disk, Scb, 43cm, Mag, Ab	1
1243350	(10000000- 20000000 )	Pad, Polish, 17.0d, White [1pick=1ctn]	1
1243349	(10000000- 20000000 )	Pad, Buff, 17.0d, Red [1pick=1ctn]	1
1243348	(10000000- 20000000 )	Pad, Scb, 17.0d, Blu [1pick=1ctn]	1
1243664	(10000000- 20000000 )	Pad, Strip, 17.0d Brown [1pick=1ctn]	1
1243663	(10000000- 20000000 )	Pad, Strip, 17.0d Blk[Hi Prod1pick=1ctn]	1
1243669	(10000000- 20000000 )	Pad, Surf Prep, 17.0d Maroon[1pick=1ctn]	1
1240391	(10000000- 20000000 )	Pad, Polish, 17.0d, Yel [1pick=1ctn]	1
1016805	(10000000- 20000000 )	Brush Assy, Disk, Scb, 20.0d, Abr (3- Lug)	1
1016810	(10000000- 20000000 )	Brush Assy, Disk, Scb, 20.0d, Nyl (3- Lug)	1
1016811	(10000000- 20000000 )	Brush Assy, Disk, Scb, 20.0d, Pyp (3- Lug)	1
1210386	(10000000- 20000000 )	Brush Assy, Disk, Scb, 50cm, Mag, Nyl	1
1213032	(10000000- 20000000 )	Brush Assy, Disk, Scb, 50cm, Mag, Pyp	1
1213033	(10000000- 20000000 )	Brush Assy, Disk, Scb, 50cm, Mag, Ab	1
32505	(10000000- 20000000 )	Washer, Flat, 92b 156d 2.6l, Pad Driver	1
1243338	(10000000- 20000000 )	Pad, Polish, 20.0d, White [1pick=1ctn]	1
1243339	(10000000- 20000000 )	Pad, Buff, 20.0d, Red [1pick=1ctn]	1
1243340	(10000000- 20000000 )	Pad, Scb, 20.0d, Blu [1pick=1ctn]	1
1243566	(10000000- 20000000 )	Pad, Stripping 20.0d, Brn [1pick=1ctn]	1
1243661	(10000000- 20000000 )	Pad, Strip, 20.0d Blk[Hi Prod1pick=1ctn]	1
1243670	(10000000- 20000000 )	Pad, Surf Prep, 20.0d Maroon[1pick=1ctn]	1
1240393	(10000000- 20000000 )	Pad, Polish, 20.0d, Yel [1pick=1ctn]	1
1056306	(10000000- 20000000 )	Brush Assy, Disk, Scb, 12.0d, 3- Lug, Nyl	2
1056313	(10000000- 20000000 )	Brush Assy, Disk, Scb, 12.0d, 3- Lug, Pyp	2
1063297	(10000000- 20000000 )	Brush Assy, Disk, Scb, 12.0d, 3- Lug, Abr	2
1210136	(10000000- 20000000 )	Brush Assy, Disk, Scb, 30cm, Mag, Nyl	2
1213040	(10000000- 20000000 )	Brush Assy, Disk, Scb, 30cm, Mag, Pyp	2
1213041	(10000000- 20000000 )	Brush Assy, Disk, Scb, 30cm, Mag, Ab	2
1243345	(10000000- 20000000 )	Pad, Polish, 12.0d, White [1pick=1ctn]	2
1243346	(10000000- 20000000 )	Pad, Buff, 12.0d, Red [1pick=1ctn]	2
1243347	(10000000- 20000000 )	Pad, Scb, 12.0d, Blu [1pick=1ctn]	2
1243662	(10000000- 20000000 )	Pad, Strip, 12.0d Brown [1pick=1ctn]	2
1243671	(10000000- 20000000 )	Pad, Strip, 12.0d Blk[Hi Prod1pick=1ctn]	2
1243665	(10000000- 20000000 )	Pad, Surf Prep, 12.0d Maroon[1pick=1ctn]	2
1240353	(10000000- 20000000 )	Pad, Polish, 12.0d, Yel [1pick=1ctn]	2
1209188	(10000000- 20000000 )	Brush, Scb, 21l, 20sr, Nyl (Cylindrical Model)	2
1212762	(10000000- 20000000 )	Brush, Scb, 21l, 20sr, Pyp (Cylindrical Model)	2
1243351	(10000000- 20000000 )	Pad, Polish, 20 X 14, White [1pick=1ctn] (Orbital Model)	1
1243352	(10000000- 20000000 )	Pad, Buff, 20 X 14, Red [1pick=1ctn] (Orbital Model)	1
1243353	(10000000- 20000000 )	Pad, Scb, 20 X 14, Blu [1pick=1ctn] (Orbital Model)	1
1243672	(10000000- 20000000 )	Pad, Surf Prep, 20x14 Maroon[1pick=1ctn](Orbital Model)	1
1074740	(10000000- 20000000 )	Pad, Scb, 14 X 20, Green [1pick=1ctn] (Orbital Model)	1
1075562	(10000000- 20000000 )	Pad, Stripper, 20 X 14, Blk [1pick=1ctn] (Orbital Model)	1
1228000	(10000000- 20000000 )	Pad, Melamine, 14" X 20" [Case Of 5] (Orbital Model)	1
1240342	(10000000- 20000000 )	Pad, Polish, 20 X 14, Yel [1pick=1ctn] (Orbital Model)	1
1217830	(10000000- 20000000 )	Pad, Backer, 20 X 14 (Orbital Model)	1

# RECOMMENDED MAINTENANCE ITEMS

## GENERAL RECOMMENDED MAINTENANCE ITEMS

	Part No.	Serial Number	Description	Qty.
	1223582	(10000000- 20000000 )	Wheel, Scrbr, 8.00d, W/ Taper (Propel Model)	2
	1223724	(10000000- 20000000 )	Wheel, Scrbr, 8.00d, W/ Brg (Push Model)	2
	1212422	(10000000- 20000000 )	Caster, Swivel [Wicke 224051]	1
∇	1211537	(10000000- 20000000 )	Filter, In- Line, Pf06/Pf06 080m 2.6l Epd	1
▲	1218885	(10000000- 20000000 )	Gasket [Epdm, F/1211537]	1
▲	1218883	(10000000- 20000000 )	Screen, Fltr, 80 Mesh, Ss [W/ Cage]	1
▲	613991	(10000000- 20000000 )	Bowl, Clr, Short, F/1005302	1
∇	9014172	(10000000- 20000000 )	Squeegee Kit, Linatex, Am [T300/E/Ss300]	1
▲	1010560	(10000000- 20000000 )	Wheel, Bmpr, 80d X 25w, Non- Marking	2
▲	630477	(10000000- 20000000 )	Wheel, Pyu, 02.0d 0.38w, Gray	2
▲∇	9015731	(10000000- 20000000 )	Blade Kit, 500mm, Linatex (Standard)	1
▲▲	1203953	(10000000- 20000000 )	Blade, Sqge, Rear, 836l, Linatex[500mm] (Standard)	1
▲▲	1203954	(10000000- 20000000 )	Blade, Sqge, Front, 788l, Linatex[500mm] (Standard)	1
∇	9015732	(10000000- 20000000 )	Blade Kit, 500mm, Urethane (Option)	1
▲	1215609	(10000000- 20000000 )	Blade, Sqge, Rear, 836l, Urethane[500mm] (Option)	1
▲	1215611	(10000000- 20000000 )	Blade, Sqge, Front, 788l, Urethane[500mm] (Option)	1
∇	9015730	(10000000- 20000000 )	Blade Kit, 500mm, Gum (Option)	1
▲	1215610	(10000000- 20000000 )	Blade, Sqge, Rear, 836l, Gum[500mm] (Option)	1
▲	1215612	(10000000- 20000000 )	Blade, Sqge, Front, 788l, Gum[500mm] (Option)	1
	1055019	(10000000- 20000000 )	Bumper, Head, 43cm, W/ Bristle Skirt, Im	1
	1055025	(10000000- 20000000 )	Bumper, Head, 50cm, W/ Bristle Skirt, Im	1
	1072656	(10000000- 20000000 )	Bumper, Head, 60cm, Bristle Skirt	1
	1010560	(10000000- 20000000 )	Wheel, Bmpr, 80d X 25w, Non- Marking (Disk Heads)	1
∇	9011810	(10000000- 20000000 )	Module Kit, Replmt [Ec- H2o, B 02] (See Breakdowns)	1
▲	9013646	(10000000- 20000000 )	Cartridge, Ec- H2o Nanoclean Wcm, 270ml	1
∇	1226976	(10834063- 20000000 )	Motor, Ele, 24vdc 0215rpm 650w, 17mm (43CM & 50CM Disk Head)	1
▲	1227273	(10834063- 20000000 )	Vr, Brush Kit, Motor, Ele (4pc)	1
∇	1210703	(10000000- 10834062 )	Motor, Ele, 24vdc 0200rpm 1.00hp, 17mm (43CM & 50CM Disk Head) (Replaced By 9015159)	1
▲	222606	(10000000- 10834062 )	Vr, Brush Kit, Motor, Ele [lp] (4Pc) (For Imperial Motor - Frame #P56SG681)	1
▲	1045790	(10000000- 10834062 )	Brush Kit, Replmt, Carbon 24vdc[1pk=1set](4Pc) (For Sanrong Motor - Frame #56S)	1
∇	1227280	(10835154- 20000000 )	Motor, 24vdc, 2000rpm, 7/8hp (60CM Disk Head)	1
▲	1059370	(10000000- 20000000 )	Brush, Motor, Replmt [Bag Of 4]	1
∇	1210212	(10000000- 10835153 )	Motor, 24vdc, 2000rpm, 7/8hp, Us (60CM Disk Head) (Replaced By 9015160)	1
▲	1059370	(10000000- 20000000 )	Brush, Motor, Replmt [Bag Of 4]	2
∇	1210202	(10000000- 20000000 )	Motor, Ele, 24vdc [Vw Cyl] (Cylindrical Head)	1
▲	1059370	(10000000- 20000000 )	Brush, Motor, Replmt [Bag Of 4]	1
∇	1226909	(10827598- 20000000 )	Motor, Ele, 24vdc, 2200rpm, .6hp, 22mm (Orbital Head)	1
▲	1059370	(10000000- 20000000 )	Brush, Motor, Replmt [Bag Of 4]	1
∇	1212669	(10000000- 10827597 )	Motor, Ele, 24vdc, 2200rpm, .6hp, 22mm (Orbital Head) (Replaced By 9015162)	1
▲	1059370	(10000000- 20000000 )	Brush, Motor, Replmt [Bag Of 4]	1
	1055305	(10000000- 20000000 )	Belt, Drive, 6pj, Ej139 [T3] (60CM Disk Head)	1
∇	9014166	(10000000- 20000000 )	Kit, Belt, Motor (Includes Installation Tool) (Cyl Head)	1
▲	1213132	(10000000- 20000000 )	Tool, Installation, Belt	1
	1215666	(10000000- 20000000 )	Skirt, Side, Cyl, Floating (Cylindrical Head)	2
	630477	(10000000- 20000000 )	Wheel, Pyu, 02.0d 0.38w, Gray (Cylindrical Head)	4

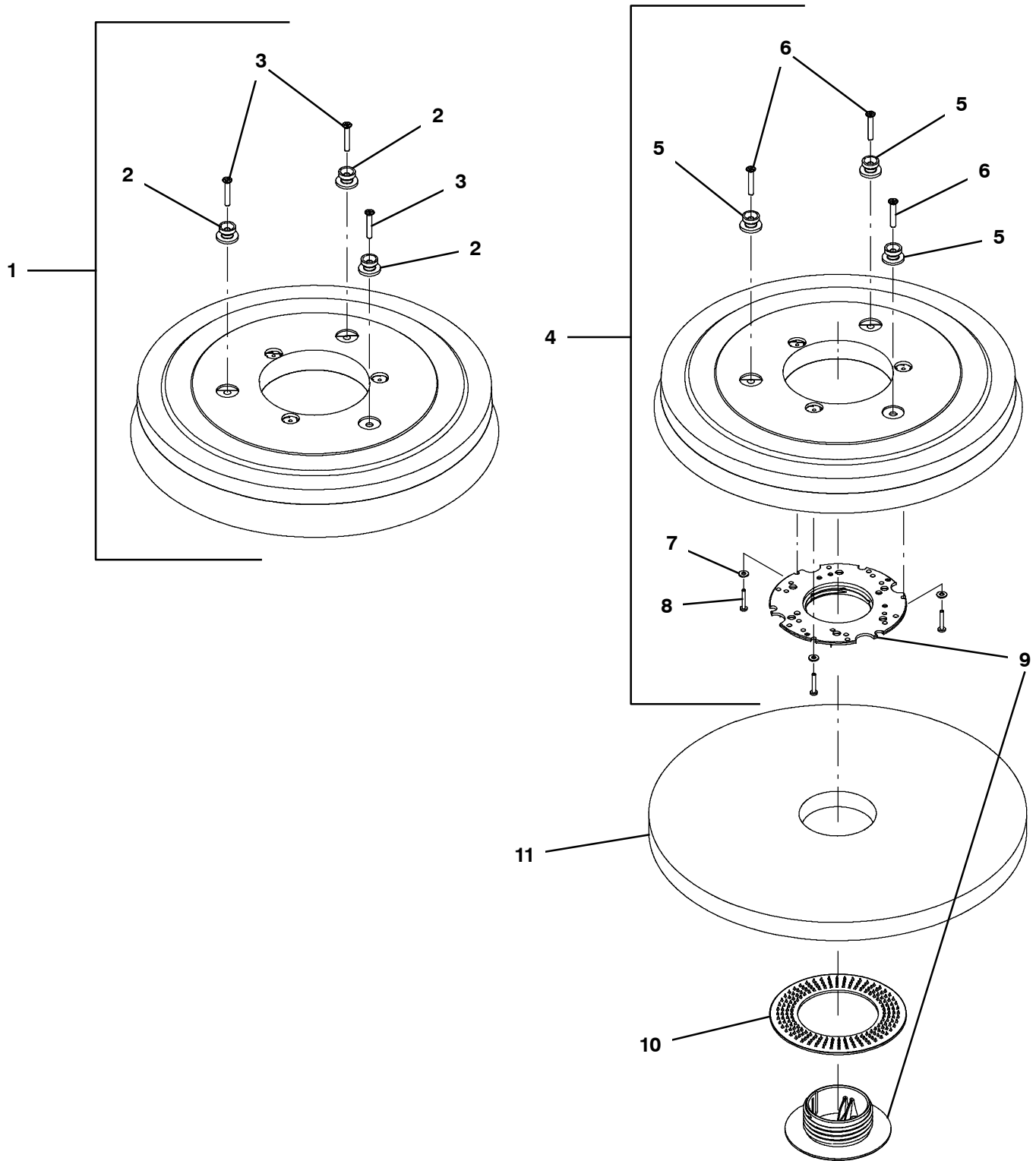
# RECOMMENDED MAINTENANCE ITEMS

## GENERAL RECOMMENDED MAINTENANCE ITEMS

	<b>Part No.</b>	<b>Serial Number</b>	<b>Description</b>	<b>Qty.</b>
▽	1219312	(10000000- 20000000 )	Fan, Vacuum, 5.7d, 024vdc, 2 Stage	1
▲	372883	(10000000- 20000000 )	Vr, Brush Kit, Motor, Ele (1 Pkg = 2 Pcs)	1
▽	1216386	(10000000- 20000000 )	Motor, Transaxle, 24vdc, Replmt [UI, Ce]	1
▲	1212351	(10000000- 20000000 )	Brush Kit, Carbon, Transaxle, UI (1 Kit = 4 Pcs)	1
▽	9014872	(10785189- 20000000 )	Kit, Deflector, Tray, Debris, Cl, [T300]	1
▲	1225187	(10785189- 20000000 )	Seal, Rbr, Clsd, 12.7 <sup>Th</sup> , 24.0Id, 40.0Od	1
▲	1207357	(10000000- 20000000 )	Tray, Debris, Tank, Recvy [T300]	1
	9014905	(10786729- 20000000 )	Cover Kit, Circuitbreaker, Ci[T300/E/Ss]	1
	630052	(10000000- 20000000 )	Float, Shut- Off, (2)Ball, 1.75d	1
▽	1213008	(10000000- 20000000 )	Hose Assy, Drain, 1.5d 025l 1.5/Cap [Pu] (Gray)	1
▲	1219134	(10000000- 20000000 )	Cap, Drain Assy [Gray]	1
▽	1213010	(10000000- 20000000 )	Hose Assy, Drain, 1.5d 017l 1.5/Cap[Pvc] (Black)	1
▲	1218955	(10000000- 20000000 )	Cap, Drain Assy [Black]	1
	1204663	(10000000- 20000000 )	Hose Assy, W/2cuff,1.5d 026l 1.5/1.5[Pu] (Gray)	1
	1211220	(10000000- 20000000 )	Hose Assy,W/2cuff,1.5d 022l 1.5/1.5[Pvc] (Black)	1
▽	9014171	(10000000- 20000000 )	Hose Assy, With Valve	1
▲	1051986	(10000000- 20000000 )	Valve, Ball, 2way, 1.0Id Pvc, W/Handle	1
▲	1222591	(10000000- 20000000 )	Hose Assy, 45cuff,1.5d 021l 1.5/1.5[Pu] (Gray)	1
	1210472	(10000000- 20000000 )	Seal, Afmkt, Bulb, 0.50d .13grip, 05ft (Rec Tank Lid)	1
	1046428	(10000000- 20000000 )	Seal, Afmkt, Rbr, Clsd, Adh, 02ft (Front Fill Cover)	1

BRUSHES AND PAD DRIVER GROUP, 43CM DISK 3- LUG HUB

355330



## BRUSHES AND PAD DRIVER GROUP, 43CM DISK 3- LUG HUB

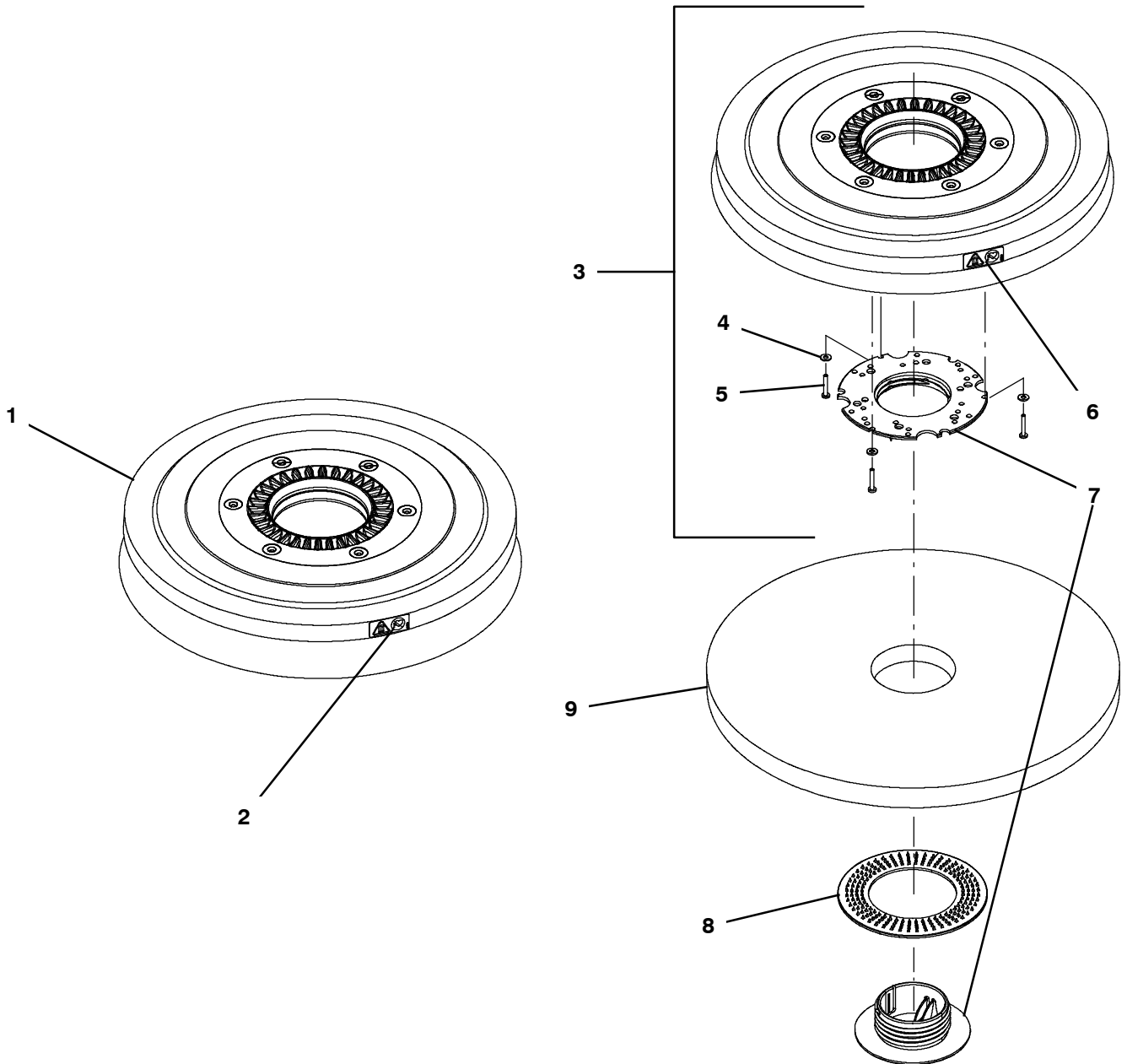
Ref.	Part No.	Serial Number	Description	Qty.
▽	1	1016763	(10000000- 20000000 ) Brush Assy, Disk, Scb, 17.0d, Abr	1
▽	1	1016764	(10000000- 20000000 ) Brush Assy, Disk, Scb, 17.0d, Nyl	1
▽	1	1016765	(10000000- 20000000 ) Brush Assy, Disk, Scb, 17.0d, Pyp	1
▲	2	1013018	(10000000- 20000000 ) Stud, Drive, Brush Pad	3
▲	3	1021316	(10000000- 20000000 ) Screw, Flt, Phl, M6 X 1.00 X 35, Ss	3
▽	4	1212965	(10000000- 20000000 ) Driver Assy, Pad, 43cm, Brush, 3 Lug	1
▲	5	1013018	(10000000- 20000000 ) Stud, Drive, Brush Pad	3
▲	6	1021316	(10000000- 20000000 ) Screw, Flt, Phl, M6 X 1.00 X 35, Ss	3
▲	7	41579	(10000000- 20000000 ) Washer, Flat, 08, Ss	3
▲	8	04403	(10000000- 20000000 ) Screw, Pan, Phl, M4 X 0.70 X 25, Nl, Ss	3
▲	9	32506	(10000000- 20000000 ) Device, Centering, Rh Pad Retainer	1
	10	32505	(10000000- 20000000 ) Washer, Flat, 92b 156d 2.6l, Pad Driver	1
	11	1243350	(10000000- 20000000 ) Pad, Polish, 17.0d, White [1pick=1ctn]	1
	11	1243349	(10000000- 20000000 ) Pad, Buff, 17.0d, Red [1pick=1ctn]	1
	11	1243348	(10000000- 20000000 ) Pad, Scb, 17.0d, Blu [1pick=1ctn]	1
	11	1243664	(10000000- 20000000 ) Pad, Strip, 17.0d Brown [1pick=1ctn]	1
	11	1243663	(10000000- 20000000 ) Pad, Strip, 17.0d Blk[Hi Prod1pick=1ctn]	1
	11	1243669	(10000000- 20000000 ) Pad, Surf Prep, 17.0d Maroon[1pick=1ctn]	1
	11	1240391	(10000000- 20000000 ) Pad, Polish, 17.0d, Yel [1pick=1ctn]	1

▽ ASSEMBLY

▲ INCLUDED IN ASSEMBLY

BRUSHES AND PAD DRIVER GROUP, 43CM DISK MAGNETIC HUB

355338





**BRUSHES AND PAD DRIVER GROUP, 43CM DISK MAGNETIC HUB**

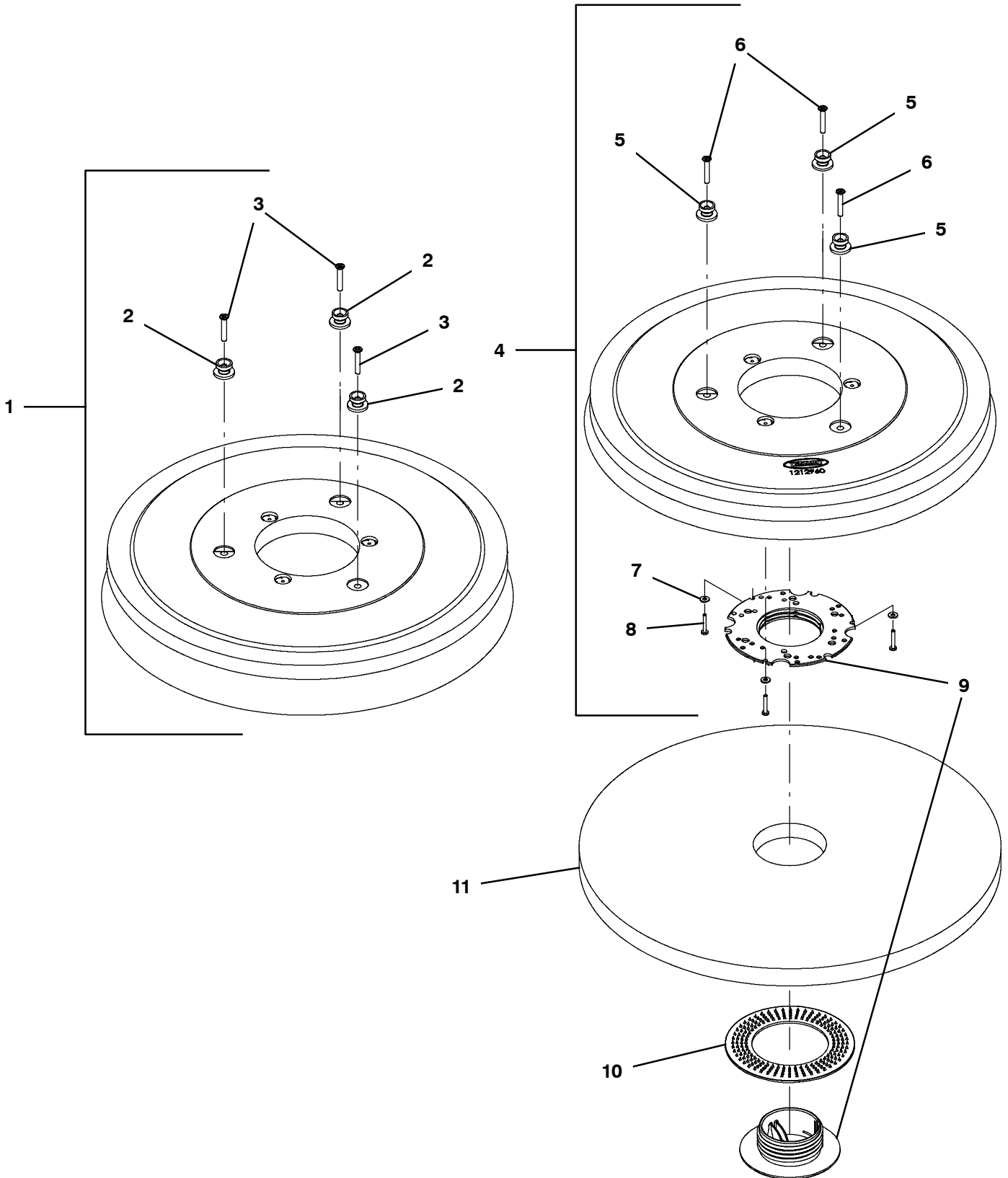
	<b>Ref.</b>	<b>Part No.</b>	<b>Serial Number</b>	<b>Description</b>	<b>Qty.</b>
▽	1	1213034	(10000000- 20000000 )	Brush Assy, Disk, Scb, 43cm, Mag, Nyl	1
▽	1	1213035	(10000000- 20000000 )	Brush Assy, Disk, Scb, 43cm, Mag, Pyp	1
▽	1	1213037	(10000000- 20000000 )	Brush Assy, Disk, Scb, 43cm, Mag, Ab	1
▲	2	1218392	(10000000- 20000000 )	Label, Safety, Magnet, Med	1
▽	3	1211869	(10000000- 20000000 )	Driver Assy, Pad, 43cm, Brush, Magnetic	1
▲	4	41579	(10000000- 20000000 )	Washer, Flat, 08, Ss	3
▲	5	1212542	(10000000- 20000000 )	Screw, Pan, Phl, M4 X 0.70 X 12, NI, Ss	3
▲	6	1218392	(10000000- 20000000 )	Label, Safety, Magnet, Med	1
▲	7	32506	(10000000- 20000000 )	Device, Centering, Rh Pad Retainer	1
	8	32505	(10000000- 20000000 )	Washer, Flat, 92b 156d 2.6l, Pad Driver	1
	9	1243350	(10000000- 20000000 )	Pad, Polish, 17.0d, White [1pick=1ctn]	1
	9	1243349	(10000000- 20000000 )	Pad, Buff, 17.0d, Red [1pick=1ctn]	1
	9	1243348	(10000000- 20000000 )	Pad, Scb, 17.0d, Blu [1pick=1ctn]	1
	9	1243664	(10000000- 20000000 )	Pad, Strip, 17.0d Brown [1pick=1ctn]	1
	9	1243663	(10000000- 20000000 )	Pad, Strip, 17.0d Blk[Hi Prod1pick=1ctn]	1
	9	1243669	(10000000- 20000000 )	Pad, Surf Prep, 17.0d Maroon[1pick=1ctn]	1
	9	1240391	(10000000- 20000000 )	Pad, Polish, 17.0d, Yel [1pick=1ctn]	1

▽ ASSEMBLY

▲ INCLUDED IN ASSEMBLY

BRUSHES AND PAD DRIVER GROUP, 50CM DISK 3- LUG HUB

355331



## BRUSHES AND PAD DRIVER GROUP, 50CM DISK 3- LUG HUB

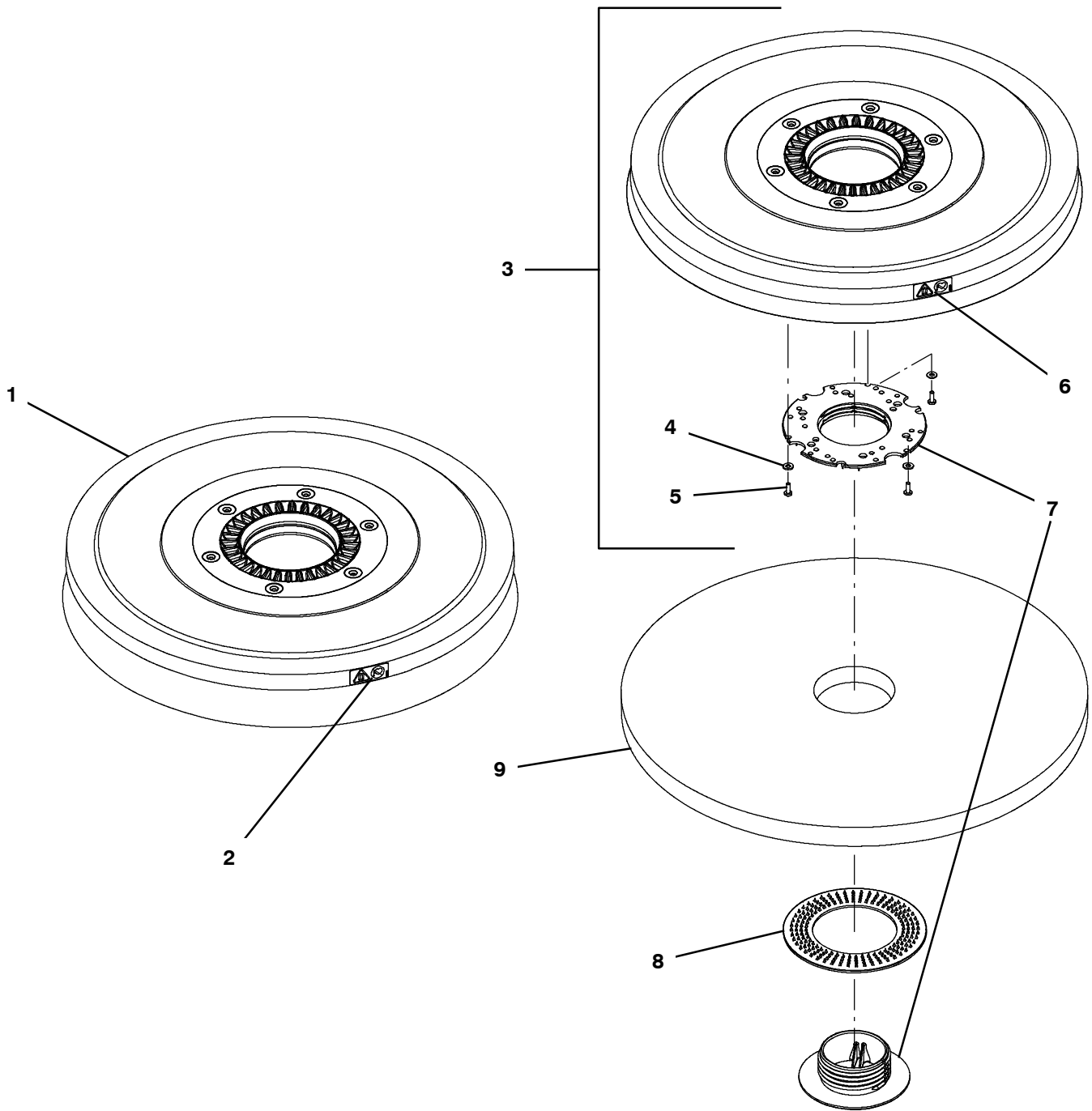
Ref.	Part No.	Serial Number	Description	Qty.
▽	1	1016805	(10000000- 20000000 ) Brush Assy, Disk, Scb, 20.0d, Abr	1
▽	1	1016810	(10000000- 20000000 ) Brush Assy, Disk, Scb, 20.0d, Nyl	1
▽	1	1016811	(10000000- 20000000 ) Brush Assy, Disk, Scb, 20.0d, Pyp	1
▲	2	1013018	(10000000- 20000000 ) Stud, Drive, Brush Pad	3
▲	3	1021316	(10000000- 20000000 ) Screw, Flt, Phl, M6 X 1.00 X 35, Ss	3
▽	4	1212960	(10000000- 20000000 ) Driver Assy, Pad, 50cm, Brush, 3 Lug	1
▲	5	1013018	(10000000- 20000000 ) Stud, Drive, Brush Pad	3
▲	6	1021316	(10000000- 20000000 ) Screw, Flt, Phl, M6 X 1.00 X 35, Ss	3
▲	7	41579	(10000000- 20000000 ) Washer, Flat, 08, Ss	3
▲	8	04403	(10000000- 20000000 ) Screw, Pan, Phl, M4 X 0.70 X 25, Nl, Ss	3
▲	9	32506	(10000000- 20000000 ) Device, Centering, Rh Pad Retainer	1
	10	32505	(10000000- 20000000 ) Washer, Flat, 92b 156d 2.6l, Pad Driver	1
	11	1243338	(10000000- 20000000 ) Pad, Polish, 20.0d, White [1pick=1ctn]	1
	11	1243339	(10000000- 20000000 ) Pad, Buff, 20.0d, Red [1pick=1ctn]	1
	11	1243340	(10000000- 20000000 ) Pad, Scb, 20.0d, Blu [1pick=1ctn]	1
	11	1243566	(10000000- 20000000 ) Pad, Stripping 20.0d, Brn [1pick=1ctn]	1
	11	1243661	(10000000- 20000000 ) Pad, Strip, 20.0d Blk[Hi Prod1pick=1ctn]	1
	11	1243670	(10000000- 20000000 ) Pad, Surf Prep, 20.0d Maroon[1pick=1ctn]	1
	11	1240393	(10000000- 20000000 ) Pad, Polish, 20.0d, Yel [1pick=1ctn]	1

▽ ASSEMBLY

▲ INCLUDED IN ASSEMBLY

BRUSHES AND PAD DRIVER GROUP, 50CM DISK MAGNETIC HUB

355339



## BRUSHES AND PAD DRIVER GROUP, 50CM DISK MAGNETIC HUB

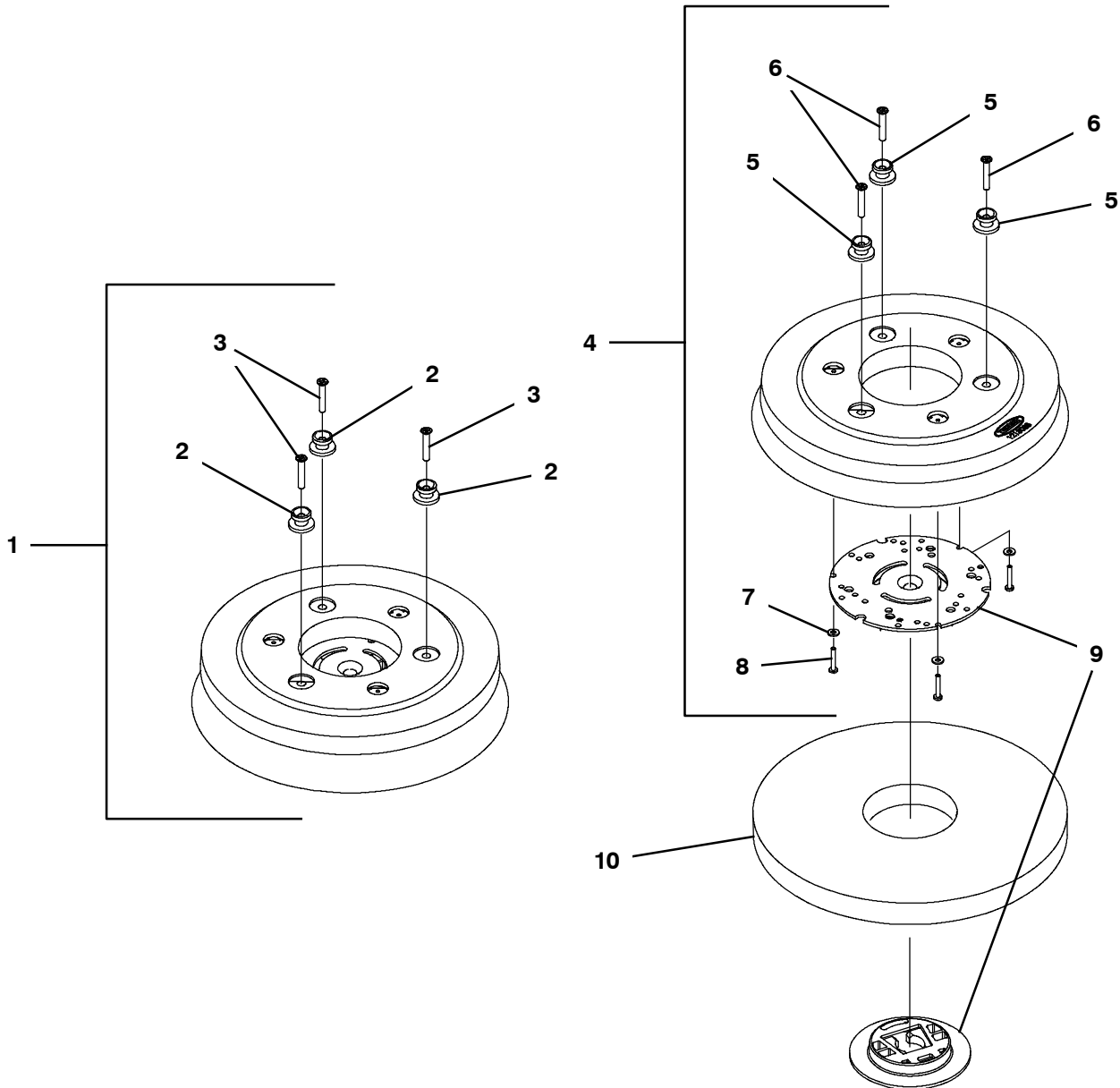
	Ref.	Part No.	Serial Number	Description	Qty.
▽	1	1210386	(10000000- 20000000 )	Brush Assy, Disk, Scb, 50cm, Mag, Nyl	1
▽	1	1213032	(10000000- 20000000 )	Brush Assy, Disk, Scb, 50cm, Mag, Pyp	1
▽	1	1213033	(10000000- 20000000 )	Brush Assy, Disk, Scb, 50cm, Mag, Ab	1
▲	2	1218392	(10000000- 20000000 )	Label, Safety, Magnet, Med	1
▽	3	1209197	(10000000- 20000000 )	Driver Assy, Pad, 50cm, Brush, Magnetic	1
▲	4	41579	(10000000- 20000000 )	Washer, Flat, 08, Ss	3
▲	5	1212542	(10000000- 20000000 )	Screw, Pan, Phl, M4 X 0.70 X 12, NI, Ss	3
▲	6	1218392	(10000000- 20000000 )	Label, Safety, Magnet, Med	1
▲	7	32506	(10000000- 20000000 )	Device, Centering, Rh Pad Retainer	1
	8	32505	(10000000- 20000000 )	Washer, Flat, 92b 156d 2.6l, Pad Driver	1
	9	1243338	(10000000- 20000000 )	Pad, Polish, 20.0d, White [1pick=1ctn]	1
	9	1243339	(10000000- 20000000 )	Pad, Buff, 20.0d, Red [1pick=1ctn]	1
	9	1243340	(10000000- 20000000 )	Pad, Scb, 20.0d, Blu [1pick=1ctn]	1
	9	1243566	(10000000- 20000000 )	Pad, Stripping 20.0d, Brn [1pick=1ctn]	1
	9	1243661	(10000000- 20000000 )	Pad, Strip, 20.0d Blk[Hi Prod1pick=1ctn]	1
	9	1243670	(10000000- 20000000 )	Pad, Surf Prep, 20.0d Maroon[1pick=1ctn]	1
	9	1240393	(10000000- 20000000 )	Pad, Polish, 20.0d, Yel [1pick=1ctn]	1

▽ ASSEMBLY

▲ INCLUDED IN ASSEMBLY

BRUSHES AND PAD DRIVER GROUP, 60CM DUAL DISK 3-LUG HUB

355332



## BRUSHES AND PAD DRIVER GROUP, 60CM DUAL DISK 3- LUG HUB

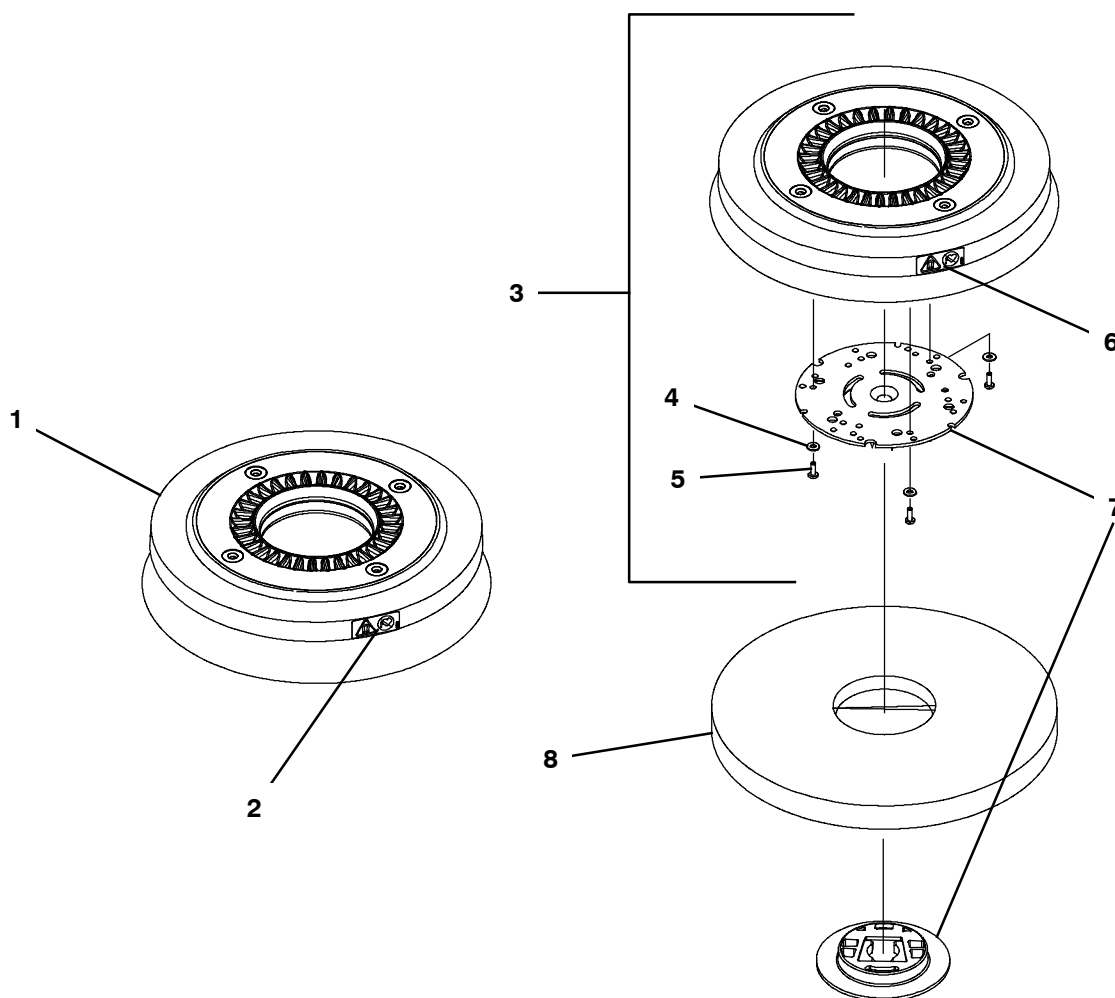
Ref.	Part No.	Serial Number	Description	Qty.
▽	1	1056306	(10000000- 20000000 ) Brush Assy, Disk, Scb, 12.0d, 3- Lug, Nyl	2
▽	1	1056313	(10000000- 20000000 ) Brush Assy, Disk, Scb, 12.0d, 3- Lug, Pyp	2
▽	1	1063297	(10000000- 20000000 ) Brush Assy, Disk, Scb, 12.0d, 3- Lug, Abr	2
▲	2	1055558	(10000000- 20000000 ) Mount, Lug, Pad- Driver [T3]	3
▲	3	1021316	(10000000- 20000000 ) Screw, Flt, Phl, M6 X 1.00 X 35, Ss	3
▽	4	1213038	(10000000- 20000000 ) Driver Assy, Pad, 30cm, Brush, 3 Lug	2
▲	5	1055558	(10000000- 20000000 ) Mount, Lug, Pad- Driver [T3]	3
▲	6	1021316	(10000000- 20000000 ) Screw, Flt, Phl, M6 X 1.00 X 35, Ss	3
▲	7	41579	(10000000- 20000000 ) Washer, Flat, 08, Ss	3
▲	8	04403	(10000000- 20000000 ) Screw, Pan, Phl, M4 X 0.70 X 25, NI, Ss	3
▲	9	370095	(10000000- 20000000 ) Device, Centering, Clip On, TI [Gf Pp]	1
	10	1243345	(10000000- 20000000 ) Pad, Polish, 12.0d, White [1pick=1ctn]	2
	10	1243346	(10000000- 20000000 ) Pad, Buff, 12.0d, Red [1pick=1ctn]	2
	10	1243347	(10000000- 20000000 ) Pad, Scb, 12.0d, Blu [1pick=1ctn]	2
	10	1243662	(10000000- 20000000 ) Pad, Strip, 12.0d Brown [1pick=1ctn]	2
	10	1243671	(10000000- 20000000 ) Pad, Strip, 12.0d Blk[Hi Prod1pick=1ctn]	2
	10	1243665	(10000000- 20000000 ) Pad, Surf Prep, 12.0d Maroon[1pick=1ctn]	2
	10	1240353	(10000000- 20000000 ) Pad, Polish, 12.0d, Yel [1pick=1ctn]	2

▽ ASSEMBLY

▲ INCLUDED IN ASSEMBLY

BRUSHES AND PAD DRIVER GROUP, 60CM DUAL DISK MAGNETIC HUB

355340





## BRUSHES AND PAD DRIVER GROUP, 60CM DUAL DISK MAGNETIC HUB

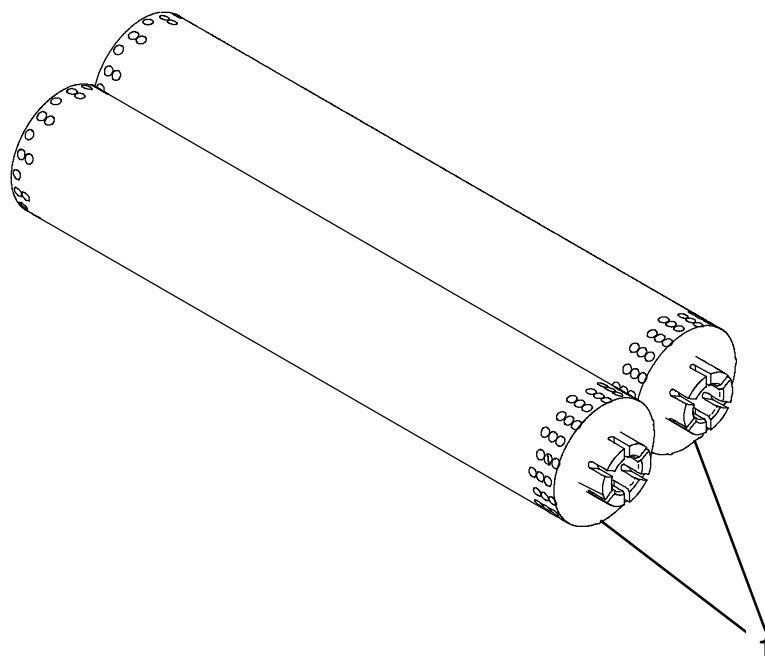
Ref.	Part No.	Serial Number	Description	Qty.
▽	1	1210136	(10000000- 20000000 ) Brush Assy, Disk, Scb, 30cm, Mag, Nyl	2
▽	1	1213040	(10000000- 20000000 ) Brush Assy, Disk, Scb, 30cm, Mag, Pyp	2
▽	1	1213041	(10000000- 20000000 ) Brush Assy, Disk, Scb, 30cm, Mag, Ab	2
▲	2	1218392	(10000000- 20000000 ) Label, Safety, Magnet, Med	1
▽	3	1209160	(10000000- 20000000 ) Driver Assy, Pad, 30cm, [Magnetic]	2
▲	4	41579	(10000000- 20000000 ) Washer, Flat, 08, Ss	3
▲	5	1212542	(10000000- 20000000 ) Screw, Pan, Phl, M4 X 0.70 X 12, Ni, Ss	3
▲	6	1218392	(10000000- 20000000 ) Label, Safety, Magnet, Med	1
▲	7	370095	(10000000- 20000000 ) Device, Centering, Clip On, Tl [Gf Pp]	1
	8	1243345	(10000000- 20000000 ) Pad, Polish, 12.0d, White [1pick=1ctn]	2
	8	1243346	(10000000- 20000000 ) Pad, Buff, 12.0d, Red [1pick=1ctn]	2
	8	1243347	(10000000- 20000000 ) Pad, Scb, 12.0d, Blu [1pick=1ctn]	2
	8	1243662	(10000000- 20000000 ) Pad, Strip, 12.0d Brown [1pick=1ctn]	2
	8	1243671	(10000000- 20000000 ) Pad, Strip, 12.0d Blk[Hi Prod1pick=1ctn]	2
	8	1243665	(10000000- 20000000 ) Pad, Surf Prep, 12.0d Maroon[1pick=1ctn]	2
	8	1240353	(10000000- 20000000 ) Pad, Polish, 12.0d, Yel [1pick=1ctn]	2

▽ ASSEMBLY

▲ INCLUDED IN ASSEMBLY

## BRUSHES GROUP, 50CM CYLINDRICAL

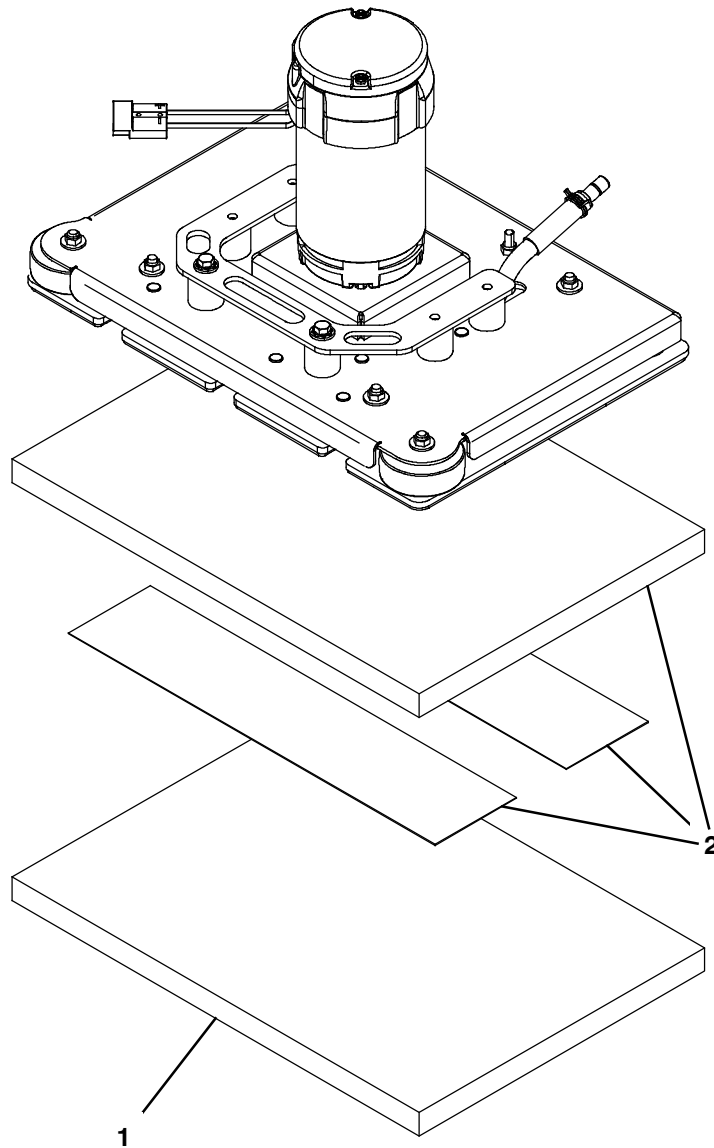
355333



Ref.	Part No.	Serial Number	Description	Qty.
1	1209188	(10000000-20000000 )	Brush, Scb, 21l, 20sr, Nyl	2
1	1212762	(10000000-20000000 )	Brush, Scb, 21l, 20sr, Pyp	2

PAD GROUP, 50CM ORBITAL

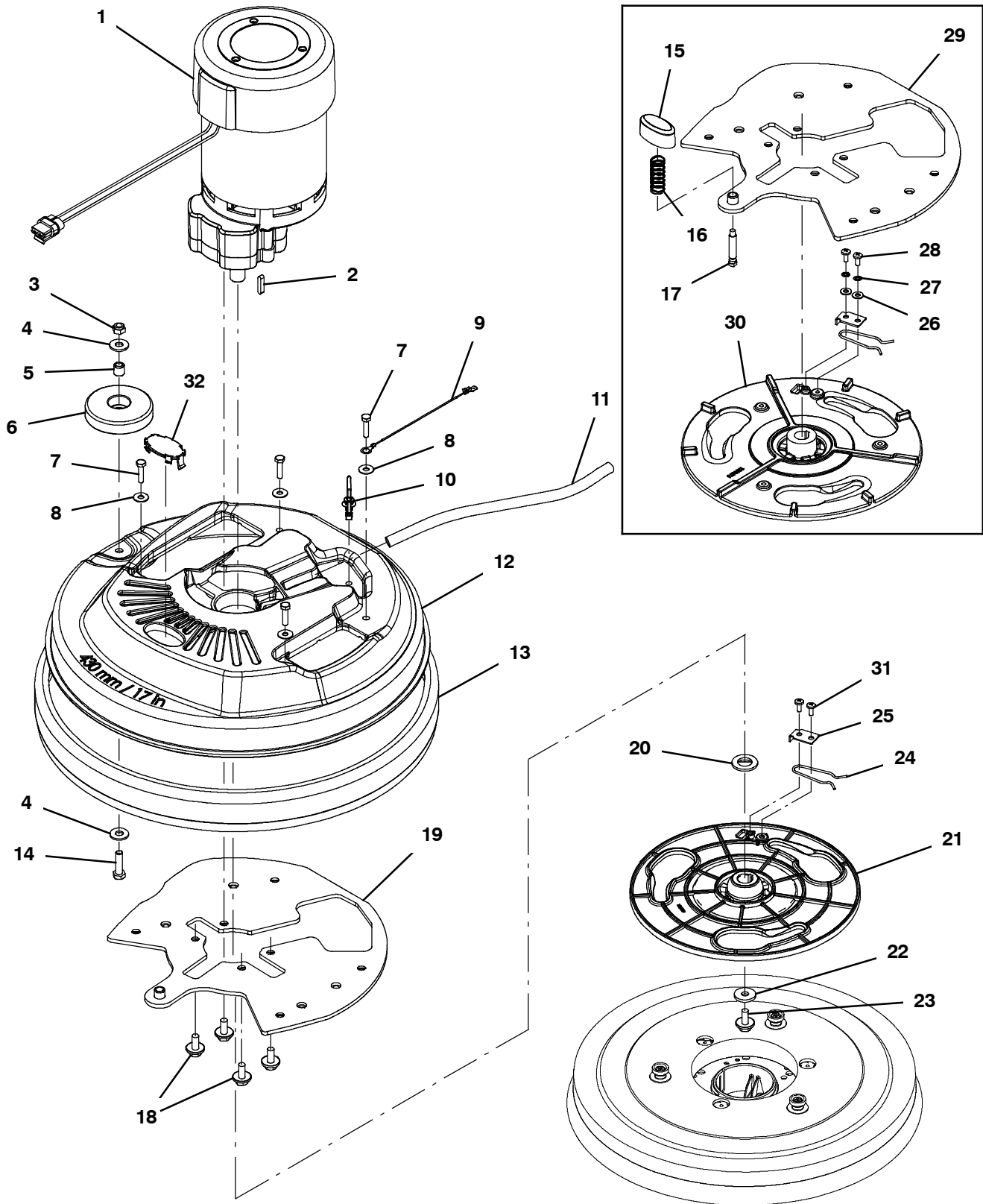
355334



Ref.	Part No.	Serial Number	Description	Qty.
1	1243351	(10000000- 20000000 )	Pad, Polish, 20 X 14, White [1pick=1ctn]	1
1	1243352	(10000000- 20000000 )	Pad, Buff, 20 X 14, Red [1pick=1ctn]	1
1	1243353	(10000000- 20000000 )	Pad, Scb, 20 X 14, Blu [1pick=1ctn]	1
1	1243672	(10000000- 20000000 )	Pad, Surf Prep, 20x14 Maroon[1pick=1ctn]	1
1	1074740	(10000000- 20000000 )	Pad, Scb, 14 X 20, Green [1pick=1ctn]	1
1	1075562	(10000000- 20000000 )	Pad, Stripper, 20 X 14, Blk [1pick=1ctn]	1
1	1228000	(10000000- 20000000 )	Pad, Melamine, 14" X 20" [Case Of 5]	1
1	1240342	(10000000- 20000000 )	Pad, Polish, 20 X 14, Yel [1pick=1ctn]	1
2	1217830	(10000000- 20000000 )	Pad, Backer, 20 X 14 (Includes Hook & Loop Fastener)	1

SCRUB HEAD GROUP, 43CM DISK, 3-LUG HUB

355290



## SCRUB HEAD GROUP, 43CM DISK, 3-LUG HUB

Ref.	Part No.	Serial Number	Description	Qty.
▽	1	1226976	(10834063- 20000000 ) Motor, Ele, 24vdc 0215rpm 650w, 17mm	1
▲		1227273	(10834063- 20000000 ) Vr, Brush Kit, Motor, Ele (4pc)	1
▲	2	1014328	(10000000- 20000000 ) Key, Sq, 05mm X 05mm, 25mml	1
▽	1	1210703	(10000000- 10834062 ) Motor, Ele, 24vdc 0200rpm 1.00hp, 17mm (Replaced By 9015159)	1
▲		222606	(10000000- 10834062 ) Vr, Brush Kit, Motor, Ele [lp] (4Pc) (For Imperial Motor - Frame #P56SG681)	1
▲		1045790	(10000000- 10834062 ) Brush Kit, Replmt, Carbon 24vdc[1pk=1set](4Pc) (For Sanrong Motor - Frame #56S)	1
▲	2	1014328	(10000000- 20000000 ) Key, Sq, 05mm X 05mm, 25mml	1
	3	08713	(10000000- 20000000 ) Nut, Hex, Lock, M8 X 1.25, NI, Ss	1
	4	01685	(10000000- 20000000 ) Washer, Flat, 0.38b 0.88d .08, Ss	2
	5	222460	(10000000- 20000000 ) Sleeve, P/M, 0.32b 0.50d 0.5l [430ss]	1
	6	1010560	(10000000- 20000000 ) Wheel, Bmpr, 80d X 25w, Non-Marking	1
	7	1016005	(10000000- 20000000 ) Screw, Hex, M6 X 1.00 X 25, NI, FI, Ss	4
	8	01684	(10000000- 20000000 ) Washer, Flat, 0.27b 0.69d .05, Ss	4
	9	1074344	(10000000- 20000000 ) Harness, Ele [Ring With .250m Tail]	1
	10	1210807	(10000000- 20000000 ) Wire, Tie [W/.25" Fir Tree Clip]	1
	11	9014145	(10000000- 20000000 ) Hose, Afmkt, Pe, .375id .50od, 05ft	1
	12	1212324	(10000000- 20000000 ) Housing, Head, 43cm	1
	13	1055019	(10000000- 20000000 ) Bumper, Head, 43cm, W/ Bristle Skirt, Im	1
	14	1016399	(10000000- 20000000 ) Screw, Hex, M8 X 1.25 X 30, NI, Ss	1
	15	1211242	(10000000- 10791637 ) Button, Plunger, Pad	1
	16	1212785	(10000000- 10791637 ) Spring, Cmpr, .66od, .05wir, 1.75l, Ss	1
	17	1211907	(10000000- 10791637 ) Pin, Stop, Short	1
	18	1020341	(10000000- 20000000 ) Screw, Hex, M8 X 1.25 X 20, Ss, Sems	4
	19	1223980	(10802498- 20000000 ) Plate Wldt, Head, Weighted	1
	20	1022549	(10000000- 20000000 ) Spacer, Shaft, 17.15b 30.0d 3.0l, Ss	1
	21	1219855	(10791638- 20000000 ) Hub, Drive, 3lug, Alm- Nyl, 17mm[T2,T300]	1
	22	1017218	(10000000- 20000000 ) Washer, Flat, 0.32b 1.00d .12, Ss	1
	23	1020341	(10000000- 20000000 ) Screw, Hex, M8 X 1.25 X 20, Ss, Sems	1
	24	1013188	(10748031- 20000000 ) Clip, Spring, Drive Hub, Release [T3]	1
	25	1011201	(10748031- 20000000 ) Plate, Drive Hub, Release Clip [T3]	1
	26	01683	(10748031- 10791637 ) Washer, Flat, 10, Ss	2
	27	07514	(10748031- 10791637 ) Washer, Lock, Int, 10, Ss	2
	28	09200	(10748031- 10791637 ) Screw, Pan, Phl, M5 X 0.80 X 12, Ss	2
	29	1210590	(10000000- 10802497 ) Plate Wldt, Head, Weighted (Replaced By Kit 9014801)	1
	30	1210676	(10000000- 10791637 ) Hub, Drive, 3 Lug [Machined] (Replaced By Kit 9014623)	1
	31	140197	(10791638- 20000000 ) Screw, Trs, Phl, 10- 24 X 0.38, Sems, Ss	2
	32	1221972	(10791638- 20000000 ) Plug, Hole, Oval, Head, Hsng, Abs [T300]	1

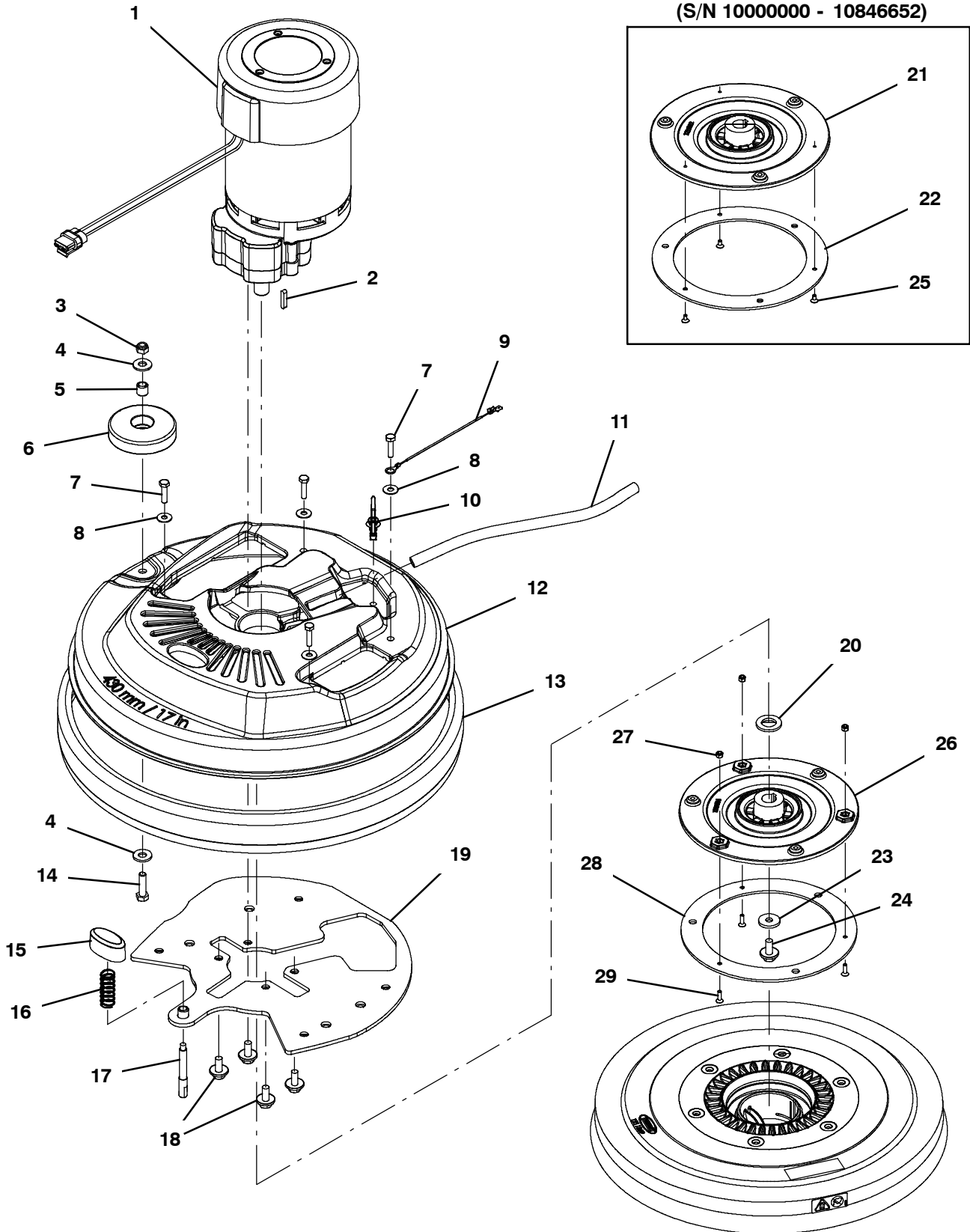
▽ ASSEMBLY

▲ INCLUDED IN ASSEMBLY

SCRUB HEAD GROUP, 43CM DISK, MAGNETIC HUB

355294

(S/N 1000000 - 10846652)



## SCRUB HEAD GROUP, 43CM DISK, MAGNETIC HUB

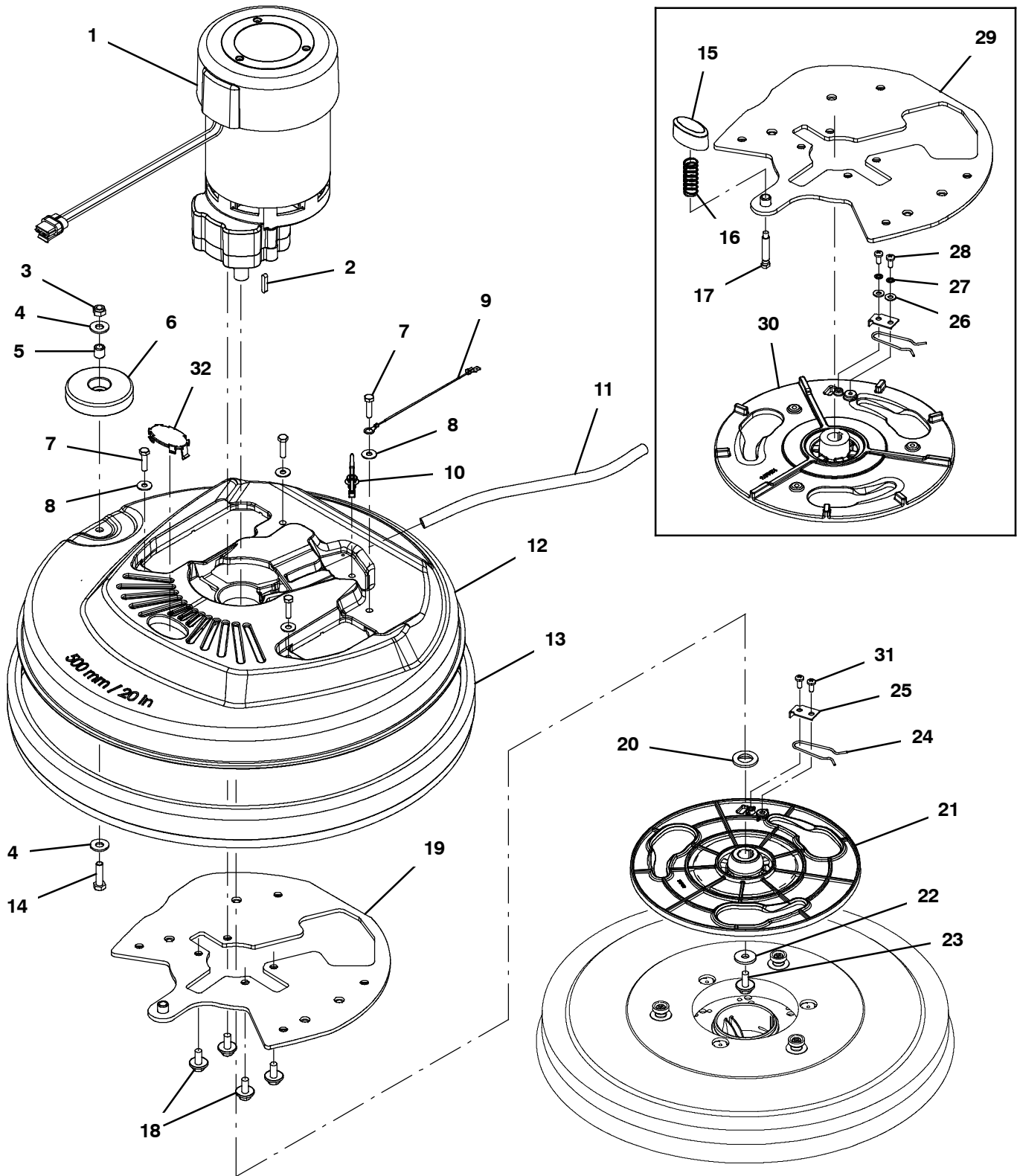
Ref.	Part No.	Serial Number	Description	Qty.
▽	1	1226976	(10834063- 20000000 ) Motor, Ele, 24vdc 0215rpm 650w, 17mm	1
▲		1227273	(10834063- 20000000 ) Vr, Brush Kit, Motor, Ele (4pc)	1
▲	2	1014328	(10000000- 20000000 ) Key, Sq, 05mm X 05mm, 25mml	1
▽	1	1210703	(10000000- 10834062 ) Motor, Ele, 24vdc 0200rpm 1.00hp, 17mm (Replaced By 9015159)	1
▲		222606	(10000000- 10834062 ) Vr, Brush Kit, Motor, Ele [lp] (4Pc) (For Imperial Motor - Frame #P56SG681)	1
▲		1045790	(10000000- 10834062 ) Brush Kit, Replmt, Carbon 24vdc[1pk=1set](4Pc) (For Sanrong Motor - Frame #56S)	1
▲	2	1014328	(10000000- 20000000 ) Key, Sq, 05mm X 05mm, 25mml	1
	3	08713	(10000000- 20000000 ) Nut, Hex, Lock, M8 X 1.25, NI, Ss	1
	4	01685	(10000000- 20000000 ) Washer, Flat, 0.38b 0.88d .08, Ss	2
	5	222460	(10000000- 20000000 ) Sleeve, P/M, 0.32b 0.50d 0.5l [430ss]	1
	6	1010560	(10000000- 20000000 ) Wheel, Bmpr, 80d X 25w, Non- Marking	1
	7	1016005	(10000000- 20000000 ) Screw, Hex, M6 X 1.00 X 25, NI, FI, Ss	4
	8	01684	(10000000- 20000000 ) Washer, Flat, 0.27b 0.69d .05, Ss	4
	9	1074344	(10000000- 20000000 ) Harness, Ele [Ring With .250m Tail]	1
	10	1210807	(10000000- 20000000 ) Wire, Tie [W/.25" Fir Tree Clip]	1
	11	9014145	(10000000- 20000000 ) Hose, Afmkt, Pe, .375id .50od, 05ft	1
	12	1212324	(10000000- 20000000 ) Housing, Head, 43cm	1
	13	1055019	(10000000- 20000000 ) Bumper, Head, 43cm, W/ Bristle Skirt, Im	1
	14	1016399	(10000000- 20000000 ) Screw, Hex, M8 X 1.25 X 30, NI, Ss	1
	15	1211242	(10000000- 20000000 ) Button, Plunger, Pad	1
	16	1212785	(10000000- 20000000 ) Spring, Cmpr, .66od, .05wir, 1.75l, Ss	1
	17	1211256	(10000000- 20000000 ) Pin, Stop, Long	1
	18	1020341	(10000000- 20000000 ) Screw, Hex, M8 X 1.25 X 20, Ss, Sems	4
	19	1223980	(10802498- 20000000 ) Plate Wldt, Head, Weighted	1
	19	1210590	(10000000- 10802497 ) Plate Wldt, Head, Weighted (Replaced By 9014801)	1
	20	1022549	(10000000- 20000000 ) Spacer, Shaft, 17.15b 30.0d 3.0l, Ss	1
	21	1212312	(10000000- 10846652 ) Hub, Drive, Magnetic [Machined] (Replaced By 9015184)	1
	22	1205043	(10000000- 20000000 ) Ring, Hub, Magnetic	1
	23	1017218	(10000000- 20000000 ) Washer, Flat, 0.32b 1.00d .12, Ss	1
	24	1020341	(10000000- 20000000 ) Screw, Hex, M8 X 1.25 X 20, Ss, Sems	1
	25	630114	(10000000- 10846652 ) Screw, Flt, Phl, M4 X 0.70 X 8, 4.8	3
▽		9015184	(10846653- 20000000 ) Hub Kit, Drive, Magnetic [T300]	1
▲	26	1227654	(10846653- 20000000 ) Hub, Drive, Magnetic [Machined]	1
▲	27	33932	(10846653- 20000000 ) Nut, Hex, Lock, M4 X 0.70, NI, Ss	2
▲	28	1205043	(10000000- 20000000 ) Ring, Hub, Magnetic	1
▲	29	1227670	(10846653- 20000000 ) Screw, Flt, Soc, M4 X 0.70 X 14,18- 8, Ss	3

▽ ASSEMBLY

▲ INCLUDED IN ASSEMBLY

SCRUB HEAD GROUP, 50CM DISK, 3-LUG HUB

355291





## SCRUB HEAD GROUP, 50CM DISK, 3-LUG HUB

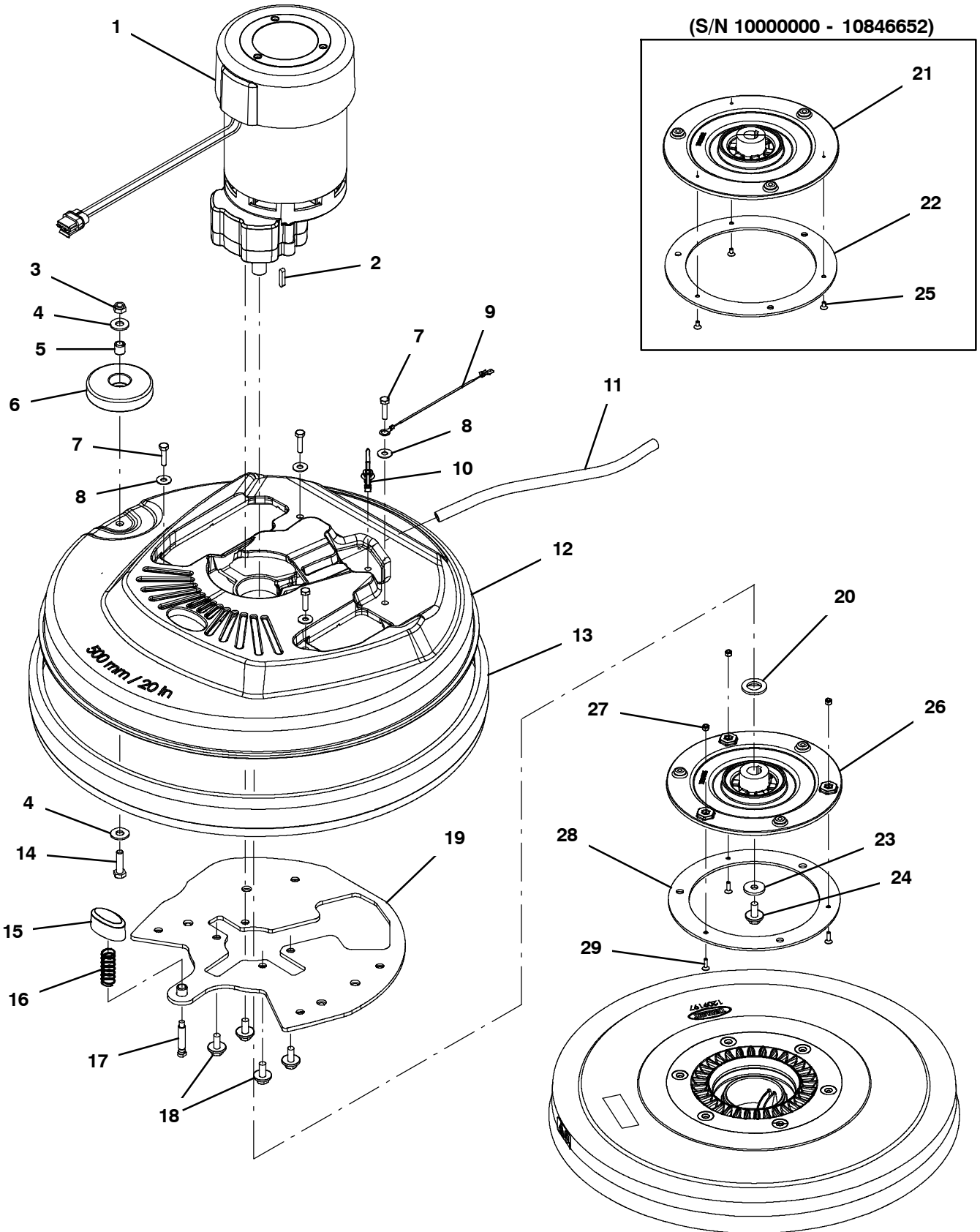
Ref.	Part No.	Serial Number	Description	Qty.
▽	1	1226976	(10834387- 20000000 ) Motor, Ele, 24vdc 0215rpm 650w, 17mm	1
▲		1227273	(10834387- 20000000 ) Vr, Brush Kit, Motor, Ele (4pc)	1
▲	2	1014328	(10000000- 20000000 ) Key, Sq, 05mm X 05mm, 25mm	1
▽	1	1210703	(10000000- 10834386 ) Motor, Ele, 24vdc 0200rpm 1.00hp, 17mm (Replaced By 9015159)	1
▲		222606	(10000000- 10834386 ) Vr, Brush Kit, Motor, Ele [lp] (4Pc) (For Imperial Motor - Frame #P56SG681)	1
▲		1045790	(10000000- 10834386 ) Brush Kit, Replmt, Carbon 24vdc[1pk=1set](4Pc) (For Sanrong Motor - Frame #56S)	1
▲	2	1014328	(10000000- 20000000 ) Key, Sq, 05mm X 05mm, 25mm	1
	3	08713	(10000000- 20000000 ) Nut, Hex, Lock, M8 X 1.25, NI, Ss	1
	4	01685	(10000000- 20000000 ) Washer, Flat, 0.38b 0.88d .08, Ss	2
	5	222460	(10000000- 20000000 ) Sleeve, P/M, 0.32b 0.50d 0.5l [430ss]	1
	6	1010560	(10000000- 20000000 ) Wheel, Bmpr, 80d X 25w, Non-Marking	1
	7	1016005	(10000000- 20000000 ) Screw, Hex, M6 X 1.00 X 25, NI, FI, Ss	4
	8	01684	(10000000- 20000000 ) Washer, Flat, 0.27b 0.69d .05, Ss	4
	9	1074344	(10000000- 20000000 ) Harness, Ele [Ring With .250m Tail]	1
	10	1210807	(10000000- 20000000 ) Wire, Tie [W/.25" Fir Tree Clip]	1
	11	9014145	(10000000- 20000000 ) Hose, Afmkt, Pe, .375id .50od, 05ft	1
	12	1208041	(10000000- 20000000 ) Housing, Head, 50cm	1
	13	1055025	(10000000- 20000000 ) Bumper, Head, 50cm, W/ Bristle Skirt, Im	1
	14	1016399	(10000000- 20000000 ) Screw, Hex, M8 X 1.25 X 30, NI, Ss	1
	15	1211242	(10000000- 10791637 ) Button, Plunger, Pad	1
	16	1212785	(10000000- 10791637 ) Spring, Cmpr, .66od, .05wir, 1.75l, Ss	1
	17	1211907	(10000000- 10791637 ) Pin, Stop, Short	1
	18	1020341	(10000000- 20000000 ) Screw, Hex, M8 X 1.25 X 20, Ss, Sems	4
	19	1223980	(10499417- 20000000 ) Plate Wldt, Head, Weighted	1
	20	1022549	(10000000- 20000000 ) Spacer, Shaft, 17.15b 30.0d 3.0l, Ss	1
	21	1219855	(10791638- 20000000 ) Hub, Drive, 3lug, Alm- Nyl, 17mm[T2,T300]	1
	22	1017218	(10000000- 20000000 ) Washer, Flat, 0.32b 1.00d .12, Ss	1
	23	1020341	(10000000- 20000000 ) Screw, Hex, M8 X 1.25 X 20, Ss, Sems	1
	24	1013188	(10748031- 20000000 ) Clip, Spring, Drive Hub, Release [T3]	1
	25	1011201	(10748031- 20000000 ) Plate, Drive Hub, Release Clip [T3]	1
	26	01683	(10748031- 10791637 ) Washer, Flat, 10, Ss	2
	27	07514	(10748031- 10791637 ) Washer, Lock, Int, 10, Ss	2
	28	09200	(10748031- 10791637 ) Screw, Pan, Phl, M5 X 0.80 X 12, Ss	2
	29	1210590	(10000000- 10499416 ) Plate Wldt, Head, Weighted (Replaced By Kit 9014801)	1
	30	1210676	(10000000- 10791637 ) Hub, Drive, 3 Lug [Machined] (Replaced By Kit 9014623)	1
	31	140197	(10791638- 20000000 ) Screw, Trs, Phl, 10- 24 X 0.38, Sems, Ss	2
	32	1221972	(10791638- 20000000 ) Plug, Hole, Oval, Head, Hsng, Abs [T300]	1

▽ ASSEMBLY

▲ INCLUDED IN ASSEMBLY

SCRUB HEAD GROUP, 50CM DISK, MAGNETIC HUB

355295



## SCRUB HEAD GROUP, 50CM DISK, MAGNETIC HUB

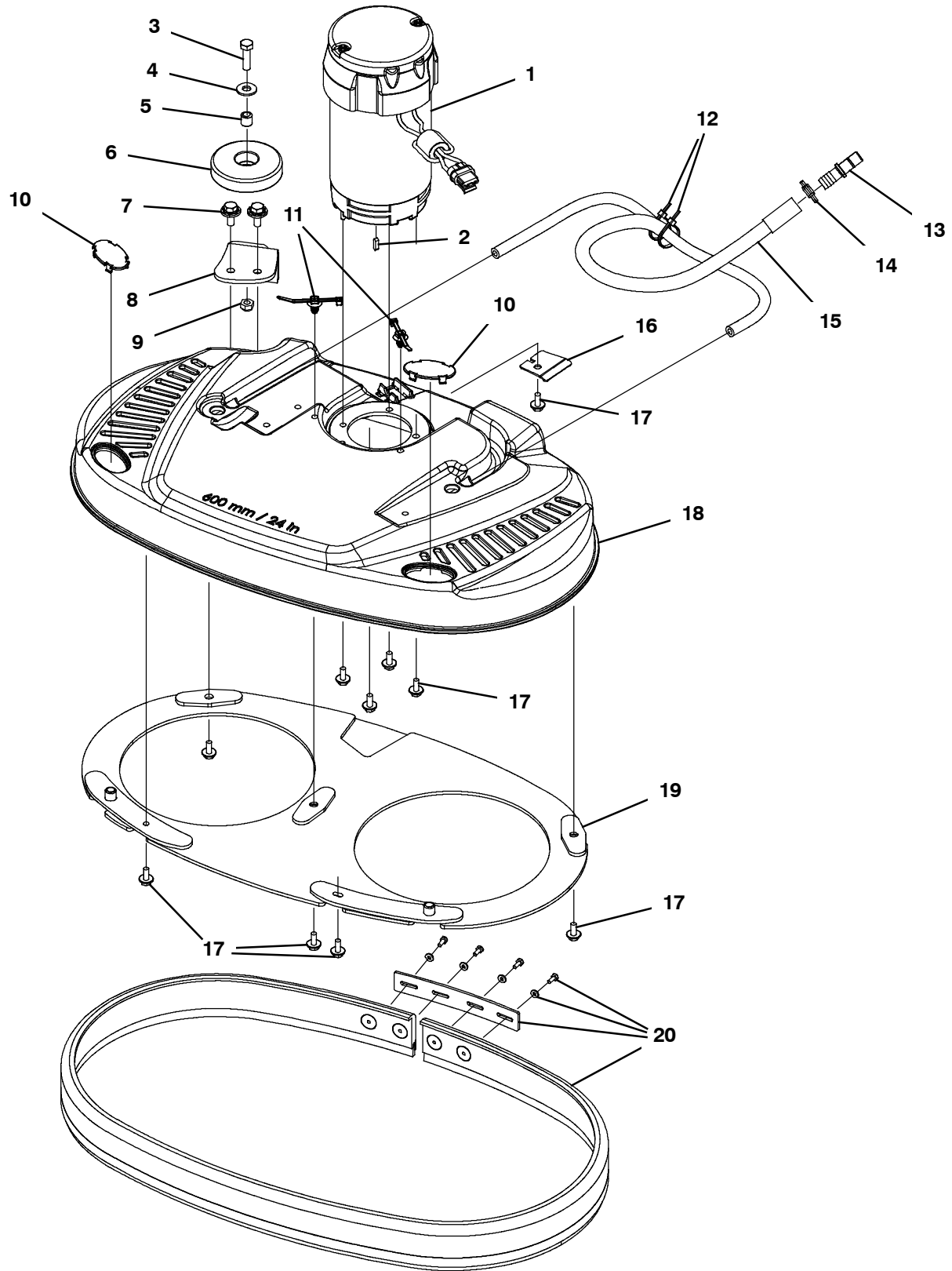
Ref.	Part No.	Serial Number	Description	Qty.
▽	1	1226976	(10834387- 20000000 ) Motor, Ele, 24vdc 0215rpm 650w, 17mm	1
▲		1227273	(10834387- 20000000 ) Vr, Brush Kit, Motor, Ele (4pc)	1
▲	2	1014328	(10000000- 20000000 ) Key, Sq, 05mm X 05mm, 25mml	1
▽	1	1210703	(10000000- 10834386 ) Motor, Ele, 24vdc 0200rpm 1.00hp, 17mm (Replaced By 9015159)	1
▲		222606	(10000000- 10834386 ) Vr, Brush Kit, Motor, Ele [lp] (4Pc) (For Imperial Motor - Frame #P56SG681)	1
▲		1045790	(10000000- 10834386 ) Brush Kit, Replmt, Carbon 24vdc[1pk=1set](4Pc) (For Sanrong Motor - Frame #56S)	1
▲	2	1014328	(10000000- 20000000 ) Key, Sq, 05mm X 05mm, 25mml	1
	3	08713	(10000000- 20000000 ) Nut, Hex, Lock, M8 X 1.25, NI, Ss	1
	4	01685	(10000000- 20000000 ) Washer, Flat, 0.38b 0.88d .08, Ss	2
	5	222460	(10000000- 20000000 ) Sleeve, P/M, 0.32b 0.50d 0.5l [430ss]	1
	6	1010560	(10000000- 20000000 ) Wheel, Bmpr, 80d X 25w, Non- Marking	1
	7	1016005	(10000000- 20000000 ) Screw, Hex, M6 X 1.00 X 25, NI, FI, Ss	4
	8	01684	(10000000- 20000000 ) Washer, Flat, 0.27b 0.69d .05, Ss	4
	9	1074344	(10000000- 20000000 ) Harness, Ele [Ring With .250m Tail]	1
	10	1210807	(10000000- 20000000 ) Wire, Tie [W/.25" Fir Tree Clip]	1
	11	9014145	(10000000- 20000000 ) Hose, Afmkt, Pe, .375id .50od, 05ft	1
	12	1208041	(10000000- 20000000 ) Housing, Head, 50cm	1
	13	1055025	(10000000- 20000000 ) Bumper, Head, 50cm, W/ Bristle Skirt, Im	1
	14	1016399	(10000000- 20000000 ) Screw, Hex, M8 X 1.25 X 30, NI, Ss	1
	15	1211242	(10000000- 20000000 ) Button, Plunger, Pad	1
	16	1212785	(10000000- 20000000 ) Spring, Cmpr, .66od, .05wir, 1.75l, Ss	1
	17	1211256	(10000000- 20000000 ) Pin, Stop, Long	1
	18	1020341	(10000000- 20000000 ) Screw, Hex, M8 X 1.25 X 20, Ss, Sems	4
	19	1223980	(10499417- 20000000 ) Plate Wldt, Head, Weighted	1
	19	1210590	(10000000- 10499416 ) Plate Wldt, Head, Weighted (Replaced By Kit 9014801)	1
	20	1022549	(10000000- 20000000 ) Spacer, Shaft, 17.15b 30.0d 3.0l, Ss	1
	21	1212312	(10000000- 10846652 ) Hub, Drive, Magnetic [Machined] (Replaced By 9015184)	1
	22	1205043	(10000000- 20000000 ) Ring, Hub, Magnetic	1
	23	1017218	(10000000- 20000000 ) Washer, Flat, 0.32b 1.00d .12, Ss	1
	24	1020341	(10000000- 20000000 ) Screw, Hex, M8 X 1.25 X 20, Ss, Sems	1
	25	630114	(10000000- 10846652 ) Screw, Flt, Phl, M4 X 0.70 X 8, 4.8	3
▽		9015184	(10846653- 20000000 ) Hub Kit, Drive, Magnetic [T300]	1
▲	26	1227654	(10846653- 20000000 ) Hub, Drive, Magnetic [Machined]	1
▲	27	33932	(10846653- 20000000 ) Nut, Hex, Lock, M4 X 0.70, NI, Ss	2
▲	28	1205043	(10000000- 20000000 ) Ring, Hub, Magnetic	1
▲	29	1227670	(10846653- 20000000 ) Screw, Flt, Soc, M4 X 0.70 X 14,18- 8, Ss	3

▽ ASSEMBLY

▲ INCLUDED IN ASSEMBLY

SCRUB HEAD GROUP, 60CM DUAL DISK, 3-LUG HUB

355292



## SCRUB HEAD GROUP, 60CM DUAL DISK, 3-LUG HUB

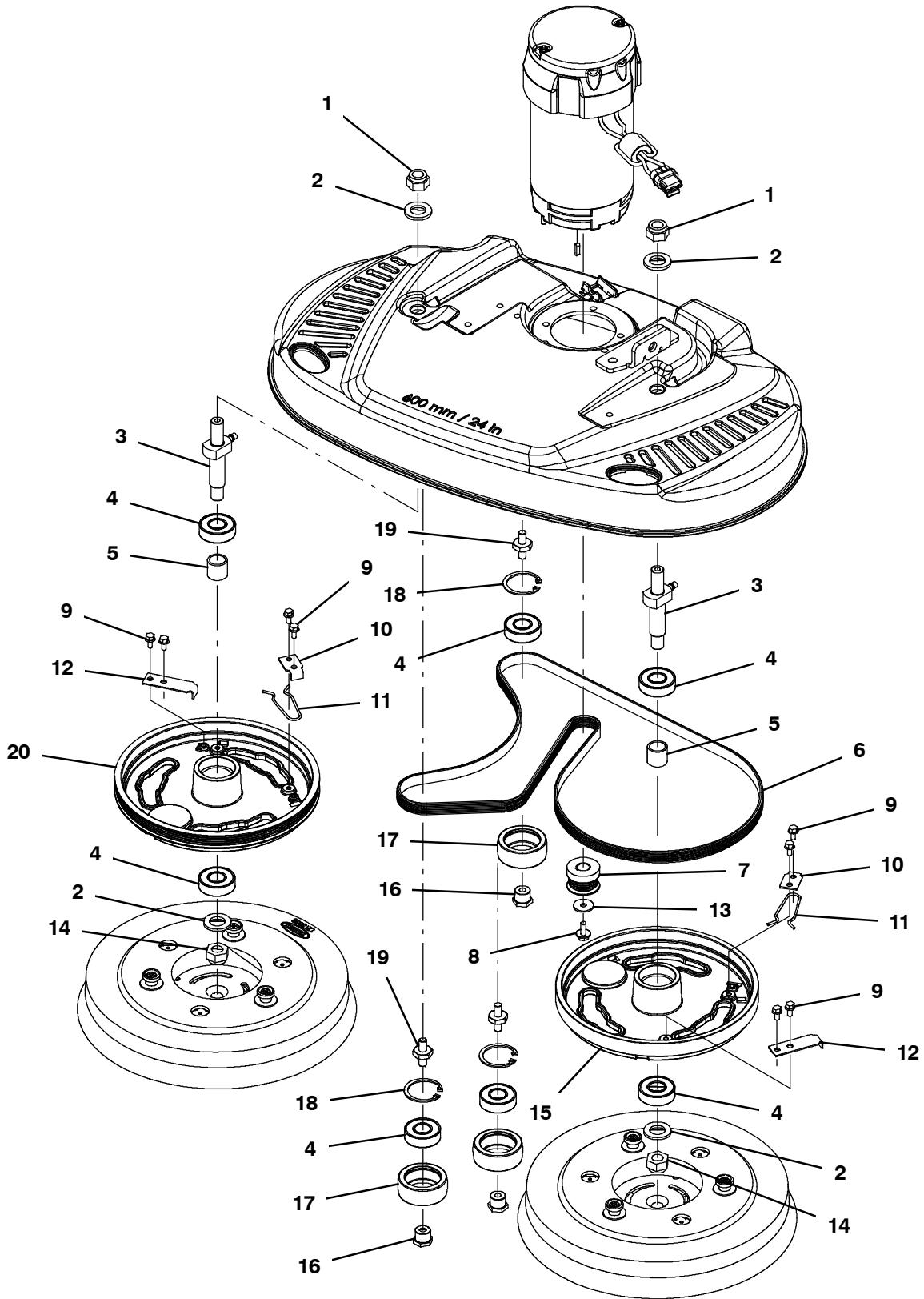
Ref.	Part No.	Serial Number	Description	Qty.
▽	1	1227280	(10835154- 20000000 ) Motor, 24vdc, 2000rpm, 7/8hp	1
▲		1059370	(10000000- 20000000 ) Brush, Motor, Replmt [Bag Of 4]	1
▲	2	1217769	(10000000- 20000000 ) Key, Sq, 04mm X 04mm, 15mml	1
▽	1	1210212	(10000000- 10835153 ) Motor, 24vdc, 2000rpm, 7/8hp, Us (Replaced By 9015160)	1
▲		1059370	(10000000- 20000000 ) Brush, Motor, Replmt [Bag Of 4]	1
▲	2	1217769	(10000000- 20000000 ) Key, Sq, 04mm X 04mm, 15mml	1
	3	09011	(10000000- 20000000 ) Screw, Hex, M8 X 1.25 X 30, Ss	1
	4	01685	(10000000- 20000000 ) Washer, Flat, 0.38b 0.88d .08, Ss	1
	5	222460	(10000000- 20000000 ) Sleeve, P/M, 0.32b 0.50d 0.5l [430ss]	1
	6	1010560	(10000000- 20000000 ) Wheel, Bmpr, 80d X 25w, Non- Marking	1
	7	1020341	(10000000- 20000000 ) Screw, Hex, M8 X 1.25 X 20, Ss, Sems	2
	8	1211506	(10000000- 20000000 ) Bracket, Rlr, Wall, Scb Head	1
	9	08713	(10000000- 20000000 ) Nut, Hex, Lock, M8 X 1.25, NI, Ss	1
	10	1221972	(10000000- 20000000 ) Plug, Hole, Oval, Head, Hsng, Abs [T300]	2
	11	1210807	(10000000- 20000000 ) Wire, Tie [W/.25" Fir Tree Clip]	2
	12	130773	(10000000- 20000000 ) Tie, Cable, Nyl, 11.0l, .14w, 3.0 Max. D	2
	13	1212807	(10000000- 20000000 ) Fitting, Plstc, Str, Qm08/Bm08	1
	14	607776	(10000000- 20000000 ) Clamp, Hose, Wir, .73 - .77, Silver	1
	15	1216084	(10000000- 20000000 ) Manifold, Distribution, Water, 60dd [Vw]	1
	16	1217752	(10000000- 20000000 ) Bracket, Belt Guide	1
	17	1034731	(10000000- 20000000 ) Screw, Hex, M6 X 1.00 X 16, Sems, Ss	10
	18	1211027	(10000000- 20000000 ) Housing, Head, 60cm [Machined]	1
	19	1216346	(10000000- 20000000 ) Bracket Wldt, Guard, Splash, 60cm	1
	20	9011849	(10000000- 20000000 ) Bumper, Head, 60cm, Bristle Skirt	1

▽ ASSEMBLY

▲ INCLUDED IN ASSEMBLY

SCRUB HEAD GROUP, 60CM DUAL DISK, 3-LUG HUB - CONT'D

355335

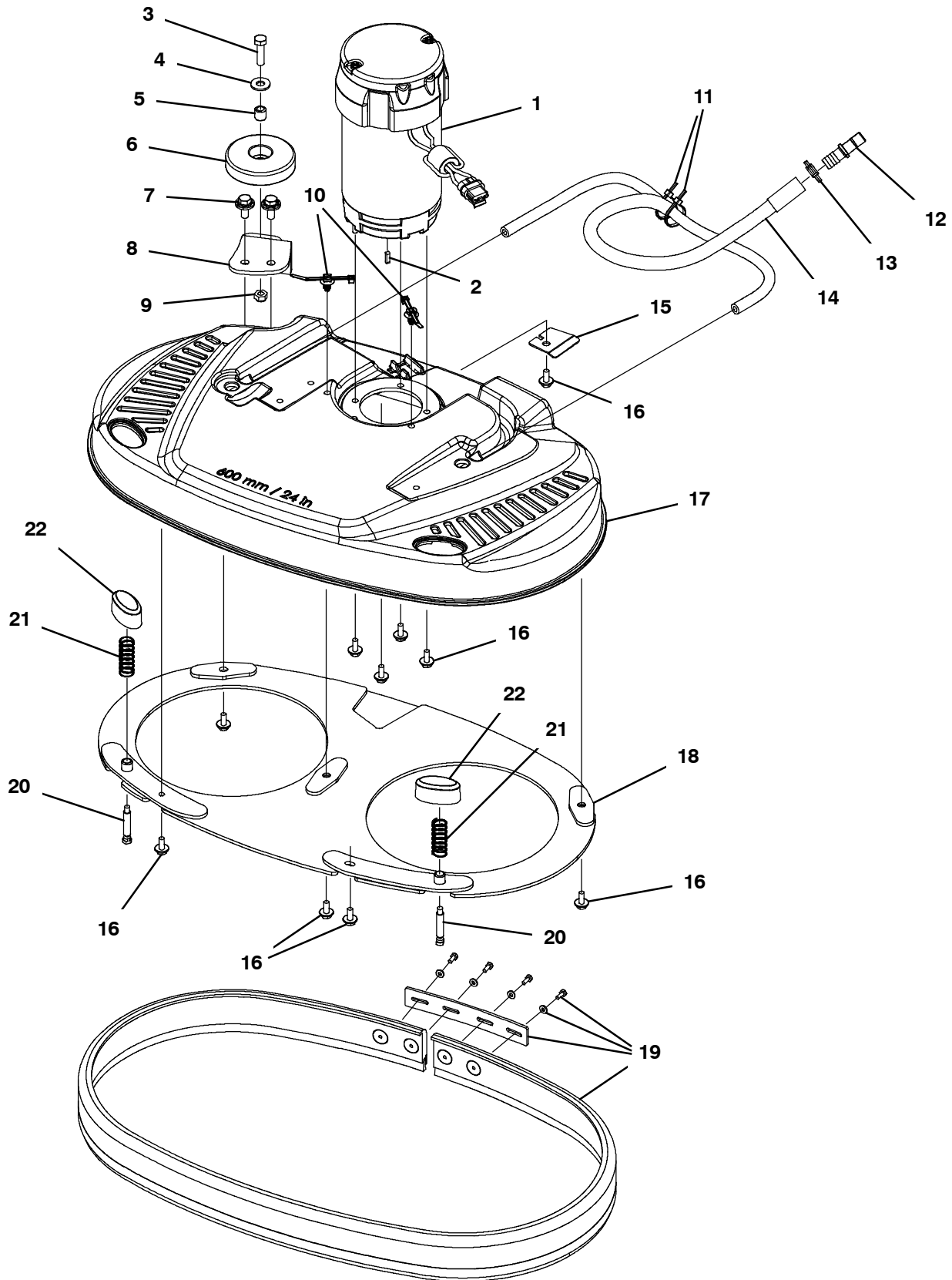


## SCRUB HEAD GROUP, 60CM DUAL DISK, 3-LUG HUB - CONT'D

Ref.	Part No.	Serial Number	Description	Qty.
1	41517	(10000000- 20000000 )	Nut, Hex, Lock, M14 X 2.00, NI	2
2	1022549	(10000000- 20000000 )	Spacer, Shaft, 17.15b 30.0d 3.0l, Ss	4
3	1214206	(10000000- 20000000 )	Shaft Wldt, Mtg, Pulley	2
4	1211187	(10000000- 20000000 )	Bearing, Ball, 0.67b 1.57d 0.47w [6203]	7
5	1011041	(10000000- 20000000 )	Tube, 0.69id 0.87od 00.8l, Stl, PI	2
6	1055305	(10000000- 20000000 )	Belt, Drive, 6pj, Ej139 [T3]	1
7	1213927	(10000000- 20000000 )	Sheave, 06grv, 1.25pd 0.54b, Ss [Keyed]	1
8	1034731	(10000000- 20000000 )	Screw, Hex, M6 X 1.00 X 16, Sems, Ss	1
9	223198	(10000000- 20000000 )	Screw, Hex, M5 X 0.80 X 10, Fmg	8
10	1011201	(10000000- 20000000 )	Plate, Drive Hub, Release Clip [T3]	2
11	1013188	(10000000- 20000000 )	Clip, Spring, Drive Hub, Release [T3]	2
12	1013592	(10000000- 20000000 )	Plate, Drive Hub, Release Stop [T3 Dd]	2
13	019680127	(10000000- 20000000 )	Washer, Flat, 6.2mm Id X 22.0mm Od X 1.9	1
14	41517	(10000000- 20000000 )	Nut, Hex, Lock, M14 X 2.00, NI	2
15	1059205	(10000000- 20000000 )	Hub, Drive, 3lug, Alm, 2disk, Flt	1
16	1011008	(10000000- 20000000 )	Spacer, Brg, Idler	3
17	1058514	(10000000- 20000000 )	Pulley, Idler, 55d X 21w[60cm Dual Disk]	3
18	1013884	(10000000- 20000000 )	Ring, Retaining, Int, 40mm, Ss	3
19	1211624	(10000000- 20000000 )	Stud, M8 X 1.25, Dbl End W/Hex, Ss	3
20	1059206	(10000000- 20000000 )	Hub, Drive, 3lug, Alm, 2disk, 6grv	1

SCRUB HEAD GROUP, 60CM DUAL DISK, MAGNETIC HUB

355296





## SCRUB HEAD GROUP, 60CM DUAL DISK, MAGNETIC HUB

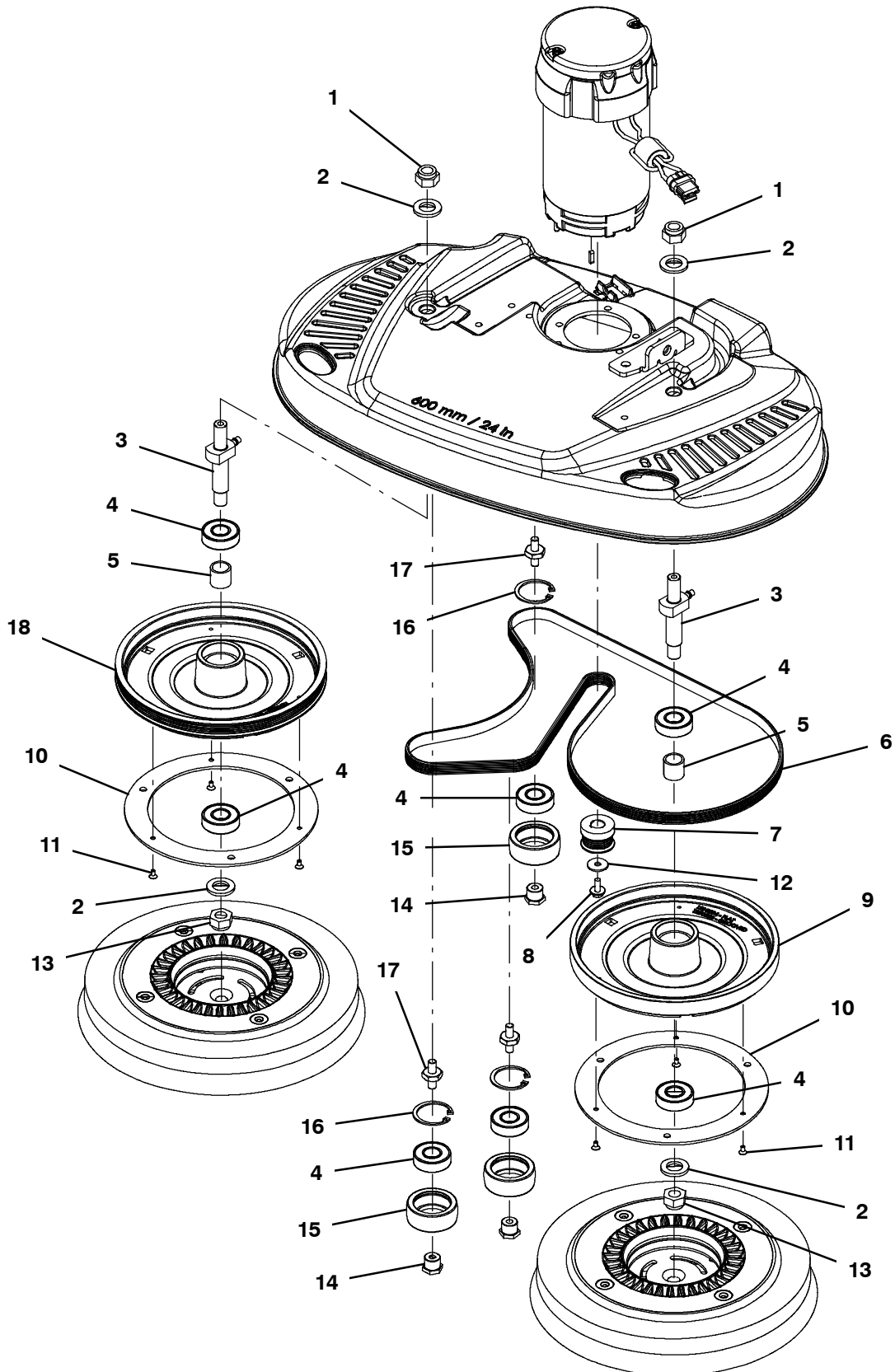
Ref.	Part No.	Serial Number	Description	Qty.
▽	1	1227280	(10835154- 20000000 ) Motor, 24vdc, 2000rpm, 7/8hp	1
▲		1059370	(10000000- 20000000 ) Brush, Motor, Replmt [Bag Of 4]	1
▲	2	1217769	(10000000- 20000000 ) Key, Sq, 04mm X 04mm, 15mml	1
▽	1	1210212	(10000000- 10835153 ) Motor, 24vdc, 2000rpm, 7/8hp, Us (Replaced By 9015160)	1
▲		1059370	(10000000- 20000000 ) Brush, Motor, Replmt [Bag Of 4]	1
▲	2	1217769	(10000000- 20000000 ) Key, Sq, 04mm X 04mm, 15mml	1
	3	09011	(10000000- 20000000 ) Screw, Hex, M8 X 1.25 X 30, Ss	1
	4	01685	(10000000- 20000000 ) Washer, Flat, 0.38b 0.88d .08, Ss	1
	5	222460	(10000000- 20000000 ) Sleeve, P/M, 0.32b 0.50d 0.5l [430ss]	1
	6	1010560	(10000000- 20000000 ) Wheel, Bmpr, 80d X 25w, Non- Marking	1
	7	1020341	(10000000- 20000000 ) Screw, Hex, M8 X 1.25 X 20, Ss, Sems	2
	8	1211506	(10000000- 20000000 ) Bracket, Rlr, Wall, Scb Head	1
	9	08713	(10000000- 20000000 ) Nut, Hex, Lock, M8 X 1.25, NI, Ss	1
	10	1210807	(10000000- 20000000 ) Wire, Tie [W/.25" Fir Tree Clip]	2
	11	130773	(10000000- 20000000 ) Tie, Cable, Nyl, 11.0l, .14w, 3.0 Max. D	2
	12	1212807	(10000000- 20000000 ) Fitting, Plstc, Str, Qm08/Bm08	1
	13	607776	(10000000- 20000000 ) Clamp, Hose, Wir, .73 - .77, Silver	1
	14	1216084	(10000000- 20000000 ) Manifold, Distribution, Water, 60dd [Vw]	1
	15	1217752	(10000000- 20000000 ) Bracket, Belt Guide	1
	16	1034731	(10000000- 20000000 ) Screw, Hex, M6 X 1.00 X 16, Sems, Ss	10
	17	1211027	(10000000- 20000000 ) Housing, Head, 60cm [Machined]	1
	18	1216346	(10000000- 20000000 ) Bracket Wldt, Guard, Splash, 60cm	1
	19	9011849	(10000000- 20000000 ) Bumper, Head, 60cm, Bristle Skirt	1
	20	1211907	(10000000- 20000000 ) Pin, Stop, Short	2
	21	1212785	(10000000- 20000000 ) Spring, Cmpr, .66od, .05wir, 1.75l, Ss	2
	22	1211242	(10000000- 20000000 ) Button, Plunger, Pad	2

▽ ASSEMBLY

▲ INCLUDED IN ASSEMBLY

SCRUB HEAD GROUP, 60CM DUAL DISK, MAGNETIC HUB - CONT'D

355336

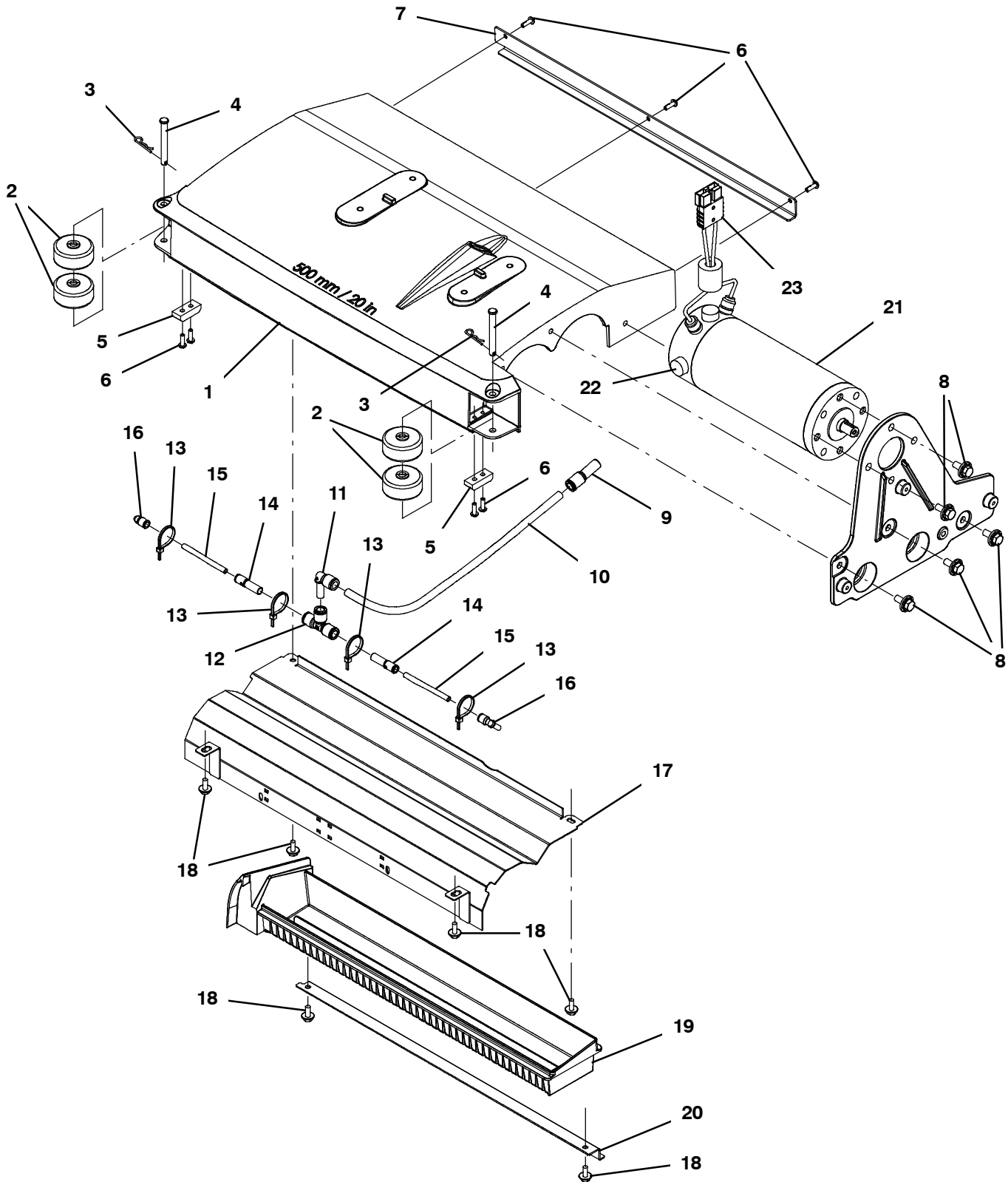


## SCRUB HEAD GROUP, 60CM DUAL DISK, MAGNETIC HUB - CONT'D

Ref.	Part No.	Serial Number	Description	Qty.
1	41517	(10000000- 20000000 )	Nut, Hex, Lock, M14 X 2.00, NI	2
2	1022549	(10000000- 20000000 )	Spacer, Shaft, 17.15b 30.0d 3.0l, Ss	4
3	1214206	(10000000- 20000000 )	Shaft Wldt, Mtg, Pulley	2
4	1211187	(10000000- 20000000 )	Bearing, Ball, 0.67b 1.57d 0.47w [6203]	7
5	1011041	(10000000- 20000000 )	Tube, 0.69id 0.87od 00.8l, Stl, PI	2
6	1055305	(10000000- 20000000 )	Belt, Drive, 6pj, Ej139 [T3]	1
7	1213927	(10000000- 20000000 )	Sheave, 06grv, 1.25pd 0.54b, Ss [Keyed]	1
8	1034731	(10000000- 20000000 )	Screw, Hex, M6 X 1.00 X 16, Sems, Ss	1
9	1210504	(10000000- 20000000 )	Hub, Drive, Magnetic, Flat, 60cm Dd	1
10	1205043	(10000000- 20000000 )	Ring, Hub, Magnetic	2
11	630114	(10000000- 20000000 )	Screw, Flt, Phl, M4 X 0.70 X 8, 4.8	6
12	019680127	(10000000- 20000000 )	Washer, Flat, 6.2mm Id X 22.0mm Od X 1.9	1
12	41517	(10000000- 20000000 )	Nut, Hex, Lock, M14 X 2.00, NI	2
14	1011008	(10000000- 20000000 )	Spacer, Brg, Idler	3
15	1058514	(10000000- 20000000 )	Pulley, Idler, 55d X 21w[60cm Dual Disk]	3
16	1013884	(10000000- 20000000 )	Ring, Retaining, Int, 40mm, Ss	3
17	1211624	(10000000- 20000000 )	Stud, M8 X 1.25, Dbl End W/Hex, Ss	3
18	1210503	(10000000- 20000000 )	Hub, Drive, Magnetic, Grooved, 60cm Dd	1

SCRUB HEAD GROUP, 50CM CYLINDRICAL

355297



## SCRUB HEAD GROUP, 50CM CYLINDRICAL

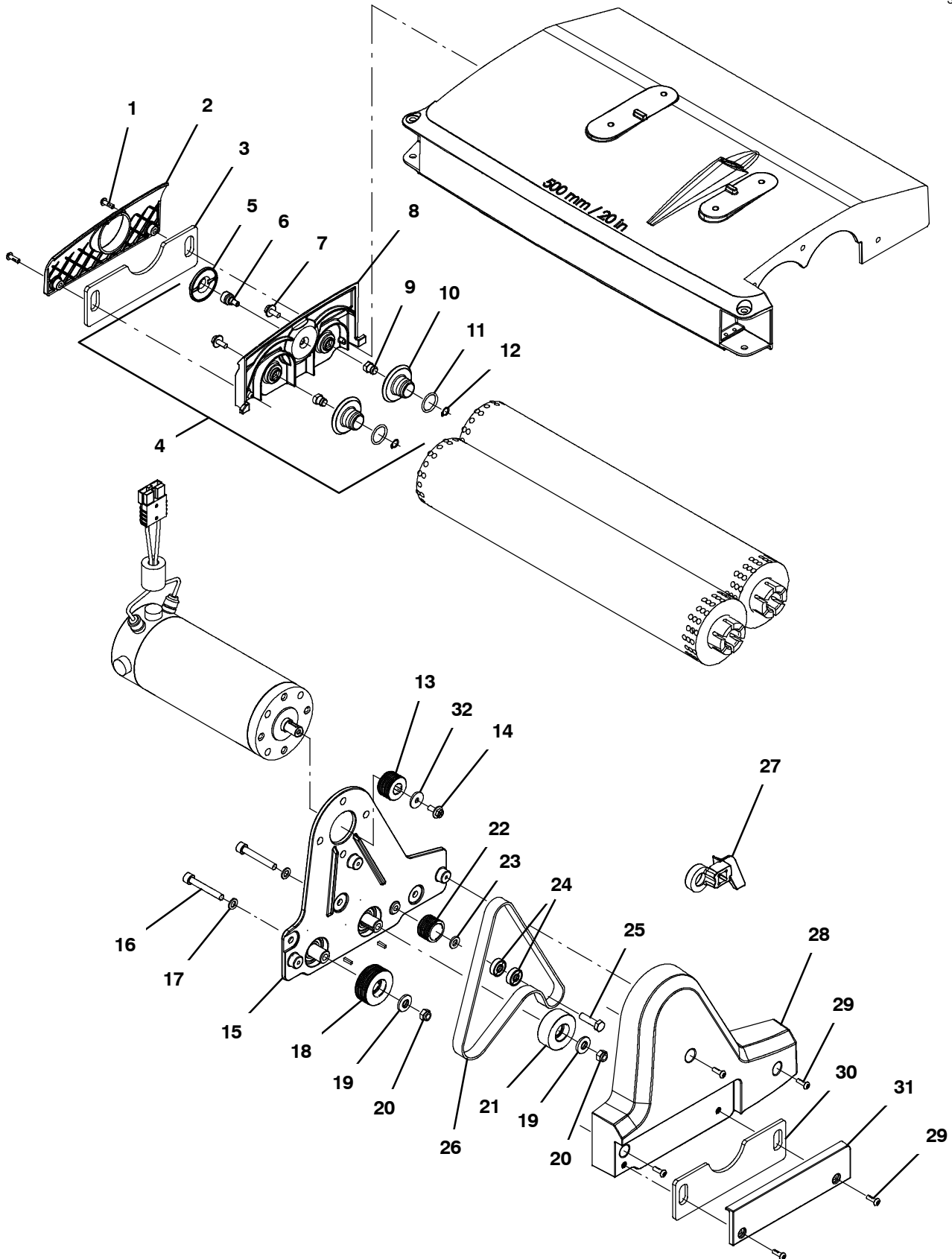
Ref.	Part No.	Serial Number	Description	Qty.	
1	1212265	(10000000- 20000000 )	Housing, Brush, Dbl 50cm [Machined]	1	
2	630477	(10000000- 20000000 )	Wheel, Pyu, 02.0d 0.38w, Gray	4	
3	1216647	(10000000- 20000000 )	Pin, Cotter, Hair, 0.38d .054 Wir	2	
4	391179	(10000000- 20000000 )	Pin, Clevis, 0.37d X 2.62l	2	
5	1215675	(10000000- 20000000 )	Skid, Brush Housing	2	
6	1205799	(10000000- 20000000 )	Screw, Btn, M5 X 0.8 X 16, 8.8, NI, Torx	7	
7	1213708	(10000000- 20000000 )	Bracket, Tray, Debris	1	
8	1020341	(10000000- 20000000 )	Screw, Hex, M8 X 1.25 X 20, Ss, Sems	7	
9	1215218	(10000000- 20000000 )	Fitting, Plstc, Str, Qf06/Qm08	1	
10	1014986	(10000000- 20000000 )	Hose, Afmkt, Pvc, Clr, 0.25id, 02ft	1	
11	1215186	(10000000- 20000000 )	Fitting, Plstc, E90, Qf06/Qm06	1	
12	1212573	(10000000- 20000000 )	Fitting, Plstc, Tee, Qf06/Qf06/Qf06	1	
13	130773	(10000000- 20000000 )	Tie, Cable, Nyl, 11.0l, .14w, 3.0 Max. D	4	
14	1212934	(10000000- 20000000 )	Fitting, Plstc, Str, Qf04/Qm06	2	
15	160827	(10000000- 20000000 )	Hose, Pvc, Clr, 0.12id 0.25od 010.5l	1	
16	1214339	(10000000- 20000000 )	Fitting, Plstc, E90, Qfo4/Qm04	2	
17	1219486	(10000000- 20000000 )	Panel Wldt, Brush	1	
18	1034731	(10000000- 20000000 )	Screw, Hex, M6 X 1.00 X 16, Sems, Ss	6	
19	1213706	(10000000- 20000000 )	Tray, Debris, 500mm [lm]	1	
20	1213707	(10000000- 20000000 )	Bracket, Tray, Debris	1	
▽	21	1210202	(10000000- 20000000 )	Motor, Ele, 24vdc [Vw Cyl]	1
▲		1217769	(10000000- 20000000 )	Key, Sq, 04mm X 04mm, 15mml	1
▲	22	1059370	(10000000- 20000000 )	Brush, Motor, Replmt [Bag Of 4)	1
▲	23	49548	(10000000- 20000000 )	Connector, Anderson, 050a, Red	1

▽ ASSEMBLY

▲ INCLUDED IN ASSEMBLY

SCRUB HEAD GROUP, 50CM CYLINDRICAL - CONT'D

355298



## SCRUB HEAD GROUP, 50CM CYLINDRICAL - CONT'D

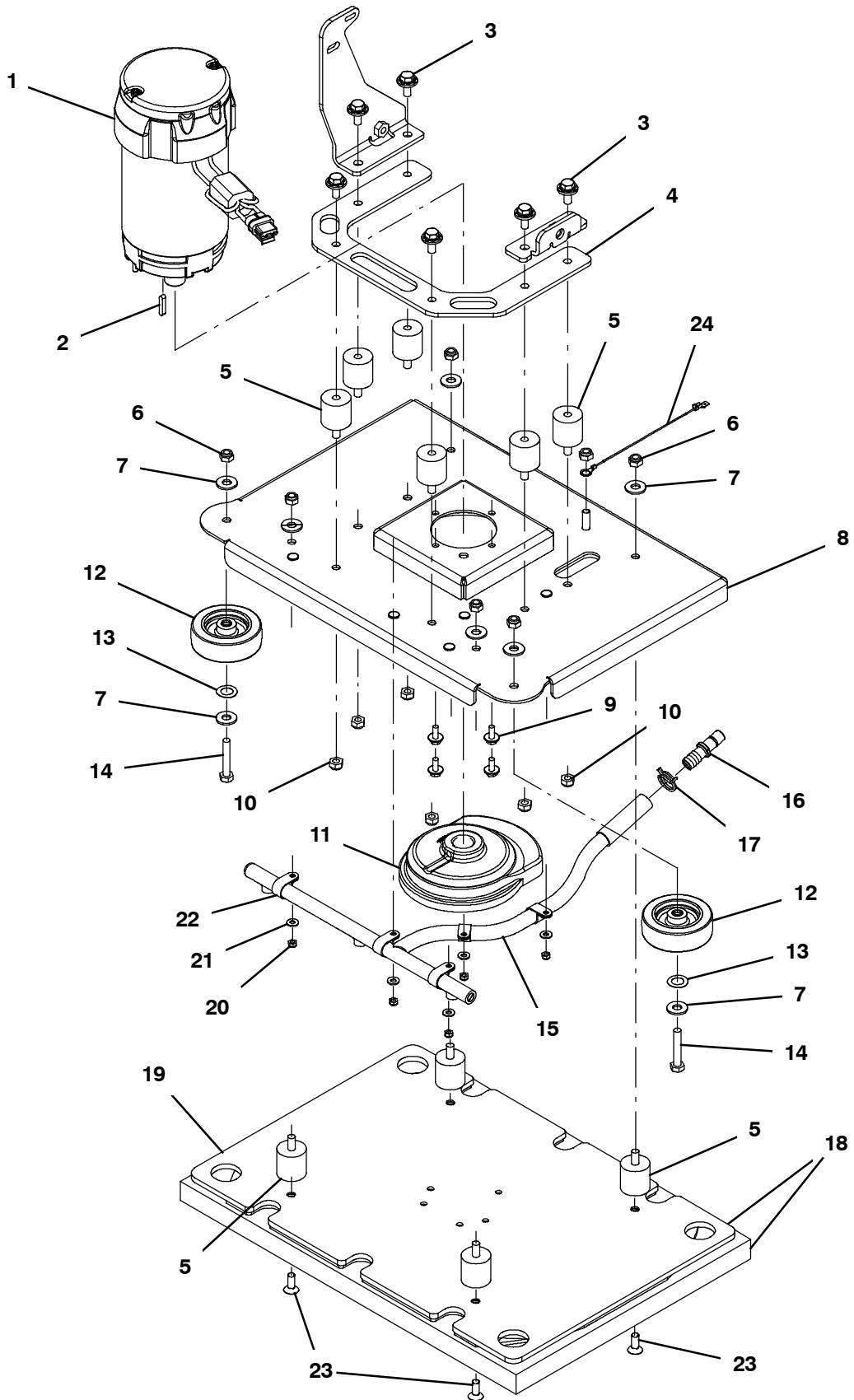
Ref.	Part No.	Serial Number	Description	Qty.
	1	1205799	(10000000-20000000 ) Screw, Btn, M5 X 0.8 X 16, 8.8, NI, Torx	2
	2	1216689	(10000000-20000000 ) Cover, Skirt, Cyl Door	1
	3	1215666	(10000000-20000000 ) Skirt, Side, Cyl, Floating	1
▽	4	9014168	(10000000-20000000 ) Door Assy, Brush	1
▲	5	1215581	(10000000-20000000 ) Cap, Screw	1
▲	6	1062149	(10000000-20000000 ) Knob, Rnd, 0.58d 0.50l, .25-20x.50l Stud	1
▲	7	1034731	(10000000-20000000 ) Screw, Hex, M6 X 1.00 X 16, Sems, Ss	2
▲	8	1212250	(10000000-20000000 ) Door, Brush [Machined]	1
▲	9	1030682	(10000000-20000000 ) Shaft, Idler Plug	2
▲	10	1030680	(10000000-20000000 ) Hub, Idler, Brush	2
▲	11	1220596	(10000000-20000000 ) Seal, Org, .139 X .859 Id, 212	2
▲	12	01543	(10000000-20000000 ) Ring, Retaining, Ext, 0.39d, Basic	2
	13	1210116	(10000000-20000000 ) Sheave, Motor, 07grv 1.3pd 0.50b [Pj]	1
	14	1034731	(10000000-20000000 ) Screw, Hex, M6 X 1.00 X 16, Sems, Ss	1
▽	15	9014167	(10000000-20000000 ) Brkt Assy, Motor, Sgl Mount (Also includes Hubs, Bearings and Seals Not Available Separately)	1
▲	16	1057476	(10000000-20000000 ) Screw, Soc, M8 X 1.25 X 55, Ss	2
▲	17	1057482	(10000000-20000000 ) Washer, Flat, 0.33b 0.57d 0.06, Ss	2
▲	18	1210204	(10000000-20000000 ) Sheave, Drive, Grvd 07grv, 2.0pd 0.67b [	1
▲	19	41186	(10000000-20000000 ) Washer, Flat, Belleville, .31	2
▲	20	08713	(10000000-20000000 ) Nut, Hex, Lock, M8 X 1.25, NI, Ss	2
▲	21	1210232	(10000000-20000000 ) Sheave, Drive, Smooth 2.0pd 0.67b	1
▲	22	1210233	(10000000-20000000 ) Sheave, Idler, 07grv 1.2pd 0.87b [Pj]	1
▲	23	1216289	(10000000-20000000 ) Spacer, Pulley, 2cyl, Pm [Vw]	1
▲	24	1027651	(10000000-20000000 ) Bearing, Ball, 8mmb X 22mmd X 7mmw	2
▲	25	1016399	(10000000-20000000 ) Screw, Hex, M8 X 1.25 X 30, NI, Ss	1
▲▽	26	9014166	(10000000-20000000 ) Kit, Belt, Motor (Includes Installation Tool)	1
▲▲	27	1213132	(10000000-20000000 ) Tool, Installation, Belt	1
	28	1209594	(10000000-20000000 ) Cover, Belt	1
	29	1205799	(10000000-20000000 ) Screw, Btn, M5 X 0.8 X 16, 8.8, NI, Torx	5
	30	1215666	(10000000-20000000 ) Skirt, Side, Cyl, Floating	1
	31	1216728	(10000000-20000000 ) Cover, Skirt, Cyl Head	1
	32	019680127	(10000000-20000000 ) Washer, Flat, 6.2mm Id X 22.0mm Od X 1.9	1

▽ ASSEMBLY

▲ INCLUDED IN ASSEMBLY

SCRUB HEAD GROUP, 50CM ORBITAL

355293





## SCRUB HEAD GROUP, 50CM ORBITAL

Ref.	Part No.	Serial Number	Description	Qty.
▽	1	1226909	(10827598- 20000000 ) Motor, Ele, 24vdc, 2200rpm, .6hp, 22mm	1
▲		1059370	(10000000- 20000000 ) Brush, Motor, Replmt [Bag Of 4]	1
▲	2	1014328	(10000000- 20000000 ) Key, Sq, 05mm X 05mm, 25mml	1
▽	1	1212669	(10000000- 10827597 ) Motor, Ele, 24vdc, 2200rpm, .6hp, 22mm (Replaced By 9015162)	1
▲		1059370	(10000000- 20000000 ) Brush, Motor, Replmt [Bag Of 4]	1
▲	2	1014328	(10000000- 20000000 ) Key, Sq, 05mm X 05mm, 25mml	1
	3	1020341	(10000000- 20000000 ) Screw, Hex, M8 X 1.25 X 20, Ss, Sems	6
	4	1209745	(10000000- 20000000 ) Plate, Mtg, Head [50cm Orb]	1
	5	1212543	(10000000- 20000000 ) Isolator, Neoprene, 1.25" X 1.25", M8	10
	6	08713	(10000000- 20000000 ) Nut, Hex, Lock, M8 X 1.25, NI, Ss	6
	7	01685	(10000000- 20000000 ) Washer, Flat, 0.38b 0.88d .08, Ss	8
	8	1212527	(10000000- 20000000 ) Deck Wldt, Scrbr [Volga Wet]	1
	9	1034731	(10000000- 20000000 ) Screw, Hex, M6 X 1.00 X 16, Sems, Ss	4
	10	08713	(10000000- 20000000 ) Nut, Hex, Lock, M8 X 1.25, NI, Ss	6
	11	9014175	(10000000- 20000000 ) Kit, Eccentric Assy, [T300] (See Breakdowns)	1
	12	1014918	(10000000- 20000000 ) Wheel, 03.0d 0.88w 0.31b, W/ Bshg, Rbr	2
	13	1210221	(10000000- 20000000 ) Washer, Wave, .515b, .875d, .013, Ss	2
	14	222505	(10000000- 20000000 ) Screw, Hex, M8 X 1.25 X 45, Ss	2
	15	1212468	(10000000- 20000000 ) Manifold, Distribution, Water, Orb [Vw]	1
	16	1212807	(10000000- 20000000 ) Fitting, Plstc, Str, Qm08/Bm08	1
	17	607776	(10000000- 20000000 ) Clamp, Hose, Wir, .73 - .77, Silver	1
▽	18	9014189	(10000000- 20000000 ) Kit, Afmkt, Pad Driver [T300]	1
▲	19	1212615	(10000000- 20000000 ) Face, Pad Driver [Volga Wet]	1
	20	09739	(10000000- 20000000 ) Nut, Hex, Lock, M5 X 0.80, NI, Ss	5
	21	01683	(10000000- 20000000 ) Washer, Flat, 10, Ss	5
	22	140916	(10000000- 20000000 ) Clamp, Cable, Nyl, 0.62d, Nat	5
	23	1218926	(10000000- 20000000 ) Screw, Flt, Soc, M8 X 1.25 X 14, Ss	4
	24	1074344	(10000000- 20000000 ) Harness, Ele [Ring With .250m Tail]	1

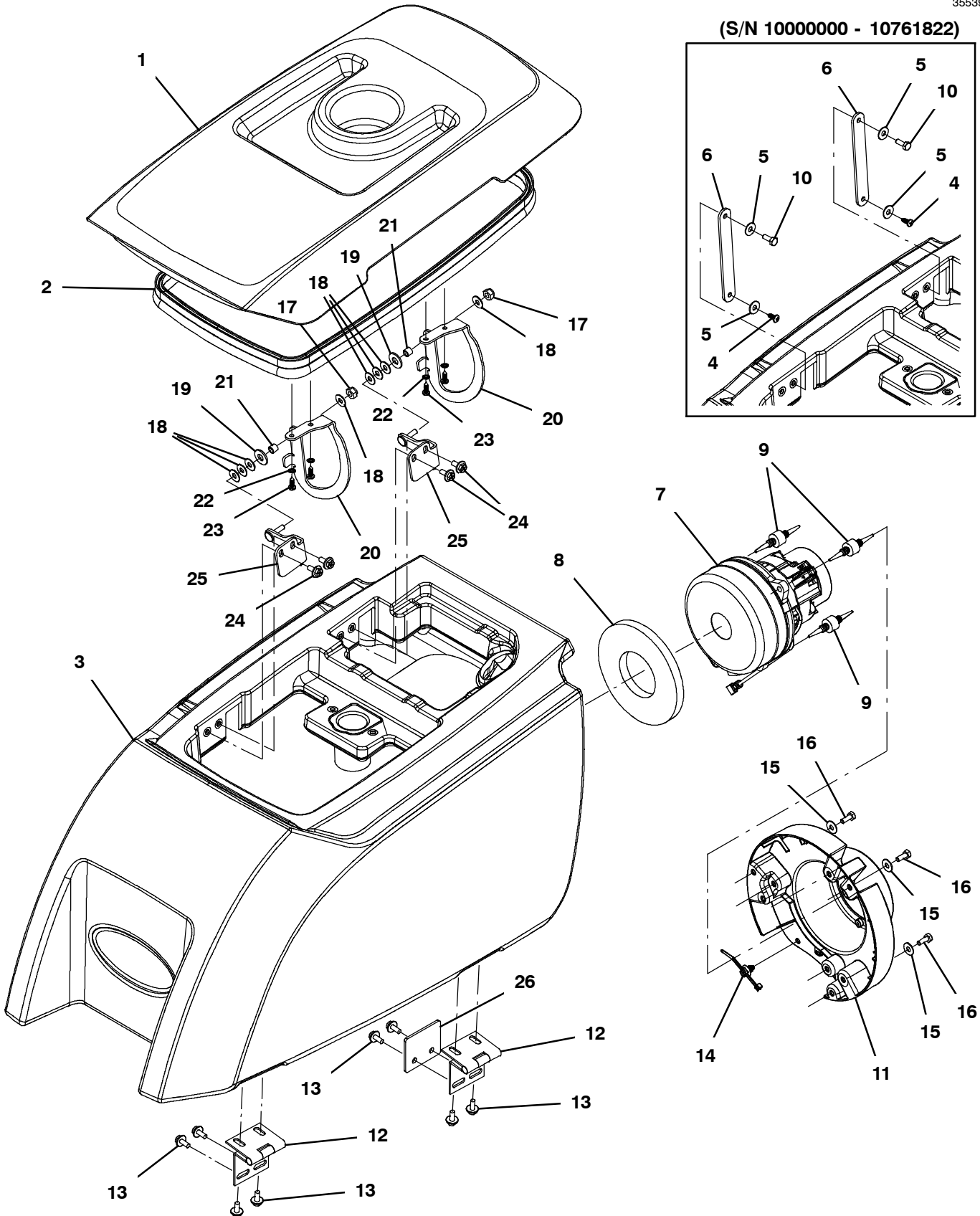
▽ ASSEMBLY

▲ INCLUDED IN ASSEMBLY

RECOVERY TANK GROUP, BASE MODEL

355399

(S/N 1000000 - 10761822)



RECOVERY TANK GROUP, BASE MODEL

Ref.	Part No.	Serial Number	Description	Qty.
▽	1	9014682	(10000000- 20000000 ) Kit, Cover, Recvy, Ci [Na]	1
▽	1	9014683	(10000000- 20000000 ) Kit, Cover, Recvy, Ci [Jp]	1
▲	2	1210472	(10000000- 20000000 ) Seal, Afmkt, Bulb, 0.50d .13grip, 05ft	1
	3	9014151	(10000000- 20000000 ) Kit, Tank, Recvy, W/Labels [T300e]	1
	4	1018155	(10000000- 10761822 ) Screw, Pan, Phl, M5 X 0.80 X 16, Tcut,Ss	2
	5	01684	(10000000- 10761822 ) Washer, Flat, 0.27b 0.69d .05, Ss	4
	6	1212553	(10000000- 10761822 ) Strap, Retaining, Cover, 125.0l	2
▽	7	1219312	(10000000- 20000000 ) Fan, Vacuum, 5.7d, 024vdc, 2 Stage	1
▲		372883	(10000000- 20000000 ) Vr, Brush Kit, Motor, Ele (1 Pkg = 2 Pcs)	1
	8	100038	(10000000- 20000000 ) Gasket, .50, 02.63id 05.75od, Adh [Epdm]	1
	9	1062016	(10000000- 20000000 ) Isolator, Vib, .75d	3
	10	11329	(10000000- 10761822 ) Screw, Hex, M6 X 1.00 X 16, NI, Ss	2
	11	1207368	(10000000- 20000000 ) Mount, Vacfan, 5.7/6.6	1
	12	1209466	(10000000- 20000000 ) Hinge, 6mm Pin 2.5 73.5mmw 60.0mml, Bent	2
	13	1034731	(10000000- 20000000 ) Screw, Hex, M6 X 1.00 X 16, Sems, Ss	8
	14	1210807	(10000000- 20000000 ) Wire, Tie [W/.25" Fir Tree Clip]	1
	15	01684	(10000000- 20000000 ) Washer, Flat, 0.27b 0.69d .05, Ss	3
	16	11329	(10000000- 20000000 ) Screw, Hex, M6 X 1.00 X 16, NI, Ss	3
▽		9014279	(10761823- 20000000 ) Hinge, Kit, Lid, Ci, [T300]	1
▲	17	08712	(10761823- 20000000 ) Nut, Hex, Lock, M6 X 1.00, NI, Ss	2
▲	18	01684	(10761823- 20000000 ) Washer, Flat, 0.27b 0.69d .05, Ss	8
▲	19	1231213	(10761823- 20000000 ) Washer, Flat, 0.39b 1.00d .02, Ss	2
▲	20	1219440	(10761823- 20000000 ) Hinge, Goose Neck	2
▲	21	80491	(10761823- 20000000 ) Sleeve, P/M, 0.25b 0.38d 0.2l [430ss]	2
▲	22	07514	(10761823- 20000000 ) Washer, Lock, Int, 10, Ss	4
▲	23	1018155	(10761823- 20000000 ) Screw, Pan, Phl, M5 X 0.80 X 16, Tcut,Ss	4
▲	24	1034731	(10761823- 20000000 ) Screw, Hex, M6 X 1.00 X 16, Sems, Ss	4
▲	25	1219473	(10761823- 20000000 ) Hinge, Mount, Wldt	2
	26	1220553	(10000000- 20000000 ) Plate, Hinge, Doubler	1

▽ ASSEMBLY

▲ INCLUDED IN ASSEMBLY

▽ ASSEMBLY

▲ INCLUDED IN ASSEMBLY



## RECOVERY TANK FILTER AND HOSE GROUP, SCREW CAP

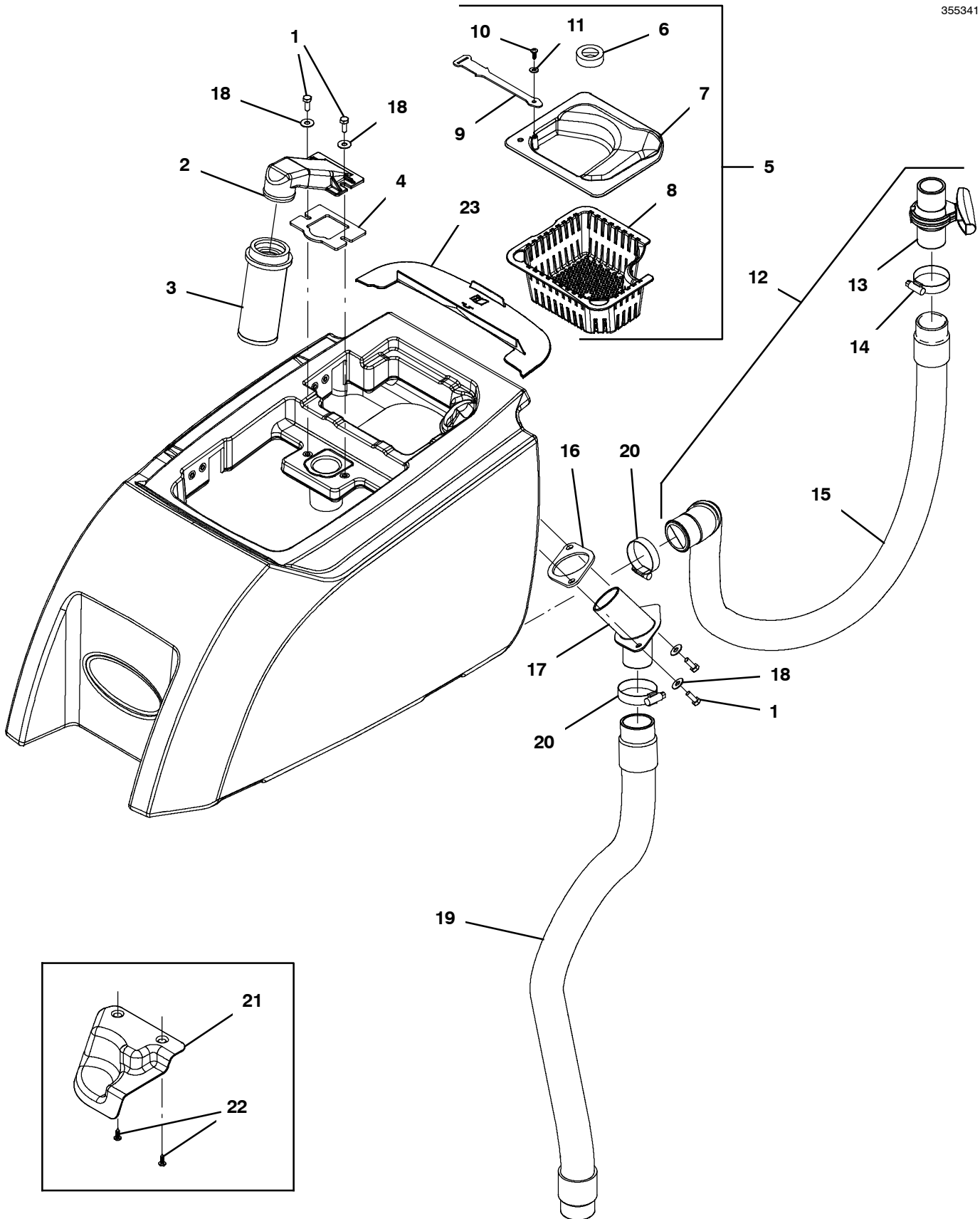
Ref.	Part No.	Serial Number	Description	Qty.	
1	11329	(10000000- 20000000 )	Screw, Hex, M6 X 1.00 X 16, NI, Ss	4	
2	1011777	(10000000- 20000000 )	Mount, Float, Mold	1	
3	630052	(10000000- 20000000 )	Float, Shut- Off, (2)Ball, 1.75d	1	
4	1013628	(10000000- 20000000 )	Gasket, Mtg, Float, .125th, Neo, Adh	1	
▽	5	9014872	(10785189- 20000000 )	Kit, Deflector, Tray, Debris, Ci, [T300]	1
▲	6	1225187	(10785189- 20000000 )	Seal, Rbr, Clsd, 12.7 <sup>Th</sup> , 24.0ld, 40.0Od	1
▲	7	1224899	(10785189- 20000000 )	Deflector, Tray, Debris	1
▲	8	1207357	(10000000- 20000000 )	Tray, Debris, Tank, Recvy [T300]	1
▲	9	1225172	(10785189- 20000000 )	Strap, Retaining, Deflector, 150.0L	1
▲	10	1018155	(10785189- 20000000 )	Screw, Pan, Phl, M5 X 0.80 X 16, Tcut,Ss	1
▲	11	01683	(10785189- 20000000 )	Washer, Flat, 10, Ss	1
▽	12	1213008	(10000000- 20000000 )	Hose Assy, Drain, 1.5d 025l 1.5/Cap [Pu] (Gray)	1
▲	13	1219134	(10000000- 20000000 )	Cap, Drain Assy [Gray]	1
▽	12	1213010	(10000000- 20000000 )	Hose Assy, Drain, 1.5d 017l 1.5/Cap[Pvc] (Black)	1
▲	13	1218955	(10000000- 20000000 )	Cap, Drain Assy [Black]	1
14	11531	(10000000- 20000000 )	Clamp, Hose, Wormdrive, 1.06- 2.00d, .56w	2	
15	1037106	(10000000- 20000000 )	Gasket, Adapter, Hose .13, Neo	1	
16	1207196	(10000000- 20000000 )	Tube, Hose, Adapter, 1.5d [T300]	1	
17	01684	(10000000- 20000000 )	Washer, Flat, 0.27b 0.69d .05, Ss	4	
18	1204663	(10000000- 20000000 )	Hose Assy, W/2cuff,1.5d 031l 1.5/1.5[Pu]	1	
18	1211220	(10000000- 20000000 )	Hose Assy,W/2cuff,1.5d 022l 1.5/1.5[Pvc] (Black)	1	
19	1210214	(10000000- 10785188 )	Deflector, Water, Recvy (Replaced By 9014872)	1	
20	1018155	(10000000- 10785188 )	Screw, Pan, Phl, M5 X 0.80 X 16, Tcut,Ss	2	
21	9014905	(10786729- 20000000 )	Cover Kit, Circuitbreaker, Ci[T300/E/Ss]	1	

▽ ASSEMBLY

▲ INCLUDED IN ASSEMBLY

RECOVERY TANK FILTER AND HOSE GROUP, CONTROL VALVE

355341



## RECOVERY TANK FILTER AND HOSE GROUP, CONTROL VALVE

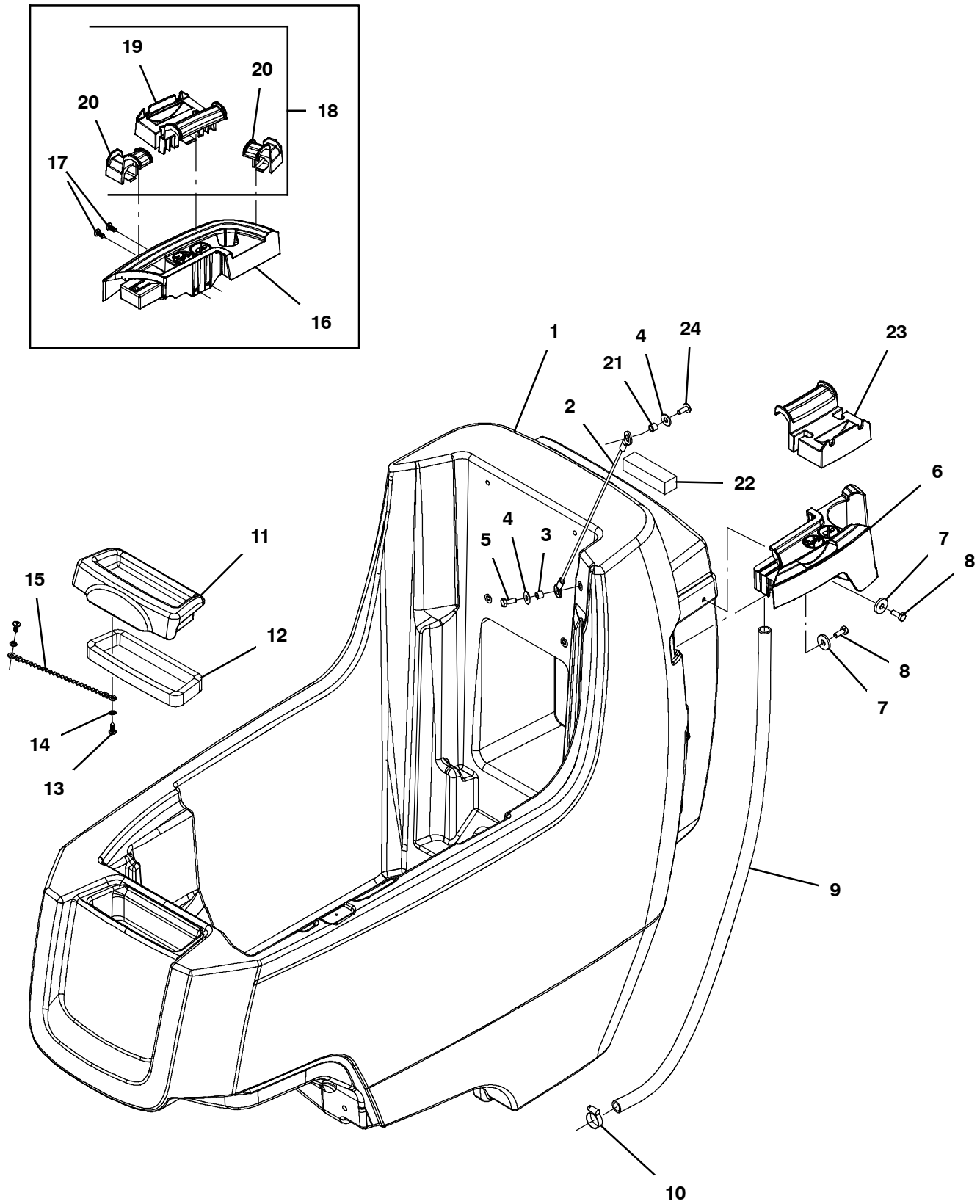
Ref.	Part No.	Serial Number	Description	Qty.	
1	11329	(10000000- 20000000 )	Screw, Hex, M6 X 1.00 X 16, NI, Ss	4	
2	1011777	(10000000- 20000000 )	Mount, Float, Mold	1	
3	630052	(10000000- 20000000 )	Float, Shut- Off, (2)Ball, 1.75d	1	
4	1013628	(10000000- 20000000 )	Gasket, Mtg, Float, .125th, Neo, Adh	1	
▽	5	9014872	(10785189- 20000000 )	Kit, Deflector, Tray, Debris, Ci, [T300]	1
▲	6	1225187	(10785189- 20000000 )	Seal, Rbr, Clsd, 12.7 <sup>Th</sup> , 24.0Id, 40.0Od	1
▲	7	1224899	(10785189- 20000000 )	Deflector, Tray, Debris	1
▲	8	1207357	(10000000- 20000000 )	Tray, Debris, Tank, Recvy [T300]	1
▲	9	1225172	(10785189- 20000000 )	Strap, Retaining, Deflector, 150.0L	1
▲	10	1018155	(10785189- 20000000 )	Screw, Pan, Phl, M5 X 0.80 X 16, Tcut,Ss	1
▲	11	01683	(10785189- 20000000 )	Washer, Flat, 10, Ss	1
▽	12	9014171	(10000000- 20000000 )	Hose Assy, With Valve	1
▲	13	1051986	(10000000- 20000000 )	Valve, Ball, 2way, 1.0Id Pvc, W/Handle	1
▲	14	11531	(10000000- 20000000 )	Clamp, Hose, Wormdrive, 1.06- 2.00d, .56w	1
▲	15	1222591	(10000000- 20000000 )	Hose Assy, 45cuff,1.5d 021l 1.5/1.5[Pu]	1
	16	1037106	(10000000- 20000000 )	Gasket, Adapter, Hose .13, Neo	1
	17	1207196	(10000000- 20000000 )	Tube, Hose, Adapter, 1.5d [T300]	1
	18	01684	(10000000- 20000000 )	Washer, Flat, 0.27b 0.69d .05, Ss	4
	19	1204663	(10000000- 20000000 )	Hose Assy, W/2cuff,1.5d 031l 1.5/1.5[Pu]	1
	20	11531	(10000000- 20000000 )	Clamp, Hose, Wormdrive, 1.06- 2.00d, .56w	2
	21	1210214	(10000000- 10785188 )	Deflector, Water, Recvy	1
	22	1018155	(10000000- 10785188 )	Screw, Pan, Phl, M5 X 0.80 X 16, Tcut,Ss	2
	23	9014905	(10786729- 20000000 )	Cover Kit, Circuitbreaker, Ci[T300/E/Ss]	1

▽ ASSEMBLY

▲ INCLUDED IN ASSEMBLY

SOLUTION TANK GROUP

355304





## SOLUTION TANK GROUP

Ref.	Part No.	Serial Number	Description	Qty.
1	9014156	(10000000- 20000000 )	Kit, Tank, Soltn, [T300/T300e]	1
2	391368	(10000000- 20000000 )	Cable, Glv .09d 016.5l .38eye /.38eye	1
3	140154	(10000000- 20000000 )	Sleeve, P/M, 0.25b 0.38d 0.3l, PI	1
4	01684	(10000000- 20000000 )	Washer, Flat, 0.27b 0.69d .05, Ss	2
5	11329	(10000000- 20000000 )	Screw, Hex, M6 X 1.00 X 16, NI, Ss	1
6	1214264	(10000000- 20000000 )	Tray, Accssry, Lh, 16mm Screw	1
7	140053	(10000000- 20000000 )	Washer, Flat, 0.28b 0.88d .12, Ss	2
8	11329	(10000000- 20000000 )	Screw, Hex, M6 X 1.00 X 16, NI, Ss	2
9	20778	(10000000- 20000000 )	Hose, Pvc, Clr, 0.50id 0.69od 030.0l	1
10	54333	(10000000- 20000000 )	Clamp, Hose, Wormdrive, 0.31- 0.88d, .31w	1
11	9014158	(10000000- 20000000 )	Kit, Cvr, Fill, W/ Ech20, Ci [Na/Jp]	1
11	9014410	(10000000- 20000000 )	Kit, Cvr, Fill, Ci [Na/Jp]	1
12	1046428	(10000000- 20000000 )	Seal, Afmkt, Rbr, Clsd, Adh, 02ft	1
13	1018155	(10000000- 20000000 )	Screw, Pan, Phl, M5 X 0.80 X 16, Tcut,Ss	2
14	07514	(10000000- 20000000 )	Washer, Lock, Int, 10, Ss	2
15	621443	(10000000- 20000000 )	Chain, Ball, 10, 0157mml, Ss	1
16	1214249	(10000000- 10809548 )	Tray, Accssry, Rh, 16mm Screw	1
17	1018155	(10000000- 10809548 )	Screw, Pan, Phl, M5 X 0.80 X 16, Tcut,Ss	2
▽	18	9013845	Clip Kit, Rail, [T300/T300e/Ss300] (Option - No Longer Available)	1
▲	19	1214292	Bracket, Hanger, Rail, Lrg (Option)	1
▲	20	1214291	Bracket, Hanger, Rail, Small (Option - No Longer Available)	2
	21	80491	Sleeve, P/M, 0.25b 0.38d 0.2l [430ss]	1
	22	1229734	Seal, Neo, 0.88, 1.00w 3.6l Adh	1
	23	1214292	Bracket, Hanger, Rail, Lrg (Option)	1
	24	1202143	Screw, Trs, M6 X 1.00 X 16, Phl, NI, Blk	1

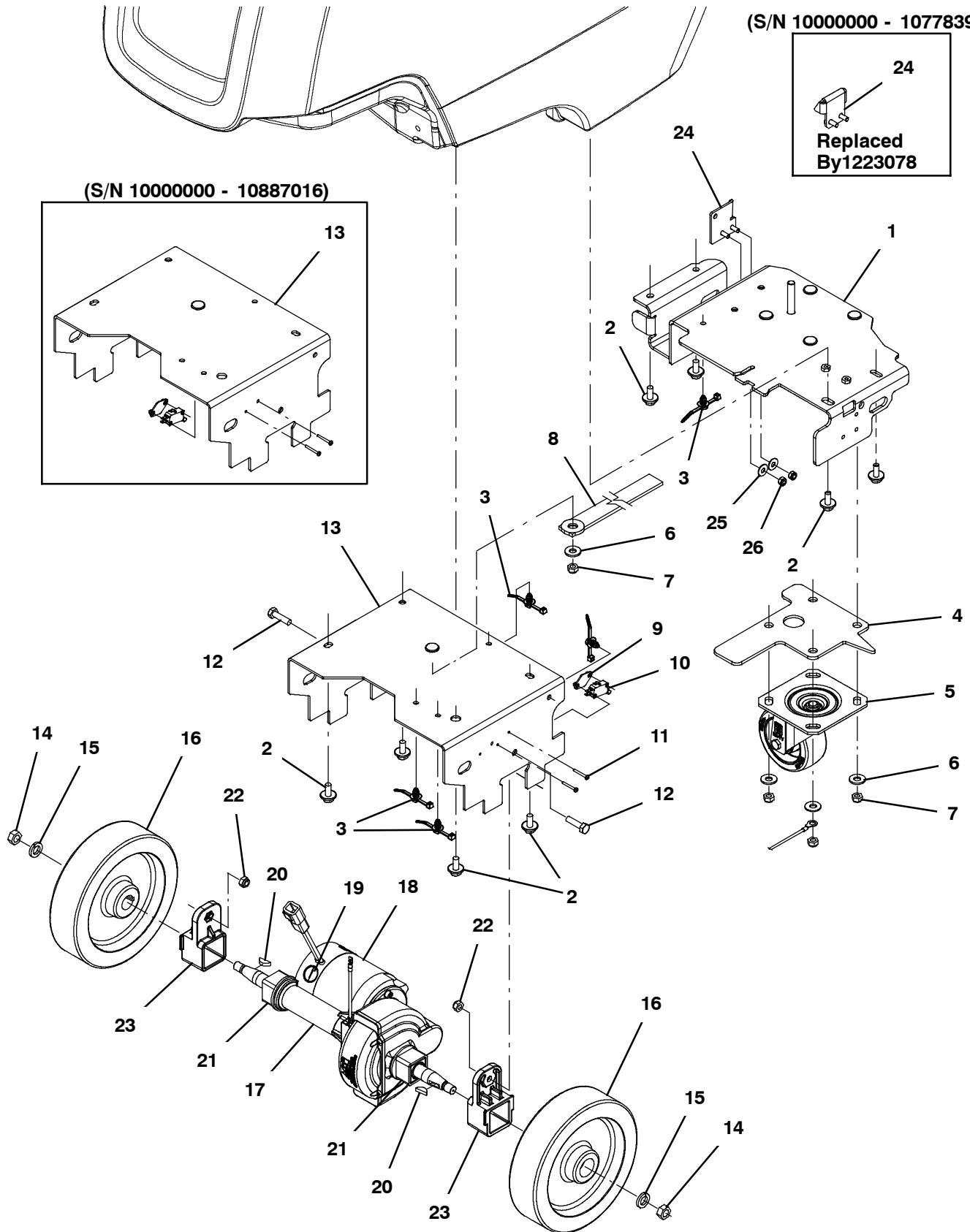
▽ ASSEMBLY

▲ INCLUDED IN ASSEMBLY

FRAME GROUP, PROPEL MODEL

355318

(S/N 1000000 - 10778393)



## FRAME GROUP, PROPEL MODEL

Ref.	Part No.	Serial Number	Description	Qty.	
1	1208498	(10000000- 20000000 )	Frame Wldt, Rear	1	
2	1020341	(10000000- 20000000 )	Screw, Hex, M8 X 1.25 X 20, Ss, Sems	8	
3	1210807	(10000000- 20000000 )	Wire, Tie [W/.25" Fir Tree Clip]	5	
4	1215093	(10000000- 20000000 )	Spacer, Caster	1	
5	1212422	(10000000- 20000000 )	Caster, Swivel [Wicke 224051]	1	
6	01685	(10000000- 20000000 )	Washer, Flat, 0.38b 0.88d .08, Ss	5	
7	08713	(10000000- 20000000 )	Nut, Hex, Lock, M8 X 1.25, NI, Ss	5	
8	71579	(10000000- 20000000 )	Strap, Static, W/Grommet, .19 1.1w 25.0l	1	
9	1013705	(10000000- 20000000 )	Plate, Thread, Switch, M3 Nut, 96hr PI	1	
10	1215716	(10000000- 20000000 )	Switch, 0.1a, Spdt[Micro, Gold Contacts]	1	
11	33933	(10000000- 20000000 )	Screw, Pan, Phl, M3 X 0.50 X 25, Ss	2	
12	09011	(10000000- 20000000 )	Screw, Hex, M8 X 1.25 X 30, Ss	2	
13	1234032	(10887017- 20000000 )	Frame Wldt, Front	1	
13	1211968	(10000000- 10887016 )	Frame Wldt, Front	1	
14	09741	(10000000- 20000000 )	Nut, Hex, Lock, M12 X 1.75, NI, Ss	2	
15	140058	(10000000- 20000000 )	Washer, Flat, 0.54b 0.88d .06, Ss [Wand]	2	
16	1223582	(10000000- 20000000 )	Wheel, Scrbr, 8.00d, W/ Taper	2	
▽	17	1209779	(10000000- 20000000 )	Transaxle, Ele, 24vdc, 112rpm [Asi]	1
▲		1017782	(10000000- 20000000 )	Coupling Kit, Transaxle, Replmt [11057]	1
▲▽	18	1216386	(10000000- 20000000 )	Motor, Transaxle, 24vdc, Replmt [UI, Ce]	1
▲▲	19	1212351	(10000000- 20000000 )	Brush Kit, Carbon, Transaxle, UI (1 Kit = 4 Pcs)	1
▲	20	1021167	(10000000- 20000000 )	Key, Woodruff, 5mm	2
▲	21	612880	(10000000- 20000000 )	Joint, Transaxle, Replmt	2
	22	08713	(10000000- 20000000 )	Nut, Hex, Lock, M8 X 1.25, NI, Ss	2
	23	1028292	(10000000- 20000000 )	Adapter, Mtg, Axle, Alm [T3]	2
	24	1223078	(10778394- 20000000 )	Bracket Wldt, Latch	1
	24	1013946	(10000000- 10778393 )	Bracket, Locking, Pedal, Foot (Replaced By 9014788)	1
	25	01684	(10000000- 20000000 )	Washer, Flat, 0.27b 0.69d .05, Ss	2
	26	08712	(10000000- 20000000 )	Nut, Hex, Lock, M6 X 1.00, NI, Ss	2

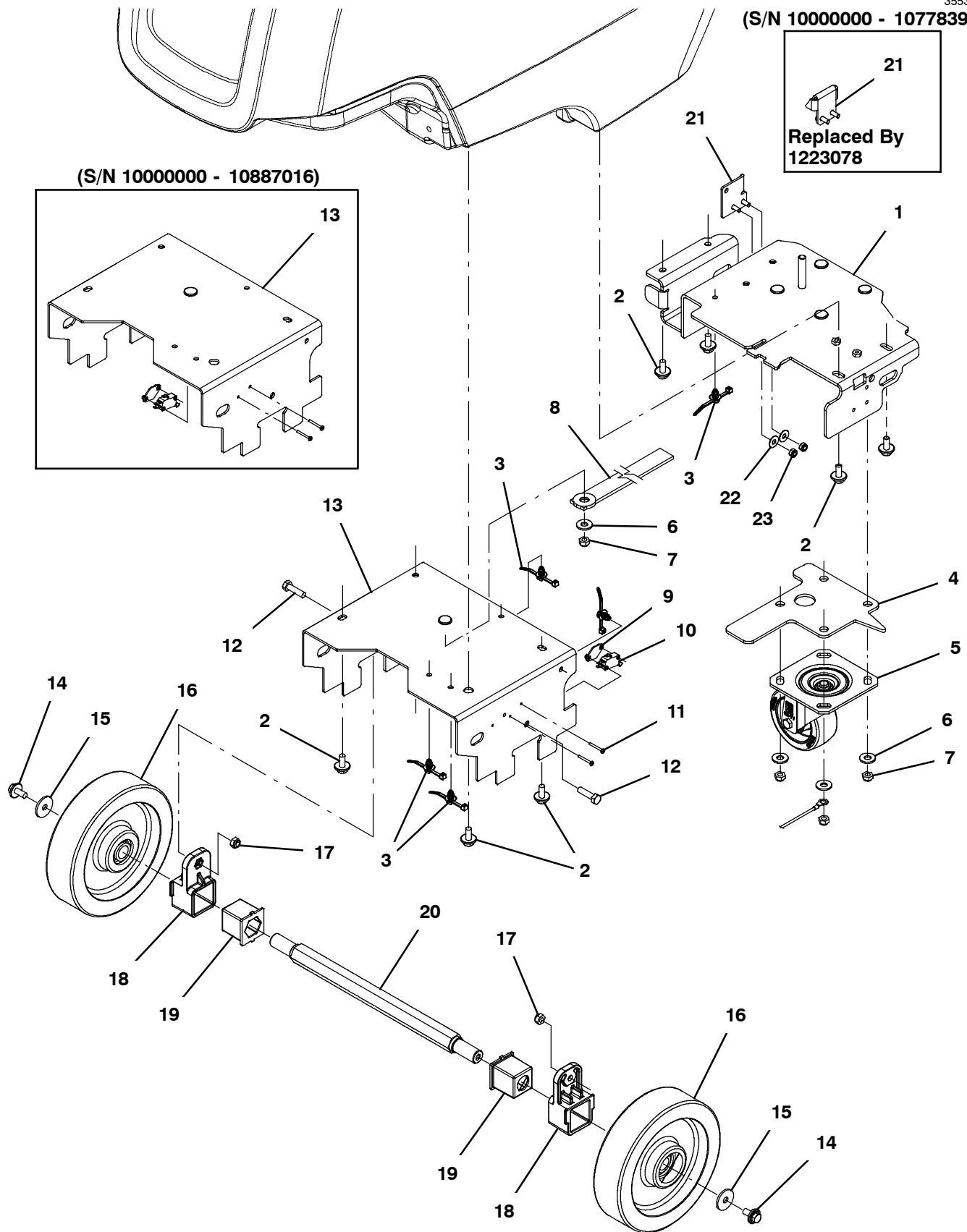
▽ ASSEMBLY

▲ INCLUDED IN ASSEMBLY

FRAME GROUP, PUSH MODEL

355319

(S/N 1000000 - 10778393)

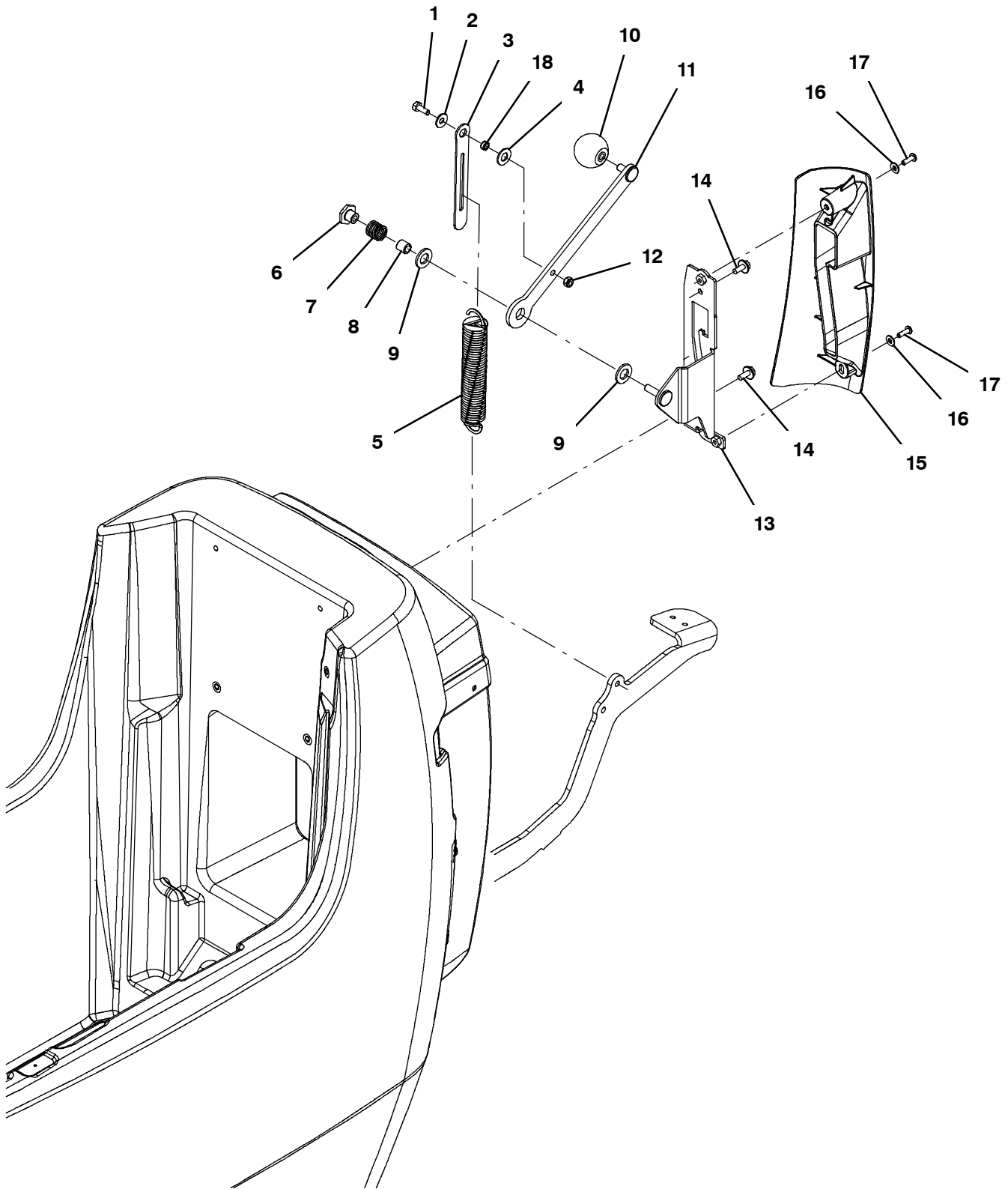


## FRAME GROUP, PUSH MODEL

Ref.	Part No.	Serial Number	Description	Qty.
1	1208498	(10000000- 20000000 )	Frame Wldt, Rear	1
2	1020341	(10000000- 20000000 )	Screw, Hex, M8 X 1.25 X 20, Ss, Sems	8
3	1210807	(10000000- 20000000 )	Wire, Tie [W/.25" Fir Tree Clip]	5
4	1215093	(10000000- 20000000 )	Spacer, Caster	1
5	1212422	(10000000- 20000000 )	Caster, Swivel [Wicke 224051]	1
6	01685	(10000000- 20000000 )	Washer, Flat, 0.38b 0.88d .08, Ss	5
7	08713	(10000000- 20000000 )	Nut, Hex, Lock, M8 X 1.25, NI, Ss	5
8	71579	(10000000- 20000000 )	Strap, Static, W/Grommet, .19 1.1w 25.0l	1
9	1013705	(10000000- 20000000 )	Plate, Thread, Switch, M3 Nut, 96hr PI	1
10	1215716	(10000000- 20000000 )	Switch, 0.1a, Spdt[Micro, Gold Contacts]	1
11	33933	(10000000- 20000000 )	Screw, Pan, Phl, M3 X 0.50 X 25, Ss	2
12	09011	(10000000- 20000000 )	Screw, Hex, M8 X 1.25 X 30, Ss	2
13	1234032	(10887017- 20000000 )	Frame Wldt, Front	1
13	1211968	(10000000- 10887016 )	Frame Wldt, Front	1
14	1020341	(10000000- 20000000 )	Screw, Hex, M8 X 1.25 X 20, Ss, Sems	2
15	1016331	(10000000- 20000000 )	Washer, Flat, 0.34b 1.25d .11, Ss	2
16	1223724	(10000000- 20000000 )	Wheel, Scrbr, 8.00d, W/ Brg	2
17	08713	(10000000- 20000000 )	Nut, Hex, Lock, M8 X 1.25, NI, Ss	2
18	1028292	(10000000- 20000000 )	Adapter, Mtg, Axle, Alm [T3]	2
19	1028381	(10000000- 20000000 )	Grommet, Axle [Tpu, T3 Push]	2
20	1028382	(10000000- 20000000 )	Axle, Wheel, Hex, Clr Zn [T3 Push]	1
21	1223078	(10778394- 20000000 )	Bracket Wldt, Latch	1
21	1013946	(10000000- 10778393 )	Bracket, Locking, Pedal, Foot (Replaced By 9014788)	1
22	01684	(10000000- 20000000 )	Washer, Flat, 0.27b 0.69d .05, Ss	2
23	08712	(10000000- 20000000 )	Nut, Hex, Lock, M6 X 1.00, NI, Ss	2

MANUAL DOWN PRESSURE GROUP

355283

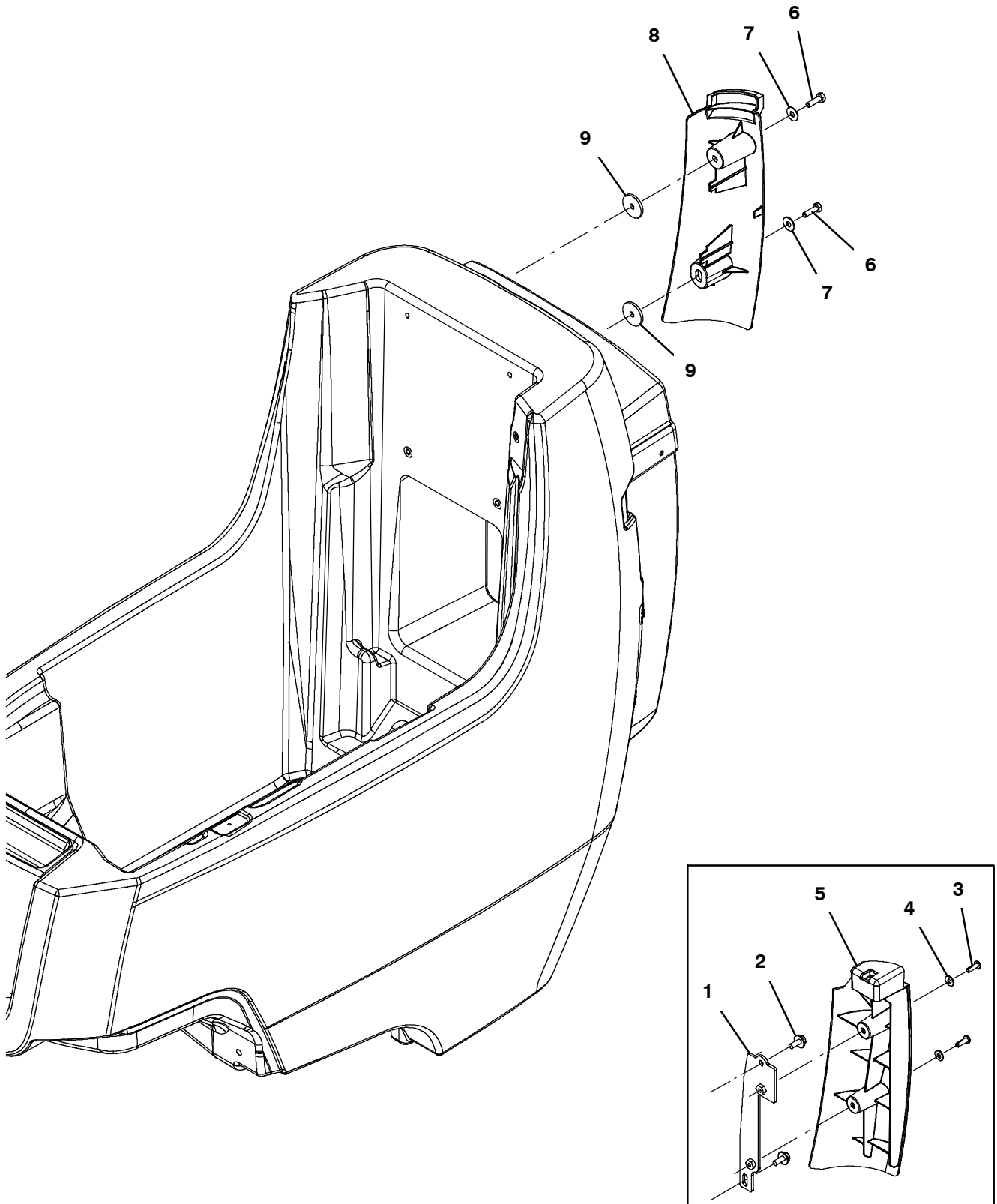


## MANUAL DOWN PRESSURE GROUP

Ref.	Part No.	Serial Number	Description	Qty.
1	11329	(10000000- 20000000 )	Screw, Hex, M6 X 1.00 X 16, NI, Ss	1
2	01684	(10000000- 20000000 )	Washer, Flat, 0.27b 0.69d .05, Ss	1
3	1213745	(10000000- 20000000 )	Plate, Link	1
4	20536	(10000000- 20000000 )	Washer, Flat, 0.45b 1.19d .06, Nyl	1
5	1216611	(10000000- 20000000 )	Spring, Extn, 1.14od, 0.13wir, 6.5l (Disk & Orbital Models)	1
5	1216677	(10000000- 20000000 )	Spring, Extn, 1.08od, 0.09wir, 6.5l (Cylindrical Model)	1
6	1018181	(10000000- 20000000 )	Nut, T, M8 X 1.25 X 0.50od X 0.4l	1
7	1018756	(10000000- 20000000 )	Spring, Cmpr, 0.70od .08wir 00.7l, Pl,Mw	1
8	222460	(10000000- 20000000 )	Sleeve, P/M, 0.32b 0.50d 0.5l [430ss]	1
9	1013936	(10000000- 20000000 )	Washer, Flat, 0.51b 0.94d .10, Nyl	2
10	1017156	(10000000- 20000000 )	Knob, Ball, M8 Insert, 40mmd, Plstc	1
11	1210591	(10000000- 20000000 )	Lever Wldt, Down Pressure, Mnl	1
12	08712	(10000000- 20000000 )	Nut, Hex, Lock, M6 X 1.00, NI, Ss	1
13	1210597	(10000000- 20000000 )	Bracket Wldt, Down Press, Mnl	1
14	1034731	(10000000- 20000000 )	Screw, Hex, M6 X 1.00 X 16, Sems, Ss	2
15	1209371	(10000000- 20000000 )	Cover, Lever Assy, Down- Press	1
16	01683	(10000000- 20000000 )	Washer, Flat, 10, Ss	2
17	1205799	(10000000- 20000000 )	Screw, Btn, M5 X 0.8 X 16, 8.8, NI, Torx	2
18	80491	(10000000- 20000000 )	Sleeve, P/M, 0.25b 0.38d 0.2l [430ss]	1

SINGLE DOWN PRESSURE GROUP

355284



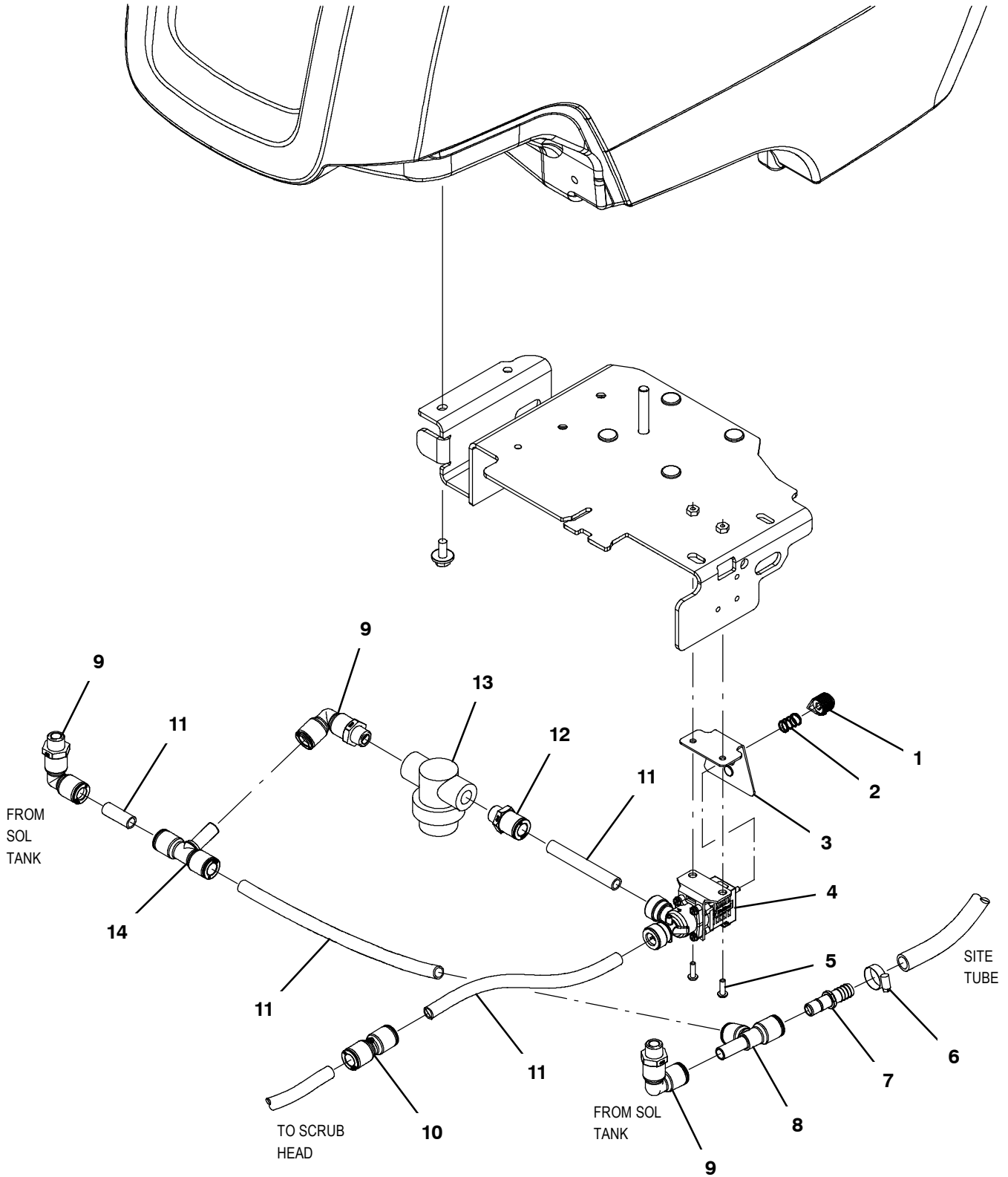


## SINGLE DOWN PRESSURE GROUP

Ref.	Part No.	Serial Number	Description	Qty.
1	1214330	(10000000- 10809548 )	Bracket Wldt, Mtg, Cover	1
2	1034731	(10000000- 10809548 )	Screw, Hex, M6 X 1.00 X 16, Sems, Ss	2
3	1205799	(10000000- 10809548 )	Screw, Btn, M5 X 0.8 X 16, 8.8, NI, Torx	2
4	01683	(10000000- 10809548 )	Washer, Flat, 10, Ss	2
5	1212336	(10000000- 10809548 )	Cover, Pulley Assy, Down- Press	1
6	12277	(10809549- 20000000 )	Screw, Hex, M6 X 1.00 X 20, NI, Ss	2
7	01684	(10809549- 20000000 )	Washer, Flat, 0.27b 0.69d .05, Ss	2
8	1224289	(10809549- 20000000 )	Cover, Tank, Rh, [T300/E/Ss]	1
9	1225843	(10809549- 20000000 )	Washer, Flat, M6 X 3 X 30, Retain, Nyl	2

SOLUTION GROUP, BASE MODEL

355307



## SOLUTION GROUP, BASE MODEL

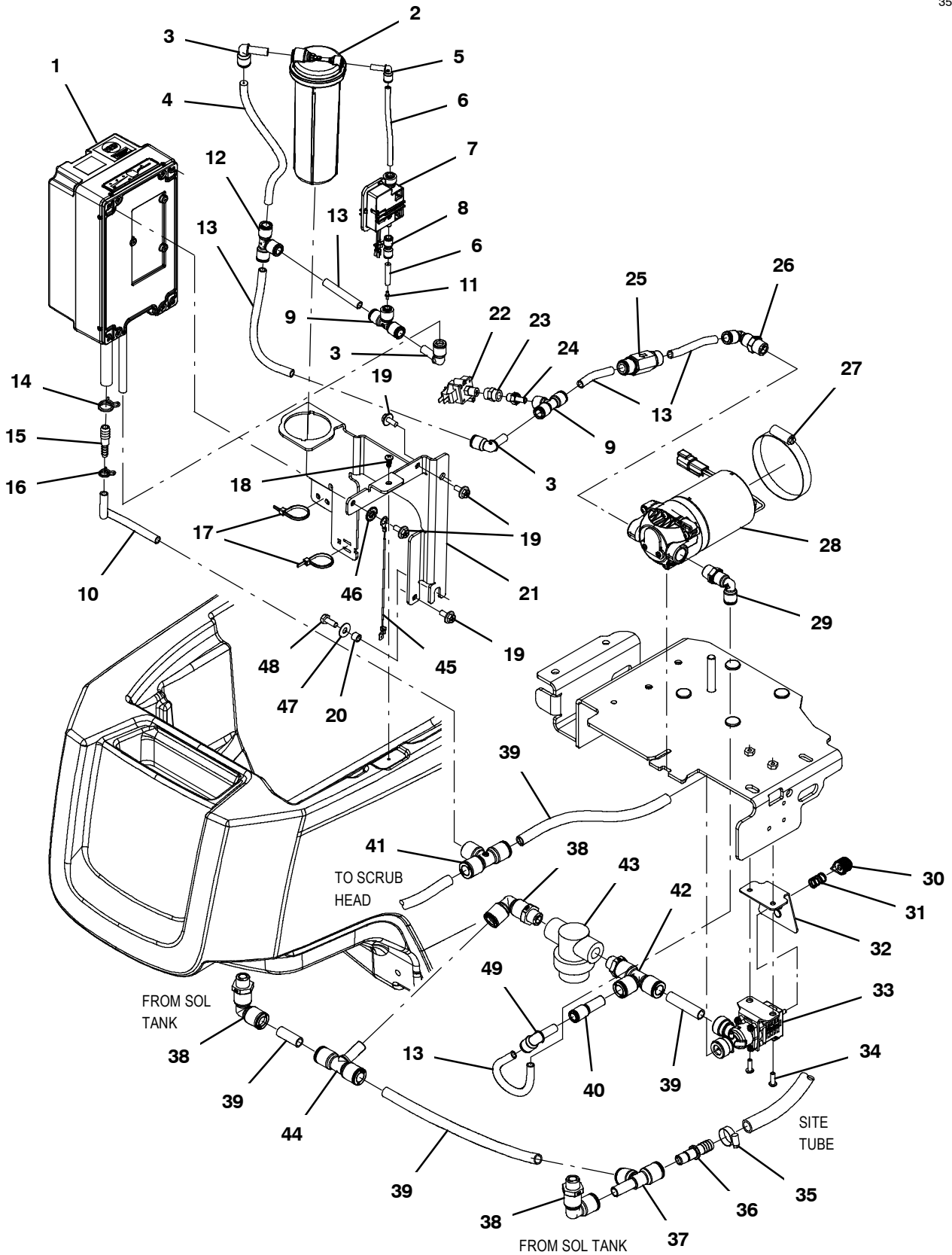
Ref.	Part No.	Serial Number	Description	Qty.	
1	1013442	(10000000- 20000000 )	Knob, Valve, 0.70d 0.61l, 0.21b	1	
2	1017091	(10000000- 20000000 )	Spring, Cmpr, 0.50od .04wir 00.8l	1	
3	1210041	(10000000- 20000000 )	Bracket Wldt, Mtg, Valve, Soltn	1	
4	1211423	(10000000- 20000000 )	Valve, Water, Solenoid, 24vdc Qf08/Qf08	1	
5	1205799	(10000000- 20000000 )	Screw, Btn, M5 X 0.8 X 16, 8.8, NI, Torx	2	
6	54333	(10000000- 20000000 )	Clamp, Hose, Wormdrive, 0.31- 0.88d, .31w	1	
7	1212807	(10000000- 20000000 )	Fitting, Plstc, Str, Qm08/Bm08	1	
8	1212806	(10000000- 20000000 )	Fitting, Plstc, Tee, Qf08/Qf08/Qm08	1	
9	1212987	(10000000- 20000000 )	Fitting, Plstc, E90, Qf08/Pm06, Swivel	3	
10	1212859	(10000000- 20000000 )	Fitting, Plstc, Str, Qf08/Qf08	1	
11	9014145	(10000000- 20000000 )	Hose, Afmkt, Pe, .375id .50od, 05ft	1	
12	1212813	(10000000- 20000000 )	Fitting, Plstc, Str, Qf08/Pm06	1	
▽	13	1211537	(10000000- 20000000 )	Filter, In- Line, Pf06/Pf06 080m 2.6l Epd	1
▲		1218885	(10000000- 20000000 )	Gasket [Epdm, F/1211537]	1
▲		1218883	(10000000- 20000000 )	Screen, Fltr, 80 Mesh, Ss [W/ Cage]	1
▲		613991	(10000000- 20000000 )	Bowl, Clr, Short, F/1005302	1
14	1212810	(10000000- 20000000 )	Fitting, Plstc, Tee, Qm08/Qf08/Qf08	1	

▽ ASSEMBLY

▲ INCLUDED IN ASSEMBLY

SOLUTION GROUP, BASE MODEL ec- H2O

355309



## SOLUTION GROUP, BASE MODEL ec- H2O

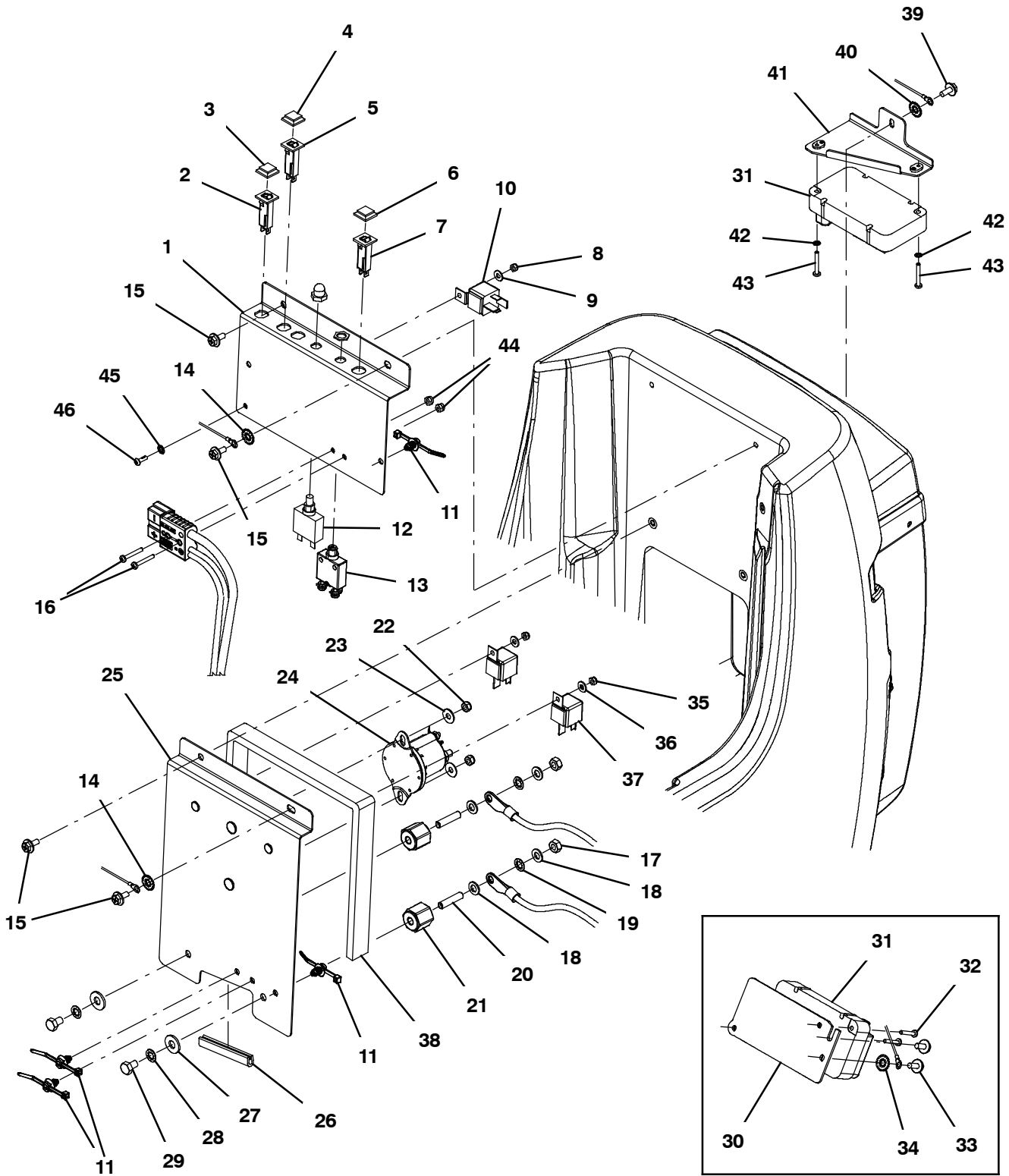
Ref.	Part No.	Serial Number	Description	Qty.
▽	1	9011810	(10000000- 20000000 ) Module Kit, Replmt [Ec- H2o, B 02] (See Breakdowns)	1
▲	2	9013646	(10000000- 20000000 ) Cartridge, Ec- H2o Nanoclean Wcm, 270ml	1
	3	1215186	(10000000- 20000000 ) Fitting, Plstc, E90, Qf06/Qm06	1
	4	9014146	(10000000- 20000000 ) Hose, Afmkt, Pvc, 0.06id .38od, 05ft	1
	5	1214339	(10000000- 20000000 ) Fitting, Plstc, E90, Qfo4/Qm04	1
	6	9014147	(10000000- 20000000 ) Hose, Afmkt, Pvc, 0.06id .25od, 05ft	1
	7	1216973	(10000000- 20000000 ) Pump Assy, Dispenser	1
	8	1218192	(10000000- 20000000 ) Fitting, Plstc, Str, Qf04/Qf04	1
	9	1212855	(10000000- 20000000 ) Fitting, Plstc, Tee, Qf04/Qf06/Qf06	2
	10	1006415	(10000000- 20000000 ) Hose, Afmkt, Pvc, Clr, 0.25id, 03ft	1
	11	1214972	(10000000- 20000000 ) Fitting, Orifice, Str, Bm01/Bm01	1
	12	1212573	(10000000- 20000000 ) Fitting, Plstc, Tee, Qf06/Qf06/Qf06	1
	13	9014148	(10000000- 20000000 ) Hose, Afmkt, Nat, 0.25id 0.375od, 06ft	1
	14	607775	(10000000- 20000000 ) Clamp, Hose, Wir, .63 - .66, Blk	1
	15	1039557	(10000000- 20000000 ) Fitting, Plstc, Str, Bm04/Bm06	1
	16	613735	(10000000- 20000000 ) Clamp, Hose, Wir, .40 - .42, Yel	1
	17	130773	(10000000- 20000000 ) Tie, Cable, Nyl, 11.0l, .14w, 3.0 Max. D	2
	18	1018155	(10000000- 20000000 ) Screw, Pan, Phl, M5 X 0.80 X 16, Tcut, Ss	1
	19	1034731	(10000000- 20000000 ) Screw, Hex, M6 X 1.00 X 16, Sems, Ss	5
	20	140154	(10000000- 20000000 ) Sleeve, P/M, 0.25b 0.38d 0.3l, Pl	1
	21	1209249	(10000000- 20000000 ) Bracket, Mtg, Ec- H2O Module [T300]	1
	22	1044335	(10000000- 20000000 ) Switch, Press, 6psi, Pm02	1
	23	150307	(10000000- 20000000 ) Fitting, Brs, Str, Pf02/Pf02, Cplg	1
	24	1216185	(10000000- 20000000 ) Fitting, Plstc, Str, Qm04/Pm02	1
	25	1215527	(10000000- 20000000 ) Valve, Check, 1.0 Psi Qf06/Qf06	1
	26	1212812	(10000000- 20000000 ) Fitting, Plstc, E90, Qf06/Pm06, Swivel	1
	27	43555	(10000000- 20000000 ) Clamp, Hose, Wormdrive, 2.62- 3.50d	1
	28	1210517	(10000000- 20000000 ) Pump, Soltn, Ele, 24vdc, 35 Psi	1
	29	1212812	(10000000- 20000000 ) Fitting, Plstc, E90, Qf06/Pm06, Swivel	1
	30	1013442	(10000000- 20000000 ) Knob, Valve, 0.70d 0.61l, 0.21b	1
	31	1017091	(10000000- 20000000 ) Spring, Cmpr, 0.50od .04wir 00.8l	1
	32	1210041	(10000000- 20000000 ) Bracket Wldt, Mtg, Valve, Soltn	1
	33	1211423	(10000000- 20000000 ) Valve, Water, Solenoid, 24vdc Qf08/Qf08	1
	34	1205799	(10000000- 20000000 ) Screw, Btn, M5 X 0.8 X 16, 8.8, NI, Torx	2
	35	54333	(10000000- 20000000 ) Clamp, Hose, Wormdrive, 0.31- 0.88d, .31w	1
	36	1212807	(10000000- 20000000 ) Fitting, Plstc, Str, Qm08/Bm08	1
	37	1212806	(10000000- 20000000 ) Fitting, Plstc, Tee, Qf08/Qf08/Qm08	1
	38	1212987	(10000000- 20000000 ) Fitting, Plstc, E90, Qf08/Pm06, Swivel	3
	39	9014145	(10000000- 20000000 ) Hose, Afmkt, Pe, .375id .50od, 05ft	1
	40	1215218	(10000000- 20000000 ) Fitting, Plstc, Str, Qf06/Qm08	1
	41	1212875	(10000000- 20000000 ) Fitting, Plstc, Tee, Qf06/Qf08/Qf08	1
	42	1212808	(10000000- 20000000 ) Fitting, Plstc, Tee, Qf08/Qf08/Pm06	1
▽	43	1211537	(10000000- 20000000 ) Filter, In- Line, Pf06/Pf06 080m 2.6l Epd	1
▲		1218885	(10000000- 20000000 ) Gasket [Epdm, F/1211537]	1
▲		1218883	(10000000- 20000000 ) Screen, Fltr, 80 Mesh, Ss [W/ Cage]	1
▲		613991	(10000000- 20000000 ) Bowl, Clr, Short, F/1005302	1
	44	1212810	(10000000- 20000000 ) Fitting, Plstc, Tee, Qm08/Qf08/Qf08	1
	45	1074344	(10000000- 20000000 ) Harness, Ele [Ring With .250m Tail]	1
	46	41140	(10000000- 20000000 ) Washer, Lock, Int- Ext, 0.25	1
	47	01684	(10000000- 20000000 ) Washer, Flat, 0.27b 0.69d .05, Ss	1
	48	12277	(10000000- 20000000 ) Screw, Hex, M6 X 1.00 X 20, NI, Ss	1
	49	1215186	(10890202- 20000000 ) Fitting, Plstc, E90, Qf06/Qm06	1

▽ ASSEMBLY

▲ INCLUDED IN ASSEMBLY

ELECTRICAL COMPONENTS GROUP, BASE MODEL

355320

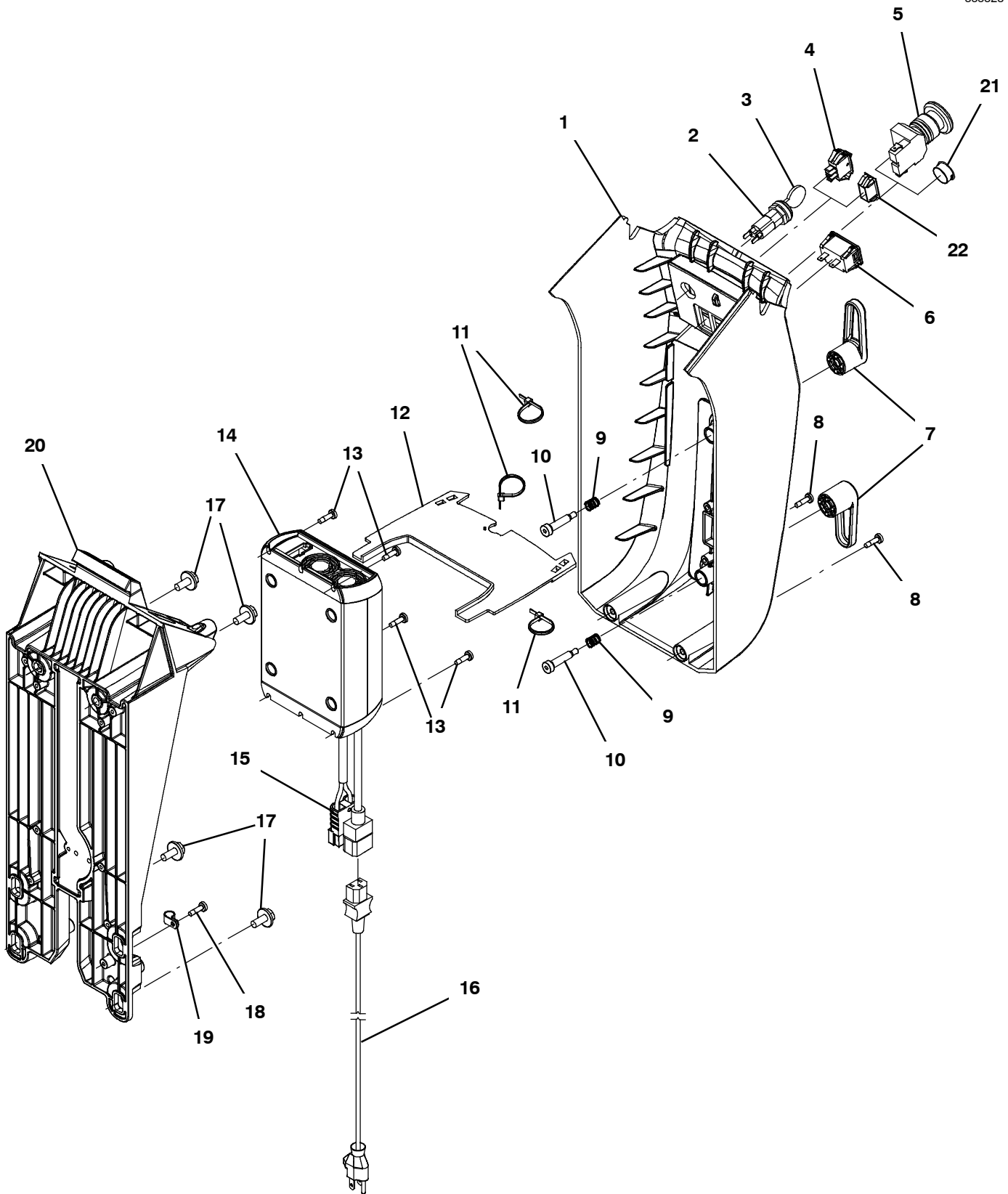


## ELECTRICAL COMPONENTS GROUP, BASE MODEL

Ref.	Part No.	Serial Number	Description	Qty.
1	9014188	(10000000- 20000000 )	Bracket Wldt, Afmkt, Mtg [Circuitbrkrs]	1
2	1208816	(10000000- 20000000 )	Circuitbreaker, 04.0a, Resetable	1
3	1064191	(10000000- 20000000 )	Boot, Circuitbreaker	1
4	1064191	(xxxxxxx- 20000000 )	Boot, Circuitbreaker (ec- H2O Option)	1
4	1064191	(10000000- xxxxxxx )	Boot, Circuitbreaker (ec- H2O Option)	2
5	1064187	(xxxxxxx- 20000000 )	Circuitbreaker, 10.0a, Resetable	1
5	1208816	(10000000- xxxxxxx )	Circuitbreaker, 04.0a, Resetable (ec- H2O Option)	2
6	1064191	(10000000- 20000000 )	Boot, Circuitbreaker	1
7	1064189	(10000000- 20000000 )	Circuitbreaker, 20.0a, Resetable	1
8	09739	(10000000- 20000000 )	Nut, Hex, Lock, M5 X 0.80, NI, Ss (ec- H2O Option)	1
9	01683	(10000000- 20000000 )	Washer, Flat, 10, Ss (ec- H2O Option)	1
10	1012216	(10000000- 20000000 )	Relay, 24vdc, 070a, Spst No, Plug- In (ec- H2O Option)	1
11	1210807	(10000000- 20000000 )	Wire, Tie [W/.25" Fir Tree Clip]	4
12	383725	(10000000- 20000000 )	Circuitbreaker, 30.0a, Resetable (Propel Model)	1
13	1074526	(10000000- 20000000 )	Circuitbreaker, 37.0a	1
14	41140	(10000000- 20000000 )	Washer, Lock, Int- Ext, 0.25	2
15	1034731	(10000000- 20000000 )	Screw, Hex, M6 X 1.00 X 16, Sems, Ss	4
16	33931	(10000000- 20000000 )	Screw, Pan, Phl, M4 X 0.70 X 30, Ss	2
17	41361	(10000000- 20000000 )	Nut, Hex, Std, M8 X 1.25, Brs	2
18	1209373	(10000000- 20000000 )	Washer, Flat, M8.4b X 16d X 1.6, Brs	4
19	43952	(10000000- 20000000 )	Washer, Lock, Int, 0.31, Ss	2
20	607461	(10000000- 20000000 )	Screw, Set, M8 X 1.25 X 35, NI	2
21	1205345	(10000000- 20000000 )	Stand- Off, Wir, M8, Insulator, Panel	2
22	09739	(10000000- 20000000 )	Nut, Hex, Lock, M5 X 0.80, NI, Ss	2
23	01684	(10000000- 20000000 )	Washer, Flat, 0.27b 0.69d .05, Ss	2
24	1066409	(10000000- 20000000 )	Relay, 24vdc, 150a, No [Trombetta]	1
25	1208619	(10000000- 20000000 )	Bracket Wldt, Mtg, Ele	1
26	1020174	(10000000- 20000000 )	Molding, Afmkt, Trim, Pvc, .08 .11, 03ft	1
27	01685	(10000000- 20000000 )	Washer, Flat, 0.38b 0.88d .08, Ss	2
28	32984	(10000000- 20000000 )	Washer, Lock, Int, 0.31	2
29	386868	(10000000- 20000000 )	Screw, Hex, M8 X 1.25 X 12, Ss	2
30	1210078	(10000000- 10813435 )	Bracket Wldt, Drive (Propel Model)	1
31	9014613	(10000000- 20000000 )	Controller Kit, Spd, Ci [T300/E/Ss300] (Propel Model)	1
32	04403	(10000000- 10813435 )	Screw, Pan, Phl, M4 X 0.70 X 25, NI, Ss (Propel Model)	2
33	1034731	(10000000- 10813435 )	Screw, Hex, M6 X 1.00 X 16, Sems, Ss (Propel Model)	2
34	41140	(10000000- 10813435 )	Washer, Lock, Int- Ext, 0.25 (Propel Model)	1
35	09739	(10000000- 20000000 )	Nut, Hex, Lock, M5 X 0.80, NI, Ss	2
36	01683	(10000000- 20000000 )	Washer, Flat, 10, Ss	2
37	1012216	(10000000- 20000000 )	Relay, 24vdc, 070a, Spst No, Plug- In	2
38	1208628	(10000000- 20000000 )	Gasket, Cover, Circuitboard	1
39	1034731	(10813436- 20000000 )	Screw, Hex, M6 X 1.00 X 16, Sems, Ss	1
40	41140	(10813436- 20000000 )	Washer, Lock, Int- Ext, 0.25	1
41	1223824	(10813436- 20000000 )	Bracket Wldt, Mtg, Cntrl, [T300/T300e]	1
42	02938	(10813436- 20000000 )	Washer, Lock, Int, 08, Ss	2
43	33931	(10813436- 20000000 )	Screw, Pan, Phl, M4 X 0.70 X 30, Ss	2
44	02850	(10000000- 20000000 )	Nut, Hex, Lock, M4 X 0.70, NI	2
45	07515	(10000000- 20000000 )	Washer, Lock, Int, 0.25, Ss	1
46	1205799	(10000000- 20000000 )	Screw, Btn, M5 X 0.8 X 16, 8.8, NI, Torx	1

LOWER CONSOLE GROUP, ON-BOARD CHARGER

355328





## LOWER CONSOLE GROUP, ON-BOARD CHARGER

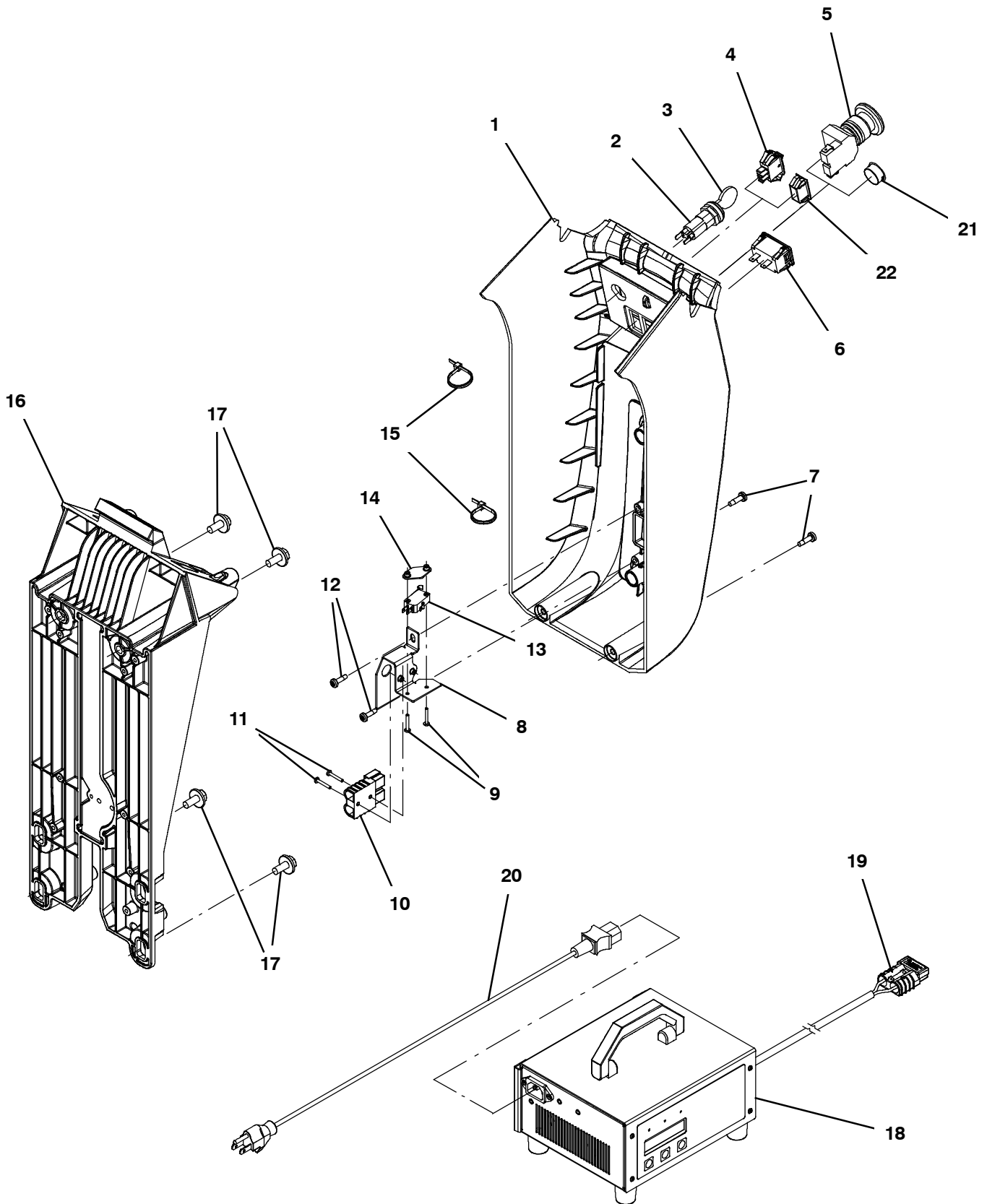
Ref.	Part No.	Serial Number	Description	Qty.
	1	9012789	(10000000- 20000000 ) Cover, Console, Afmkt, W/ Label [Na]	1
	1	9012790	(10000000- 20000000 ) Cover, Console, Afmkt, W/ Label [Jp]	1
▽	2	1011402	(10000000- 20000000 ) Switch, Key	1
▲	3	1017696	(10000000- 20000000 ) Key Set, Replmt [F/ Keyswitch 1011402]	1
	4	1044393	(10000000- 20000000 ) Switch, Rocker, Spst Mom (ec- H2O Option)	1
	5	1011735	(10000000- 20000000 ) Switch, Safety, Shutoff (Propel Model)	1
	6	1064038	(10000000- 20000000 ) Gauge, Hourmeter, 05- 277 Volt, Ac / Dc	1
	7	1205496	(10000000- 20000000 ) Hook, Cord	2
	8	1043573	(10795905- 20000000 ) Screw, #10- 14 X 0.675, Spl[Shcs,Selftap]	2
	8	1205799	(10000000- 10795904 ) Screw, Btn, M5 X 0.8 X 16, 8.8, NI, Torx	2
	9	611311	(10000000- 20000000 ) Spring, Cmpr, 0.40od .05wir 00.5l, Pl,Mw	2
	10	1024965	(10000000- 20000000 ) Bolt, Shld, 08mmd X 030mm, M06 X 1.0	2
	11	130773	(10000000- 20000000 ) Tie, Cable, Nyl, 11.0l, .14w, 3.0 Max. D	3
	12	1211582	(10000000- 20000000 ) Cover, Chrgr [Small Spe]	1
	13	1043573	(10795905- 20000000 ) Screw, #10- 14 X 0.675, Spl[Shcs,Selftap]	4
	13	1205799	(10000000- 10795904 ) Screw, Btn, M5 X 0.8 X 16, 8.8, NI, Torx	4
▽	14	9015304	(10000000- 20000000 ) Charger Kit, 24vdc 13a 100- 240vac[On- Bd] (North America Only)	1
▽	14	1219737	(10000000- 20000000 ) Charger, 24vdc, 100- 240vac, On- Brd, Intl	1
▲	15	605387	(10000000- 20000000 ) Connector, Anderson, 050a, Red [W/O Con]	1
	16	1025642	(10000000- 20000000 ) Cord, Power, 16/3, 15ft Blk [Us]	1
	16	1026330	(10000000- 20000000 ) Cord, Power, 1.0mm2 [2.5meter] (China)	1
	16	1026325	(10000000- 20000000 ) Cord, Power, 1.0mm2/3 Blk[2.5meter, Aus]	1
	16	1048304	(10000000- 20000000 ) Cord, Power [4.5meter, India, S.Africa]	1
	17	1020341	(10000000- 20000000 ) Screw, Hex, M8 X 1.25 X 20, Ss, Sems	4
	18	1043573	(10795905- 20000000 ) Screw, #10- 14 X 0.675, Spl[Shcs,Selftap]	1
	18	1205799	(10000000- 10795904 ) Screw, Btn, M5 X 0.8 X 16, 8.8, NI, Torx	1
	19	26395- 2	(10000000- 20000000 ) Clamp, Cable, Stl, 0.38d X 0.38w, 1hole	1
	20	1231373	(10795905- 20000000 ) Frame, Column, Cntrl [Im], T600	1
	20	1216531	(10000000- 10795904 ) Frame, Column, Cntrl [Revised Machined]	1
	21	130161	(10000000- 20000000 ) Plug, Hole, Rnd, 0.88d, Blk (Push Model)	1
	22	582150	(10000000- 20000000 ) Plug, Hole, Rt, 1.23 X 1.12, Nyl (Standard Model)	1

▽ ASSEMBLY

▲ INCLUDED IN ASSEMBLY

LOWER CONSOLE GROUP, OFF-BOARD CHARGER

355329



## LOWER CONSOLE GROUP, OFF- BOARD CHARGER

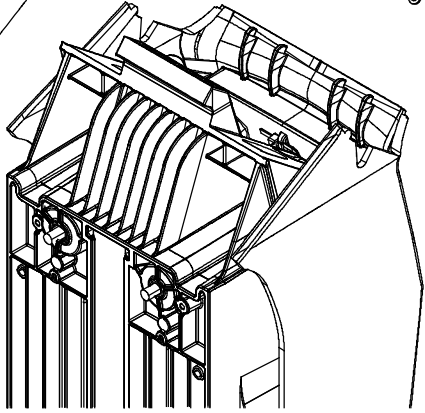
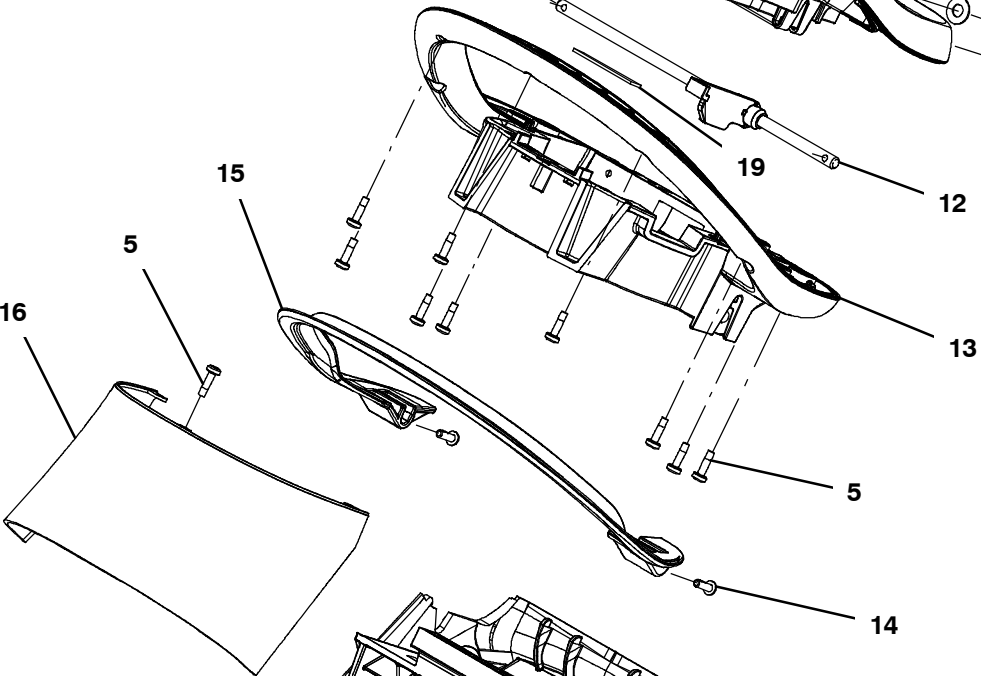
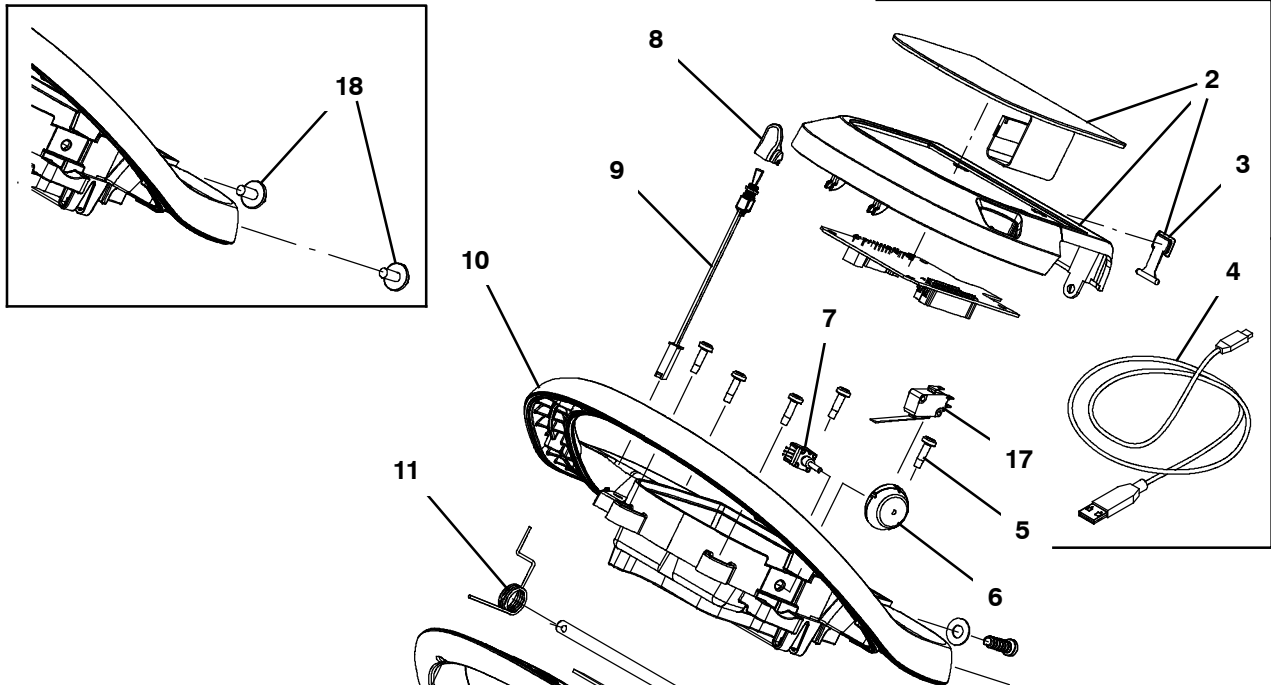
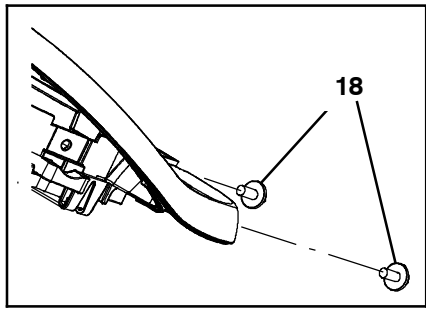
Ref.	Part No.	Serial Number	Description	Qty.	
1	9012789	(10000000- 20000000 )	Cover, Console, Afmkt, W/ Label [Na]	1	
1	9012790	(10000000- 20000000 )	Cover, Console, Afmkt, W/ Label [Jp]	1	
▽	2	1011402	(10000000- 20000000 ) Switch, Key	1	
▲	3	1017696	(10000000- 20000000 ) Key Set, Replmt [F/ Keyswitch 1011402]	1	
4	1044393	(10000000- 20000000 )	Switch, Rocker, Spst Mom (ec- H2O Model)	1	
5	1011735	(10000000- 20000000 )	Switch, Safety, Shutoff (Propel Model)	1	
6	1064038	(10000000- 20000000 )	Gauge, Hourmeter, 05- 277 Volt, Ac / Dc	1	
7	1043573	(10795905- 20000000 )	Screw, #10- 14 X 0.675, Spl[Shcs,Selftap]	2	
7	1205799	(10000000- 10795904 )	Screw, Btn, M5 X 0.8 X 16, 8.8, NI, Torx	2	
8	1208599	(10000000- 20000000 )	Bracket Assy, Plug, Charger	1	
9	06922	(10000000- 20000000 )	Screw, Pan, Phl, M3 X 0.50 X 20, 4.8	2	
10	605387	(10000000- 20000000 )	Connector, Anderson, 050a, Red [W/O Con]	1	
11	06922	(10000000- 20000000 )	Screw, Pan, Phl, M3 X 0.50 X 20, 4.8	2	
12	1043573	(10000000- 20000000 )	Screw, #10- 14 X 0.675, Spl[Shcs,Selftap]	2	
13	1215716	(10000000- 20000000 )	Switch, 0.1a, Spdt[Micro, Gold Contacts]	1	
14	1013705	(10000000- 20000000 )	Plate, Thread, Switch, M3 Nut, 96hr PI	1	
15	130773	(10000000- 20000000 )	Tie, Cable, Nyl, 11.0l, .14w, 3.0 Max. D	2	
16	1231373	(10795905- 20000000 )	Frame, Column, Cntrl [Im], T600	1	
16	1216531	(10000000- 10795904 )	Frame, Column, Cntrl [Revised Machined]	1	
17	1020341	(10000000- 20000000 )	Screw, Hex, M8 X 1.25 X 20, Ss, Sems	4	
▽	18	1212837	(10000000- 20000000 )	Charger, 24vdc, 13a 85- 265vac [Offboard]	1
▲	19	605387	(10000000- 20000000 )	Connector, Anderson, 050a, Red [W/O Con]	1
20	1025642	(10000000- 20000000 )	Cord, Power, 16/3, 15ft Blk [Us]	1	
20	1026330	(10000000- 20000000 )	Cord, Power, 1.0mm2 [2.5meter] (China)	1	
20	1026325	(10000000- 20000000 )	Cord, Power, 1.0mm2/3 Blk[2.5meter, Aus]	1	
20	1048304	(10000000- 20000000 )	Cord, Power [4.5meter, India, S.Africa]	1	
21	130161	(10000000- 20000000 )	Plug, Hole, Rnd, 0.88d, Blk (Push Model)	1	
22	582150	(10000000- 20000000 )	Plug, Hole, Rt, 1.23 X 1.12, Nyl (Standard Model)	1	

▽ ASSEMBLY

▲ INCLUDED IN ASSEMBLY

HANDLE GROUP, BASE PROPEL MODEL

355326



## HANDLE GROUP, BASE PROPEL MODEL

Ref.	Part No.	Serial Number	Description	Qty.
▽	1	9014131*	(10000000- 20000000 ) Bezel Kit, Propel, Membrane, Ci [T300e/S (Kit Includes Circuitboard)	1
▲▽	2	9014137	(10000000- 20000000 ) Screen Kit, Propel, Memb., Ci [T300e/Ss]	1
▲▲	3	1205618	(10000000- 20000000 ) Cap, Usb	1
▲	4	1071235	(10000000- 20000000 ) Cable [Usb, 2m, A- Male To Mini- B- Male]	1
	5	1043573	(10000000- 20000000 ) Screw, #10- 14 X 0.675, Spl[Shcs,Selftap]	15
	6	1234365	(10000000- 20000000 ) Dial, Range, Speed	1
	7	1204930	(10000000- 20000000 ) Potentiometer [100k, 1 Turn, B5/B7]	1
	8	1209730	(10000000- 20000000 ) Cap, Toggle, Direction	1
	9	1209673	(10000000- 20000000 ) Switch Assy, Toggle, Direction	1
	10	1203787	(10000000- 20000000 ) Housing, Handle, Cntrl, Top	1
	11	1205781	(10000000- 20000000 ) Spring, Return, Bail	1
	12	1205143	(10000000- 20000000 ) Shaft Assy, Bail, Handle	1
	13	1222608	(10000000- 20000000 ) Housing, Handle, Cntrl, Bottom, Slotted	1
	14	1205799	(10000000- 20000000 ) Screw, Btn, M5 X 0.8 X 16, 8.8, NI, Torx	2
	15	1205778	(10000000- 20000000 ) Handle, Bail [Machined]	1
	16	1207004	(10000000- 20000000 ) Cover, Handle, Cntrl	1
	17	1205323	(10000000- 20000000 ) Switch, 0.1a, Spdt [Micro, Straight]	1
	18	1020341	(10000000- 10795904 ) Screw, Hex, M8 X 1.25 X 20, Ss, Sems	2
	19	1020280	(10000000- 20000000 ) Seal, Afmkt, Rbr, Clsd, Adh, 01ft	1
	20	1215863	(10795905- 20000000 ) Screw, Pan, Torx, M8 X 3.5 X 25[Remform]	2
	21	140027	(10795905- 20000000 ) Washer, Flat, 0.35b 0.75d .04, Ss	2
	N/S	1072524	(10000000- 20000000 ) Harness, Ele [Bail Switch]	1

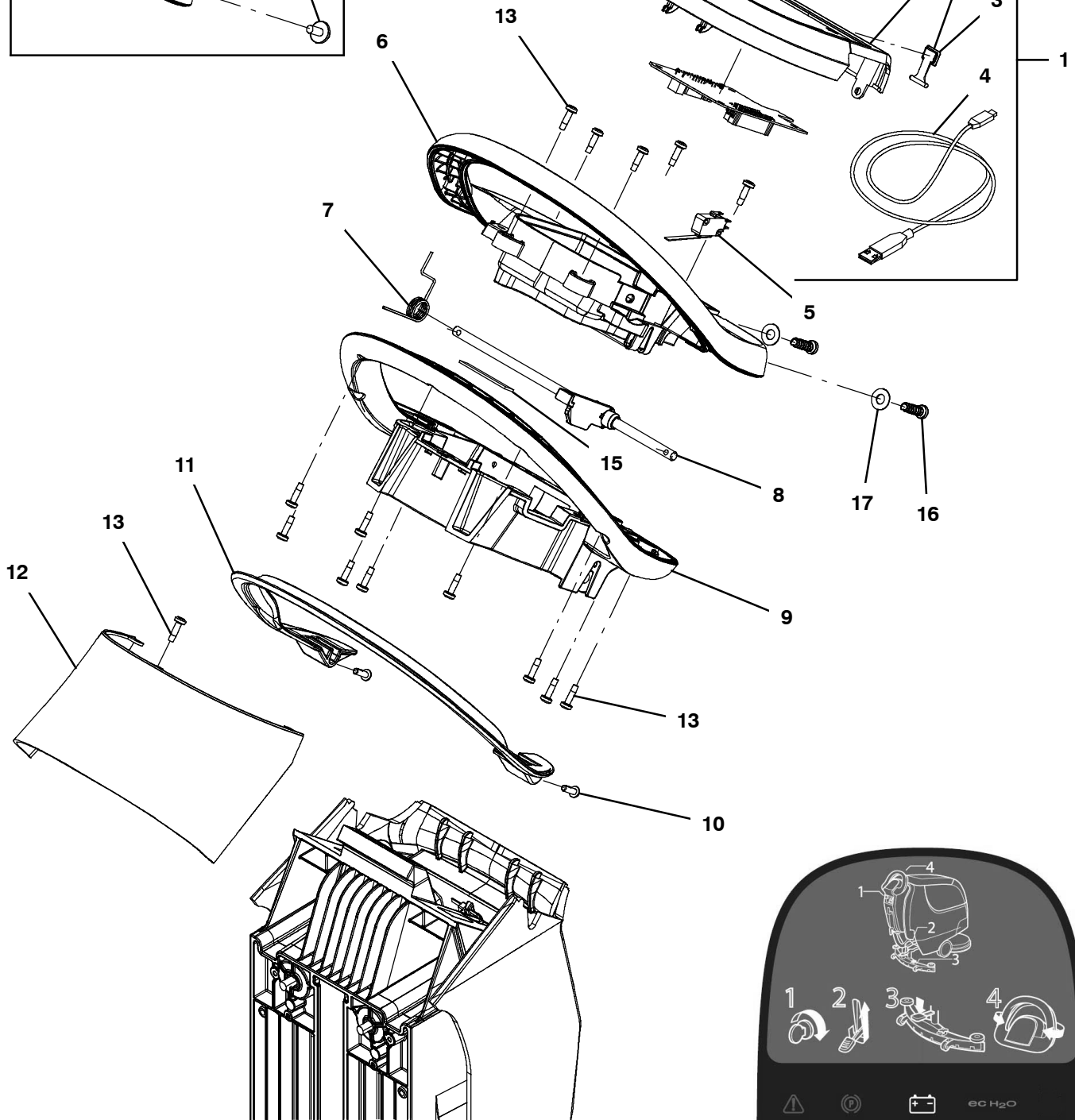
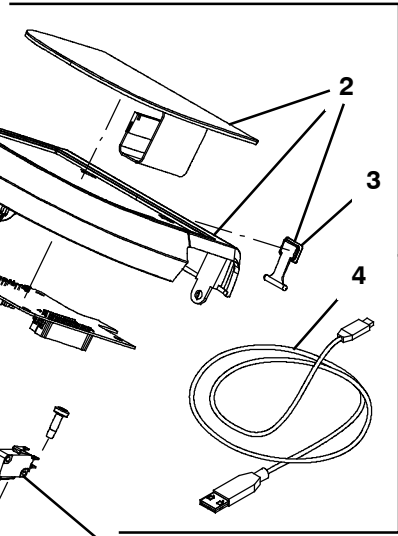
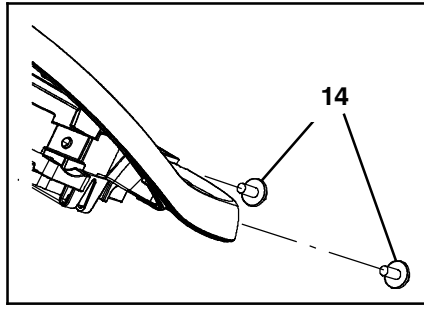
\* Requires Tennant *True* service or an authorized Tennant service provider.

▽ ASSEMBLY

▲ INCLUDED IN ASSEMBLY

HANDLE GROUP, BASE PUSH MODEL

355327



## HANDLE GROUP, BASE PUSH MODEL

Ref.	Part No.	Serial Number	Description	Qty.
▽	1	9014130*	(10000000- 20000000 ) Bezel Kit, Push, Membrane, Ci [T300e/Ss] (Kit Includes Circuitboard)	1
▲▽	2	9014136	(10000000- 20000000 ) Screen Kit, Push, Memb., Ci [T300e/Ss]	1
▲▲	3	1205618	(10000000- 20000000 ) Cap, Usb	1
▲	4	1071235	(10000000- 20000000 ) Cable [Usb, 2m, A- Male To Mini- B- Male]	1
	5	1205323	(10000000- 20000000 ) Switch, 0.1a, Spdt [Micro, Straight]	1
	6	1203787	(10000000- 20000000 ) Housing, Handle, Cntrl, Top	1
	7	1205781	(10000000- 20000000 ) Spring, Return, Bail	1
	8	1205143	(10000000- 20000000 ) Shaft Assy, Bail, Handle	1
	9	1222608	(10000000- 20000000 ) Housing, Handle, Cntrl, Bottom, Slotted	1
	10	1205799	(10000000- 20000000 ) Screw, Btn, M5 X 0.8 X 16, 8.8, NI, Torx	2
	11	1205778	(10000000- 20000000 ) Handle, Bail [Machined]	1
	12	1207004	(10000000- 20000000 ) Cover, Handle, Cntrl	1
	13	1043573	(10000000- 20000000 ) Screw, #10- 14 X 0.675, Spl[Shcs,Selftap]	15
	14	1020341	(10000000- 10795904 ) Screw, Hex, M8 X 1.25 X 20, Ss, Sems	2
	15	1020280	(10000000- 20000000 ) Seal, Afmkt, Rbr, Clsd, Adh, 01ft	1
	16	1215863	(10795905- 20000000 ) Screw, Pan, Torx, M8 X 3.5 X 25[Remform]	2
	17	140027	(10795905- 20000000 ) Washer, Flat, 0.35b 0.75d .04, Ss	2
	N/S	1072524	(10000000- 20000000 ) Harness, Ele [Bail Switch]	1

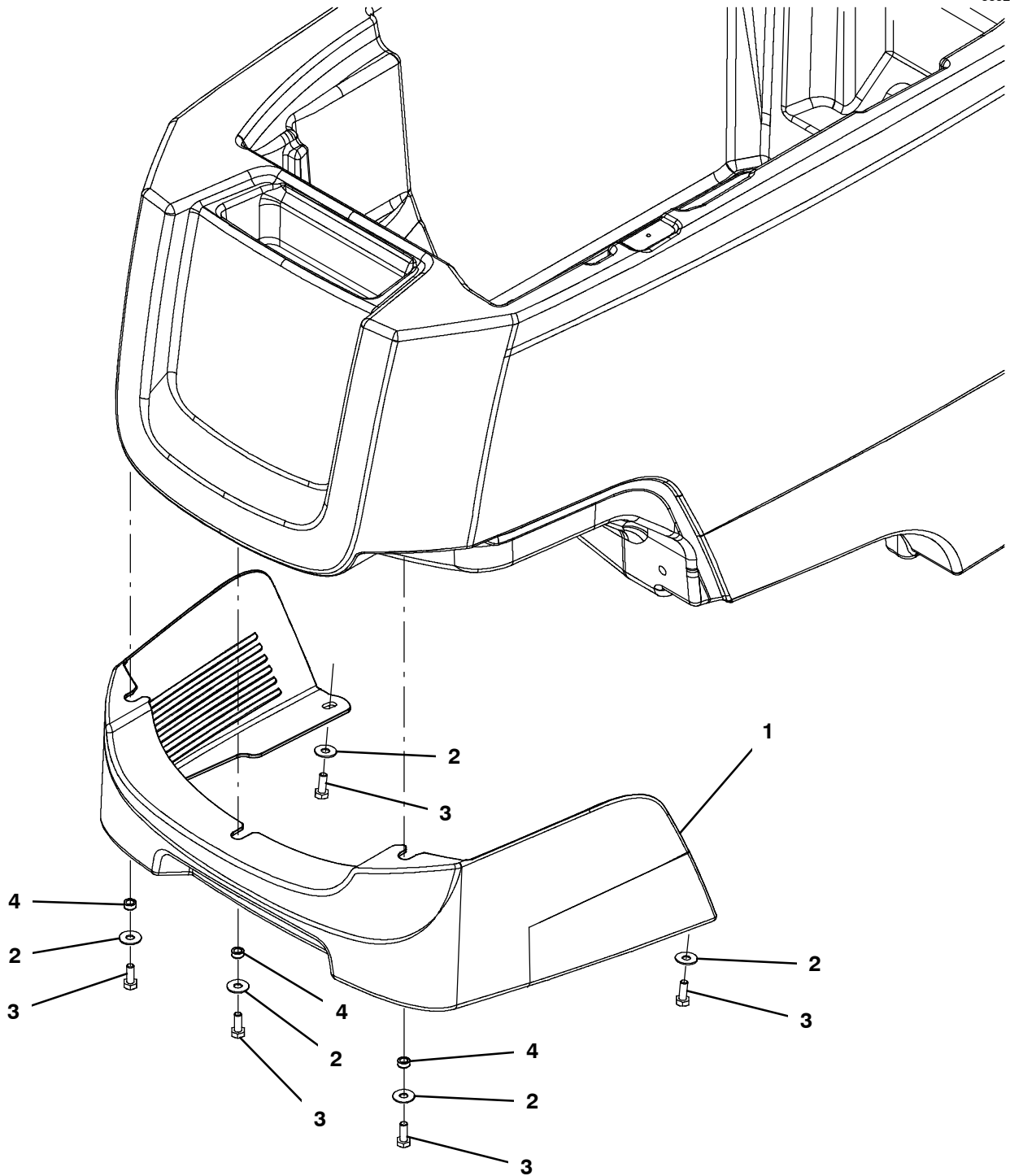
\* Requires Tennant *True* service or an authorized Tennant service provider.

▽ ASSEMBLY

▲ INCLUDED IN ASSEMBLY

SHROUD GROUP, DISK AND ORBITAL HEAD

355299



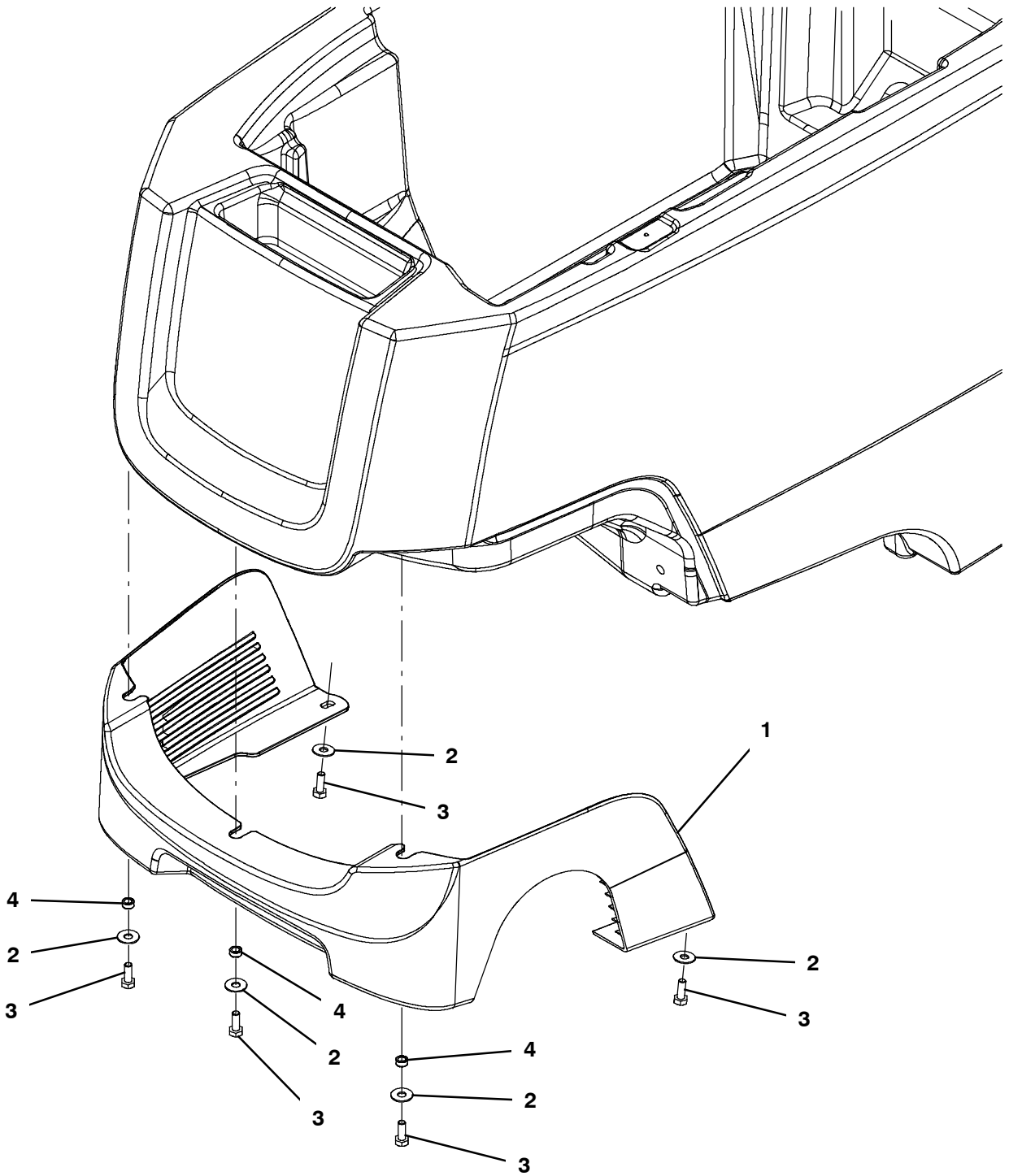


## SHROUD GROUP, DISK AND ORBITAL HEAD

Ref.	Part No.	Serial Number	Description	Qty.
1	1210029	(10000000- 20000000 )	Cover, Head, Disk, Im- Hg [T300]	1
2	01684	(10000000- 20000000 )	Washer, Flat, 0.27b 0.69d .05, Ss	5
3	11329	(10000000- 20000000 )	Screw, Hex, M6 X 1.00 X 16, NI, Ss	5
4	80491	(10000000- 20000000 )	Sleeve, P/M, 0.25b 0.38d 0.2l [430ss]	3

SHROUD GROUP, CYLINDRICAL HEAD

355300



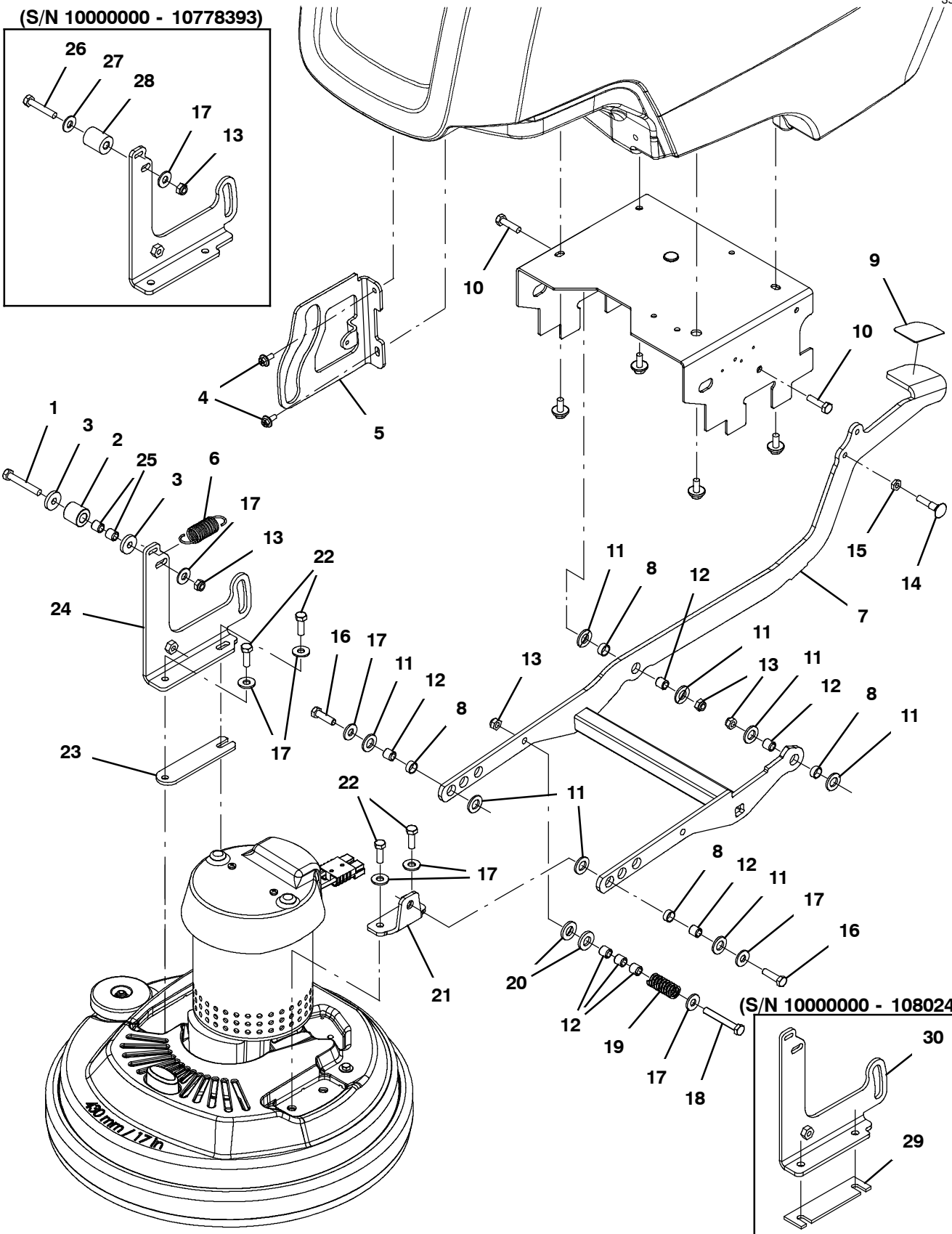
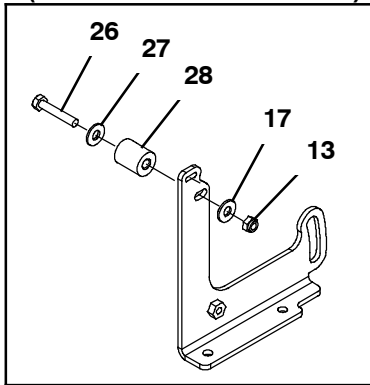
## SHROUD GROUP, CYLINDRICAL HEAD

Ref.	Part No.	Serial Number	Description	Qty.
1	1213570	(10000000- 20000000 )	Cover, Head, Cylrlcl, Im- Hg [T300]	1
2	01684	(10000000- 20000000 )	Washer, Flat, 0.27b 0.69d .05, Ss	5
3	11329	(10000000- 20000000 )	Screw, Hex, M6 X 1.00 X 16, NI, Ss	5
4	80491	(10000000- 20000000 )	Sleeve, P/M, 0.25b 0.38d 0.2l [430ss]	3

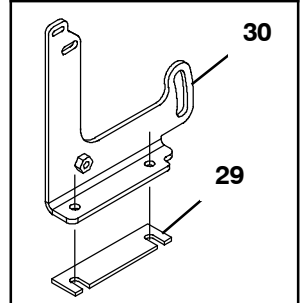
SCRUB HEAD LIFT GROUP, 43CM DISK MODEL

355354

(S/N 1000000 - 10778393)



(S/N 1000000 - 10802497)



## SCRUB HEAD LIFT GROUP, 43CM DISK MODEL

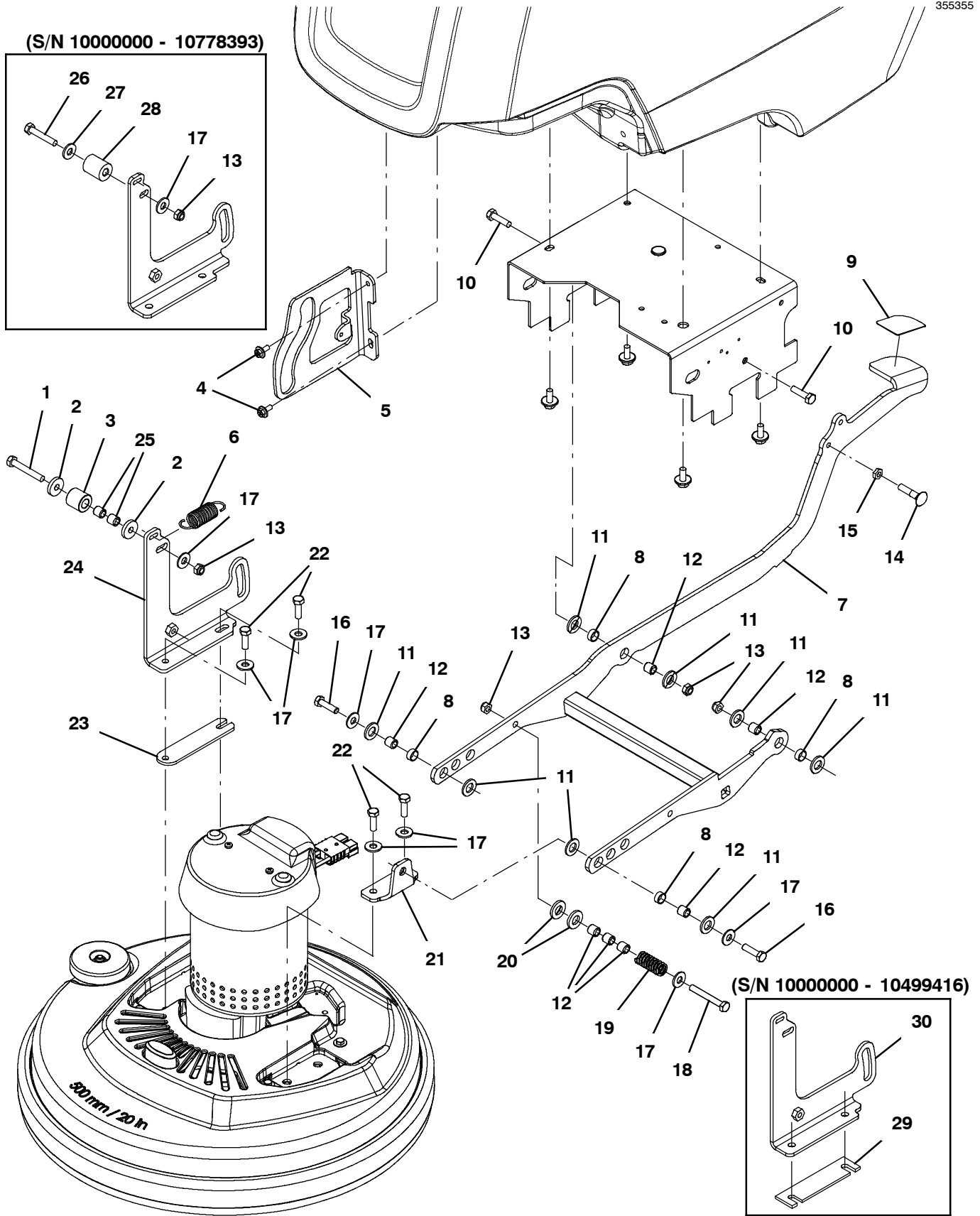
Ref.	Part No.	Serial Number	Description	Qty.
1	222504	(10778394- 20000000 )	Screw, Hex, M8 X 1.25 X 55, Ss	1
2	1028796	(10778394- 20000000 )	Washer, Flat, 0.33b 1.00d .18, Stl, Pl	2
3	1014020	(10778394- 20000000 )	Roller, 0.99d 0.50b 0.95l, Acetal	1
4	1034731	(10000000- 20000000 )	Screw, Hex, M6 X 1.00 X 16, Sems, Ss	2
5	1213063	(10000000- 20000000 )	Bracket, Guide, Head [Vw]	1
6	1032420	(10000000- 20000000 )	Spring, Extn, 0.85od 0.09wir 02.9l	1
▽	7	9016811	(10887017- 20000000 ) Kit, Lift, Head, Ci [T300/T300e/Ss300]	1
▲	8	630188	(10000000- 20000000 ) Bearing, Journal, .50id X .25l	8
▽	7	9014170	(10000000- 10887016 ) Kit, Lift, Head[T300/T300e/Ss300] (Replaced by 9016811)	1
▲	8	630188	(10000000- 20000000 ) Bearing, Journal, .50id X .25l	8
9	1218694	(10000000- 20000000 )	Pad, Pedal, Lift	1
10	09011	(10000000- 20000000 )	Screw, Hex, M8 X 1.25 X 30, Ss	2
11	1013936	(10000000- 20000000 )	Washer, Flat, 0.51b 0.94d .10, Nyl	8
12	222460	(10000000- 20000000 )	Sleeve, P/M, 0.32b 0.50d 0.5l [430ss]	7
13	08713	(10000000- 20000000 )	Nut, Hex, Lock, M8 X 1.25, NI, Ss	4
14	1235108	(10000000- 20000000 )	Bolt, Carriage, M8 X 1.25 X 90, Fl	1
15	200101017	(10000000- 20000000 )	Nut, Hex, Jam, M8 X 1.25	1
16	1016399	(10000000- 20000000 )	Screw, Hex, M8 X 1.25 X 30, NI, Ss	2
17	01685	(10000000- 20000000 )	Washer, Flat, 0.38b 0.88d .08, Ss	8
18	1014163	(10000000- 20000000 )	Screw, Hex, M8 X 1.25 X 60, Fl, Ss	1
19	140430	(10000000- 20000000 )	Spring, Cmpr, 0.70od .10wir 01.7l	1
20	140127	(10000000- 20000000 )	Washer, Thrust, 0.51b 1.00d 0.12w, Brz	2
21	1210258	(10000000- 20000000 )	Bracket Wldt, Head Mtg, 43d/50d, Short	1
22	12333	(10000000- 20000000 )	Screw, Hex, M8 X 1.25 X 25, Ss, NI	4
23	1223982	(10802498- 20000000 )	Spacer, Head, 4mm (Push Model)	1
24	1223962	(10802498- 20000000 )	Bracket Wldt, Mtg, Head, 43d/50d, Tall	1
25	222460	(10778394- 20000000 )	Sleeve, P/M, 0.32b 0.50d 0.5l [430ss]	2
26	49694	(10000000- 10778393 )	Screw, Hex, M8 X 1.25 X 50, Ss	1
27	01685	(10000000- 10778393 )	Washer, Flat, 0.38b 0.88d .08, Ss	1
28	1214039	(10000000- 10778393 )	Roller, Lift, Head	1
29	1032791	(10000000- 10802497 )	Spacer, Head, 4mm [Ss3] (Push Model)	1
30	1210256	(10000000- 10802497 )	Bracket Wldt, Mtg, Head, 50d, Tall [Vw] (Replaced By 1223962)	1

▽ ASSEMBLY

▲ INCLUDED IN ASSEMBLY

SCRUB HEAD LIFT GROUP, 50CM DISK MODEL

355355



## SCRUB HEAD LIFT GROUP, 50CM DISK MODEL

Ref.	Part No.	Serial Number	Description	Qty.
1	222504	(10778394- 20000000 )	Screw, Hex, M8 X 1.25 X 55, Ss	1
2	1028796	(10778394- 20000000 )	Washer, Flat, 0.33b 1.00d .18, Stl, Pl	2
3	1014020	(10778394- 20000000 )	Roller, 0.99d 0.50b 0.95l, Acetal	1
4	1034731	(10000000- 20000000 )	Screw, Hex, M6 X 1.00 X 16, Sems, Ss	2
5	1213063	(10000000- 20000000 )	Bracket, Guide, Head [Vw]	1
6	1032420	(10000000- 20000000 )	Spring, Extn, 0.85od 0.09wir 02.9l	1
▽	7	9016811	(10887017- 20000000 ) Kit, Lift, Head, Ci [T300/T300e/Ss300]	1
▲	8	630188	(10000000- 20000000 ) Bearing, Journal, .50id X .25l	8
▽	7	9014170	(10000000- 10887016 ) Kit, Lift, Head[T300/T300e/Ss300] (Replaced by 9016811)	1
▲	8	630188	(10000000- 20000000 ) Bearing, Journal, .50id X .25l	8
9	1218694	(10000000- 20000000 )	Pad, Pedal, Lift	1
10	09011	(10000000- 20000000 )	Screw, Hex, M8 X 1.25 X 30, Ss	2
11	1013936	(10000000- 20000000 )	Washer, Flat, 0.51b 0.94d .10, Nyl	8
12	222460	(10000000- 20000000 )	Sleeve, P/M, 0.32b 0.50d 0.5l [430ss]	7
13	08713	(10000000- 20000000 )	Nut, Hex, Lock, M8 X 1.25, NI, Ss	4
14	1235108	(10000000- 20000000 )	Bolt, Carriage, M8 X 1.25 X 90, Fl	1
15	200101017	(10000000- 20000000 )	Nut, Hex, Jam, M8 X 1.25	1
16	1016399	(10000000- 20000000 )	Screw, Hex, M8 X 1.25 X 30, NI, Ss	2
17	01685	(10000000- 20000000 )	Washer, Flat, 0.38b 0.88d .08, Ss	8
18	1014163	(10000000- 20000000 )	Screw, Hex, M8 X 1.25 X 60, Fl, Ss	1
19	140430	(10000000- 20000000 )	Spring, Cmpr, 0.70od .10wir 01.7l	1
20	140127	(10000000- 20000000 )	Washer, Thrust, 0.51b 1.00d 0.12w, Brz	2
21	1210258	(10000000- 20000000 )	Bracket Wldt, Head Mtg, 43d/50d, Short	1
22	12333	(10000000- 20000000 )	Screw, Hex, M8 X 1.25 X 25, Ss, NI	4
23	1223982	(10499417- 20000000 )	Spacer, Head, 4mm (Push Model)	1
24	1223962	(10499417- 20000000 )	Bracket Wldt, Mtg, Head, 43d/50d, Tall	1
25	222460	(10778394- 20000000 )	Sleeve, P/M, 0.32b 0.50d 0.5l [430ss]	2
26	49694	(10000000- 10778393 )	Screw, Hex, M8 X 1.25 X 50, Ss	1
27	01685	(10000000- 10778393 )	Washer, Flat, 0.38b 0.88d .08, Ss	1
28	1214039	(10000000- 10778393 )	Roller, Lift, Head	1
29	1032791	(10000000- 10499416 )	Spacer, Head, 4mm [Ss3] (Push Model)	1
30	1210256	(10000000- 10499416 )	Bracket Wldt, Mtg, Head, 50d, Tall [Vw] (Replaced By 1223962)	1

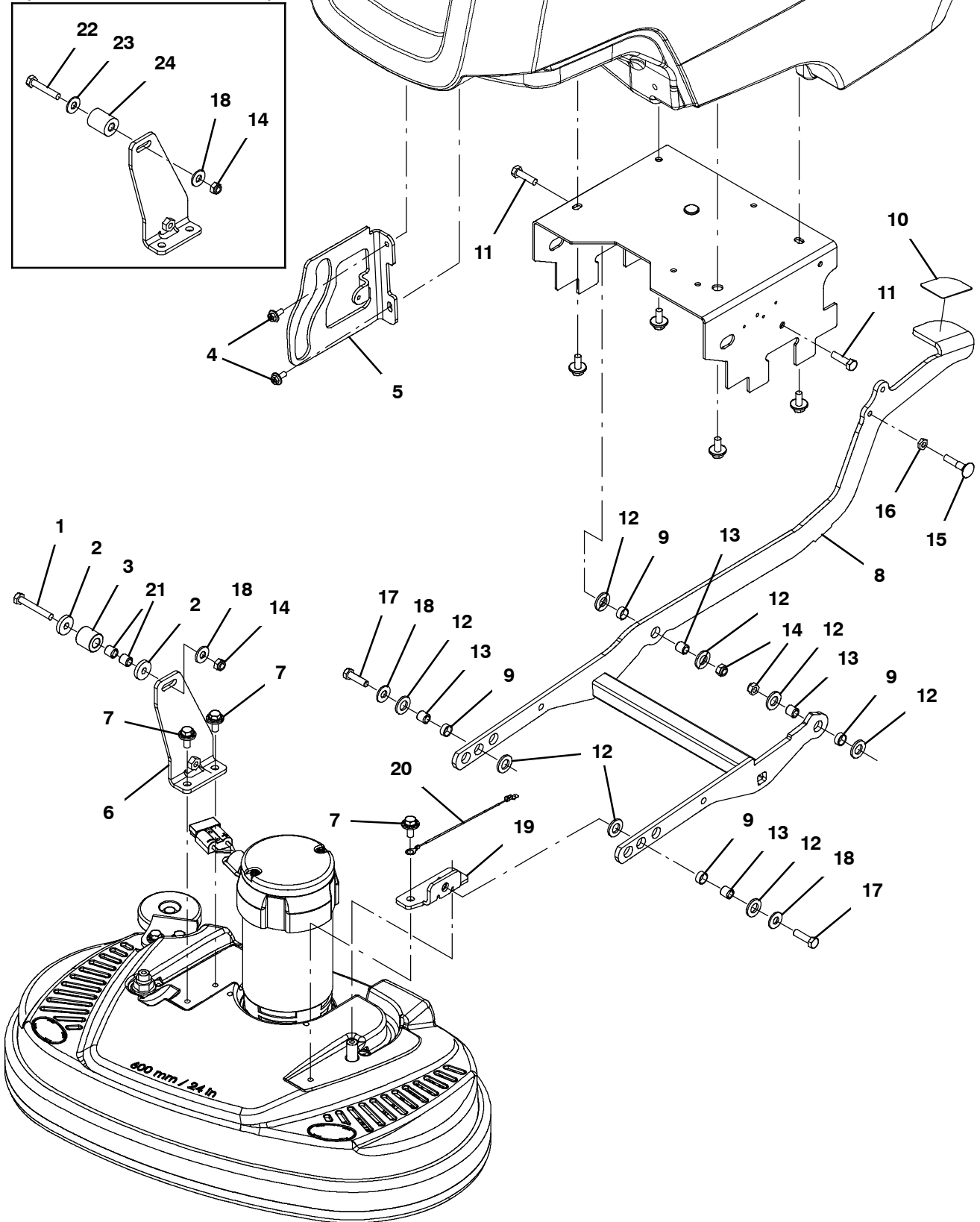
▽ ASSEMBLY

▲ INCLUDED IN ASSEMBLY

SCRUB HEAD LIFT GROUP, 60CM DUAL DISK MODEL

355356

(S/N 1000000 - 10778393)





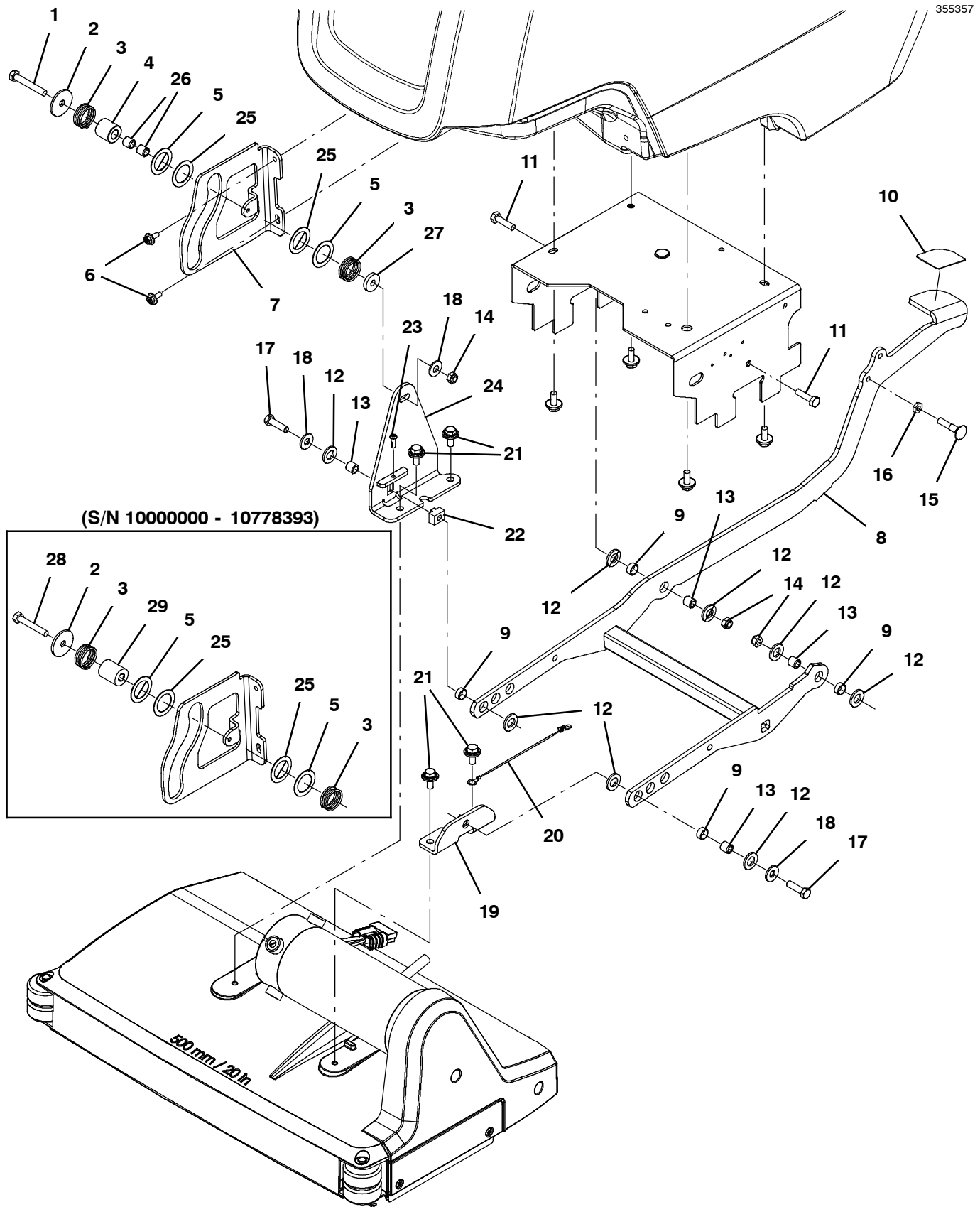
## SCRUB HEAD LIFT GROUP, 60CM DUAL DISK MODEL

Ref.	Part No.	Serial Number	Description	Qty.
1	222504	(10778394- 20000000 )	Screw, Hex, M8 X 1.25 X 55, Ss	1
2	1028796	(10778394- 20000000 )	Washer, Flat, 0.33b 1.00d .18, Stl, Pl	2
3	1014020	(10778394- 20000000 )	Roller, 0.99d 0.50b 0.95l, Acetal	1
4	1034731	(10000000- 20000000 )	Screw, Hex, M6 X 1.00 X 16, Sems, Ss	2
5	1213063	(10000000- 20000000 )	Bracket, Guide, Head [Vw]	1
6	1213220	(10000000- 20000000 )	Bracket Wldt, Mtg, Head, 60dd, Tall [Vw]	1
7	1020341	(10000000- 20000000 )	Screw, Hex, M8 X 1.25 X 20, Ss, Sems	3
▽	8	9016811	(10887017- 20000000 ) Kit, Lift, Head, Ci [T300/T300e/Ss300]	1
▲	9	630188	(10000000- 20000000 ) Bearing, Journal, .50id X .25l	8
▽	8	9014170	(10000000- 10887016 ) Kit, Lift, Head[T300/T300e/Ss300] (Replaced by 9016811)	1
▲	9	630188	(10000000- 20000000 ) Bearing, Journal, .50id X .25l	8
	10	1218694	(10000000- 20000000 ) Pad, Pedal, Lift	1
	11	09011	(10000000- 20000000 ) Screw, Hex, M8 X 1.25 X 30, Ss	2
	12	1013936	(10000000- 20000000 ) Washer, Flat, 0.51b 0.94d .10, Nyl	8
	13	222460	(10000000- 20000000 ) Sleeve, P/M, 0.32b 0.50d 0.5l [430ss]	4
	14	08713	(10000000- 20000000 ) Nut, Hex, Lock, M8 X 1.25, NI, Ss	3
	15	1235108	(10000000- 20000000 ) Bolt, Carriage, M8 X 1.25 X 90, Fl	1
	16	200101017	(10000000- 20000000 ) Nut, Hex, Jam, M8 X 1.25	1
	17	1016399	(10000000- 20000000 ) Screw, Hex, M8 X 1.25 X 30, NI, Ss	2
	18	01685	(10000000- 20000000 ) Washer, Flat, 0.38b 0.88d .08, Ss	3
	19	1213224	(10000000- 20000000 ) Bracket Wldt, Mtg, Head, 60dd, Short[Vw]	1
	20	1074344	(10000000- 20000000 ) Harness, Ele [Ring With .250m Tail]	4
	21	222460	(10778394- 20000000 ) Sleeve, P/M, 0.32b 0.50d 0.5l [430ss]	2
	22	49694	(10000000- 10778393 ) Screw, Hex, M8 X 1.25 X 50, Ss	1
	23	01685	(10000000- 10778393 ) Washer, Flat, 0.38b 0.88d .08, Ss	1
	24	1214039	(10000000- 10778393 ) Roller, Lift, Head	1

▽ ASSEMBLY

▲ INCLUDED IN ASSEMBLY

SCRUB HEAD LIFT GROUP, 50CM CYLINDRICAL MODEL



## SCRUB HEAD LIFT GROUP, 50CM CYLINDRICAL MODEL

Ref.	Part No.	Serial Number	Description	Qty.
1	222504	(10778394- 20000000 )	Screw, Hex, M8 X 1.25 X 55, Ss	1
2	379829	(10000000- 20000000 )	Washer, Flat, 0.34b 1.50d .12, Stl, Pl	1
3	1210103	(10000000- 20000000 )	Spring, Cmpr, 1.23od 0.085wir 0.88l	2
4	1014020	(10778394- 20000000 )	Roller, 0.99d 0.50b 0.95l, Acetal	1
5	20955	(10000000- 20000000 )	Washer, Flat, 1.03b 1.50d .04, Stl, Pl	2
6	1034731	(10000000- 20000000 )	Screw, Hex, M6 X 1.00 X 16, Sems, Ss	2
7	1213063	(10000000- 20000000 )	Bracket, Guide, Head [Vw]	1
▽	8	9016811	(10887017- 20000000 ) Kit, Lift, Head, Ci [T300/T300e/Ss300]	1
▲	9	630188	(10000000- 20000000 ) Bearing, Journal, .50id X .25l	8
▽	8	9014170	(10000000- 10887016 ) Kit, Lift, Head[T300/T300e/Ss300] (Replaced by 9016811)	1
▲	9	630188	(10000000- 20000000 ) Bearing, Journal, .50id X .25l	8
	10	1218694	(10000000- 20000000 ) Pad, Pedal, Lift	1
	11	09011	(10000000- 20000000 ) Screw, Hex, M8 X 1.25 X 30, Ss	2
	12	1013936	(10000000- 20000000 ) Washer, Flat, 0.51b 0.94d .10, Nyl	8
	13	222460	(10000000- 20000000 ) Sleeve, P/M, 0.32b 0.50d 0.5l [430ss]	4
	14	08713	(10000000- 20000000 ) Nut, Hex, Lock, M8 X 1.25, NI, Ss	3
	15	1235108	(10000000- 20000000 ) Bolt, Carriage, M8 X 1.25 X 90, Fl	1
	16	200101017	(10000000- 20000000 ) Nut, Hex, Jam, M8 X 1.25	1
	17	1016399	(10000000- 20000000 ) Screw, Hex, M8 X 1.25 X 30, NI, Ss	2
	18	01685	(10000000- 20000000 ) Washer, Flat, 0.38b 0.88d .08, Ss	3
	19	1213226	(10000000- 20000000 ) Bracket Wldt, Mtg, Head, 50cyl [Short]	1
	20	1074344	(10000000- 20000000 ) Harness, Ele [Ring With .250m Tail]	1
	21	1020341	(10000000- 20000000 ) Screw, Hex, M8 X 1.25 X 20, Ss, Sems	4
	22	1221434	(10000000- 20000000 ) Nut, T, M8 X 1.25, Pm Ss [B5/B7, T300]	1
	23	1205799	(10000000- 20000000 ) Screw, Btn, M5 X 0.8 X 16, 8.8, NI, Torx	1
	24	1216222	(10000000- 20000000 ) Bracket Wldt, Mtg, Head	1
	25	1210112	(10000000- 20000000 ) Washer, Flat, 1.03b 1.50d .03, Nylon	2
	26	222460	(10778394- 20000000 ) Sleeve, P/M, 0.32b 0.50d 0.5l [430ss]	2
	27	1028796	(10778394- 20000000 ) Washer, Flat, 0.33b 1.00d .18, Stl, Pl	1
	28	49694	(10000000- 10778393 ) Screw, Hex, M8 X 1.25 X 50, Ss	1
	29	1214039	(10000000- 10778393 ) Roller, Lift, Head	1

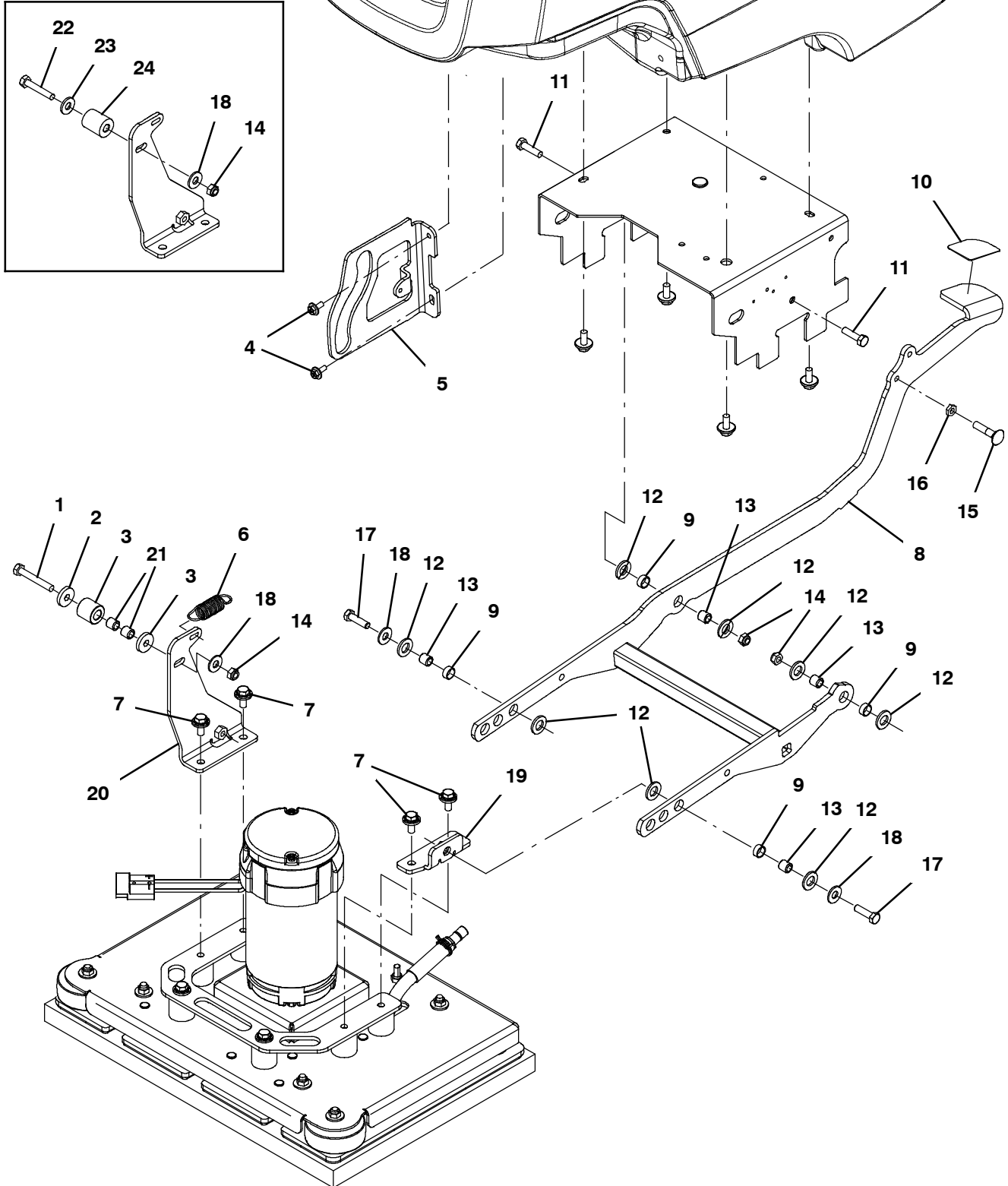
▽ ASSEMBLY

▲ INCLUDED IN ASSEMBLY

SCRUB HEAD LIFT GROUP, 50CM ORBITAL MODEL

355358

(S/N 1000000 - 10778393)



## SCRUB HEAD LIFT GROUP, 50CM ORBITAL MODEL

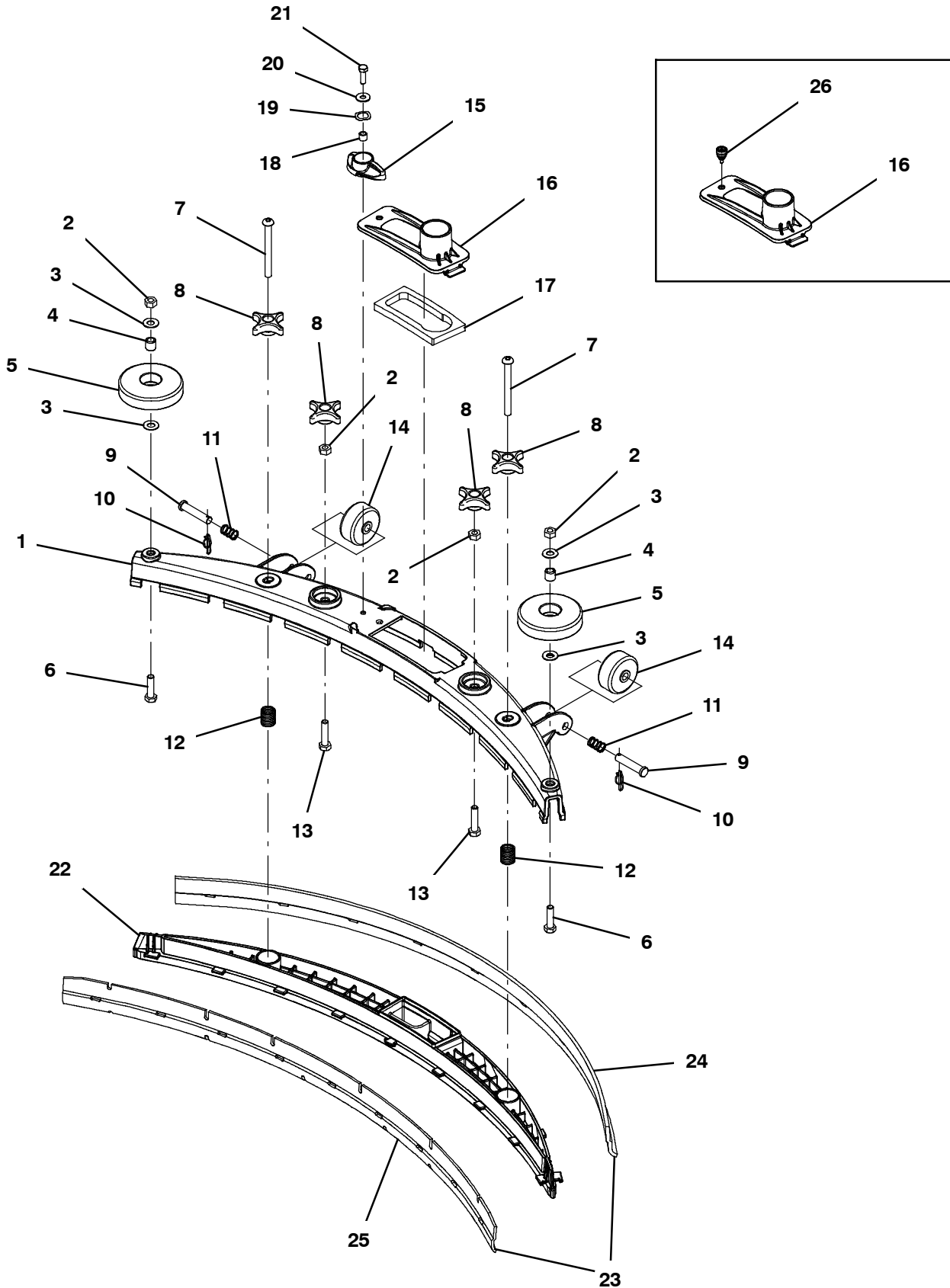
Ref.	Part No.	Serial Number	Description	Qty.
1	222504	(10778394- 20000000 )	Screw, Hex, M8 X 1.25 X 55, Ss	1
2	1028796	(10778394- 20000000 )	Washer, Flat, 0.33b 1.00d .18, Stl, Pl	2
3	1014020	(10778394- 20000000 )	Roller, 0.99d 0.50b 0.95l, Acetal	1
4	1034731	(10000000- 20000000 )	Screw, Hex, M6 X 1.00 X 16, Sems, Ss	2
5	1213063	(10000000- 20000000 )	Bracket, Guide, Head [Vw]	1
6	1032420	(10000000- 20000000 )	Spring, Extn, 0.85od 0.09wir 02.9l	1
7	1020341	(10000000- 20000000 )	Screw, Hex, M8 X 1.25 X 20, Ss, Sems	4
▽	8	9016811	(10887017- 20000000 ) Kit, Lift, Head, Ci [T300/T300e/Ss300]	1
▲	9	630188	(10000000- 20000000 ) Bearing, Journal, .50id X .25l	8
▽	8	9014170	(10000000- 10887016 ) Kit, Lift, Head[T300/T300e/Ss300] (Replaced by 9016811)	1
▲	9	630188	(10000000- 20000000 ) Bearing, Journal, .50id X .25l	8
	10	1218694	(10000000- 20000000 ) Pad, Pedal, Lift	1
	11	09011	(10000000- 20000000 ) Screw, Hex, M8 X 1.25 X 30, Ss	2
	12	1013936	(10000000- 20000000 ) Washer, Flat, 0.51b 0.94d .10, Nyl	8
	13	222460	(10000000- 20000000 ) Sleeve, P/M, 0.32b 0.50d 0.5l [430ss]	4
	14	08713	(10000000- 20000000 ) Nut, Hex, Lock, M8 X 1.25, NI, Ss	3
	15	1235108	(10000000- 20000000 ) Bolt, Carriage, M8 X 1.25 X 90, Fl	1
	16	200101017	(10000000- 20000000 ) Nut, Hex, Jam, M8 X 1.25	1
	17	1016399	(10000000- 20000000 ) Screw, Hex, M8 X 1.25 X 30, NI, Ss	2
	18	01685	(10000000- 20000000 ) Washer, Flat, 0.38b 0.88d .08, Ss	3
	19	1212572	(10000000- 20000000 ) Bracket Wldt, Mtg, Head, Orb, Short [Vw]	1
	20	1213223	(10000000- 20000000 ) Bracket Wldt, Mtg, Head, Orb, Tall [Vw]	1
	21	222460	(10778394- 20000000 ) Sleeve, P/M, 0.32b 0.50d 0.5l [430ss]	2
	22	49694	(10000000- 10778393 ) Screw, Hex, M8 X 1.25 X 50, Ss	1
	23	01685	(10000000- 10778393 ) Washer, Flat, 0.38b 0.88d .08, Ss	1
	24	1214039	(10000000- 10778393 ) Roller, Lift, Head	1

▽ ASSEMBLY

▲ INCLUDED IN ASSEMBLY

SQUEEGEE ASSEMBLY, 500MM / 20IN

355437



## SQUEEGEE ASSEMBLY, 500MM / 20IN

Ref.	Part No.	Serial Number	Description	Qty.
▽	9014172	(10000000- 20000000 )	Squeegee Kit, Linatex, Ci [T300/E/Ss300]	1
▲	1 1230946	(10000000- 20000000 )	Frame, Sqge, 50cm, Mach [T300]	1
▲	2 07786	(10000000- 20000000 )	Nut, Hex, Std, M8 X 1.25, Ss	2
▲	3 140027	(10000000- 20000000 )	Washer, Flat, 0.35b 0.75d .04, Ss	4
▲	4 222460	(10000000- 20000000 )	Sleeve, P/M, 0.32b 0.50d 0.5l [430ss]	2
▲	5 1010560	(10000000- 20000000 )	Wheel, Bmpr, 80d X 25w, Non- Marking	2
▲	6 1016399	(10000000- 20000000 )	Screw, Hex, M8 X 1.25 X 30, NI, Ss	2
▲	7 1212755	(10000000- 20000000 )	Screw, Btn, M8 X 1.25 X 80, Ss	2
▲	8 1213677	(10000000- 20000000 )	Knob, Star, 2.00od 4ear M8x1.25 [Yel]	4
▲	9 17461	(10000000- 20000000 )	Pin, Clevis, 0.37d X 1.75l	2
▲	10 1216647	(10000000- 20000000 )	Pin, Cotter, Hair, 0.38d .054 Wir	2
▲	11 1017091	(10000000- 20000000 )	Spring, Cmpr, 0.50od .04wir 00.8l	2
▲	12 22290	(10000000- 20000000 )	Spring, Cmpr, 0.72od .06wir 02.3l	2
▲	13 09026	(10000000- 20000000 )	Screw, Hex, M8 X 1.25 X 40, Ss	2
▲	14 630477	(10000000- 20000000 )	Wheel, Pyu, 02.0d 0.38w, Gray	2
▲	15 1222109	(xxxxxxx- 20000000 )	Knob, Sqge, 58l, M6 X 1.00, Plstc	1
▲	16 1209631	(10000000- 20000000 )	Cover, Trap, Water, Sqge	1
▲	17 1210756	(10000000- 20000000 )	Gasket, Trap, Water, Sqge	1
▲	18 140154	(xxxxxxx- 20000000 )	Sleeve, P/M, 0.25b 0.38d 0.3l, PI	1
▲	19 140060	(xxxxxxx- 20000000 )	Washer, .505 X .750 X 0.45 Wave	1
▲	20 01684	(xxxxxxx- 20000000 )	Washer, Flat, 0.27b 0.69d .05, Ss	1
▲	21 12277	(xxxxxxx- 20000000 )	Screw, Hex, M6 X 1.00 X 20, NI, Ss	1
▲	22 1203638	(10000000- 20000000 )	Retainer, Sqge [T300]	1
▲▽	23 9015731	(10000000- 20000000 )	Blade Kit, 500mm, Linatex (Standard)	1
▲▲	24 1203953	(10000000- 20000000 )	Blade, Sqge, Rear, 836l, Linatex[500mm] (Standard)	1
▲▲	25 1203954	(10000000- 20000000 )	Blade, Sqge, Front, 788l, Linatex[500mm] (Standard)	1
▽	23 9015732	(10000000- 20000000 )	Blade Kit, 500mm, Urethane (Option)	1
▲	24 1215609	(10000000- 20000000 )	Blade, Sqge, Rear, 836l, Urethane[500mm] (Option)	1
▲	25 1215611	(10000000- 20000000 )	Blade, Sqge, Front, 788l, Urethane[500mm] (Option)	1
▽	23 9015730	(10000000- 20000000 )	Blade Kit, 500mm, Gum (Option)	1
▲	24 1215610	(10000000- 20000000 )	Blade, Sqge, Rear, 836l, Gum[500mm] (Option)	1
▲	25 1215612	(10000000- 20000000 )	Blade, Sqge, Front, 788l, Gum[500mm] (Option)	1
	26 1212683	(10000000- xxxxxxxx )	Screw, Captive, M5, Knurled [Snap In]	1

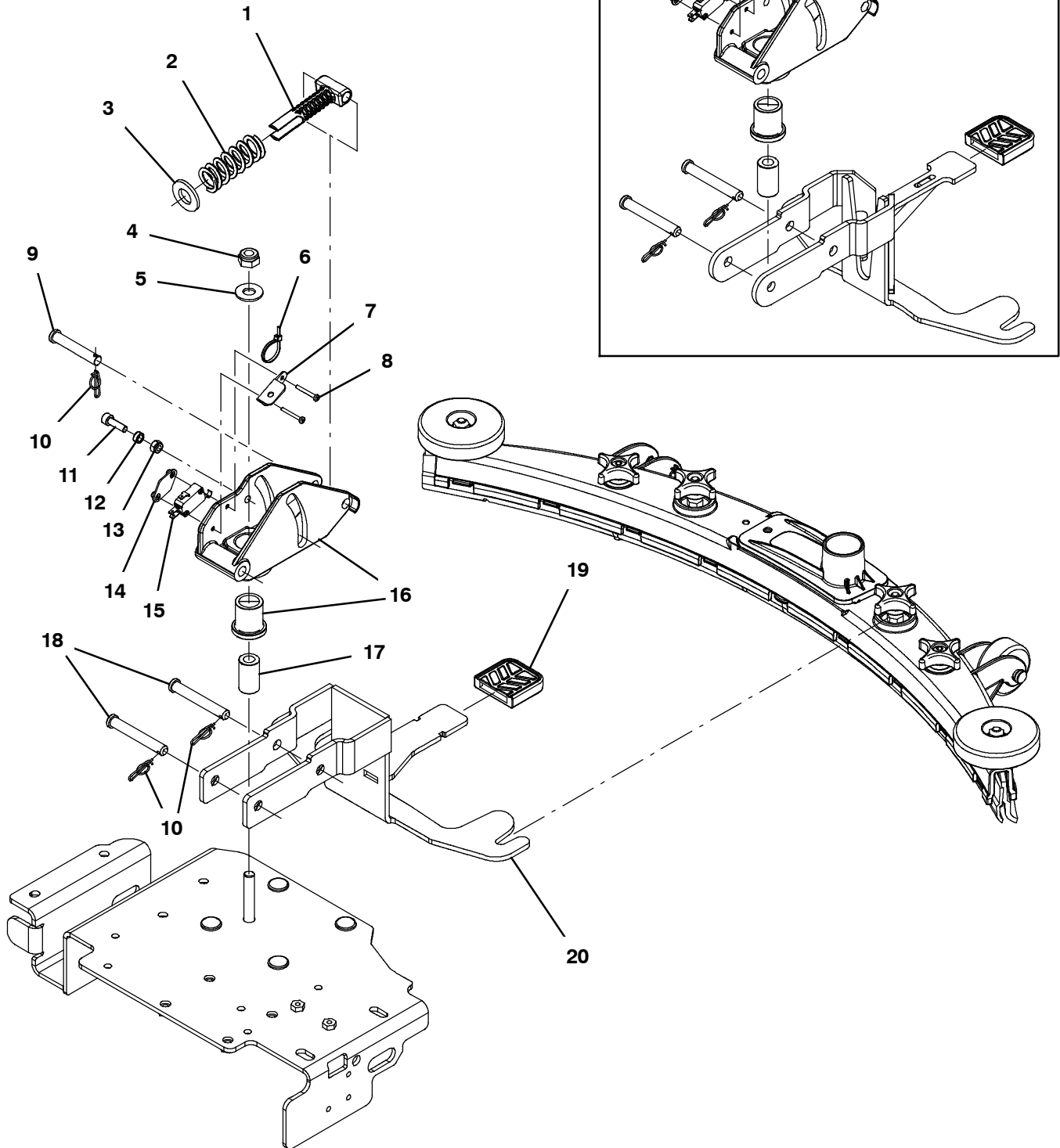
▽ ASSEMBLY

▲ INCLUDED IN ASSEMBLY

SQUEEGEE LIFT GROUP

355305

(S/N 1000000 - 10859579)



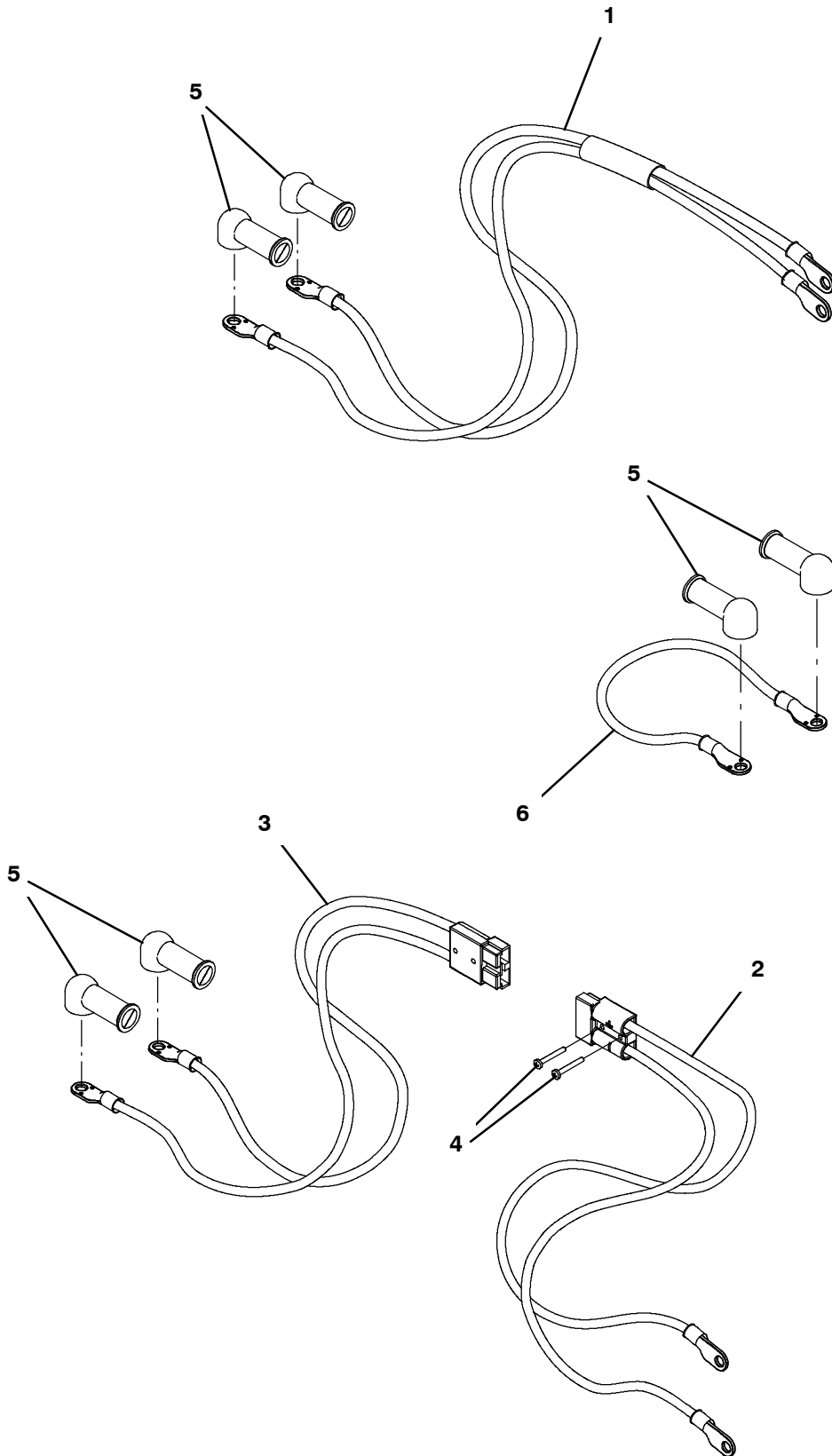


## SQUEEGEE LIFT GROUP

Ref.	Part No.	Serial Number	Description	Qty.
1	1230485	(10000000- 20000000 )	Pin, Guide, Spring [T300]	1
2	1215756	(10000000- 20000000 )	Spring, Cmpr, 0.98od .146wir 02.5l	1
3	69954	(10000000- 20000000 )	Washer, Thrust, 0.63b 1.25d 0.13w	1
4	08714	(10000000- 20000000 )	Nut, Hex, Lock, M10 X 1.5, NI, Ss	1
5	140045	(10000000- 20000000 )	Washer, Flat, 0.51b 1.25d .06, Ss	1
6	130773	(10859580- 20000000 )	Tie, Cable, Nyl, 11.0l, .14w, 3.0 Max. D	1
7	1233709	(10859580- 20000000 )	Bracket, Retaining, Wire [T300]	1
8	33933	(10000000- 20000000 )	Screw, Pan, Phl, M3 X 0.50 X 25, Ss	2
9	51813	(10000000- 20000000 )	Pin, Clevis, 0.37d X 2.12l	1
10	1216647	(10000000- 20000000 )	Pin, Cotter, Hair, 0.38d .054 Wir	3
11	33951	(10000000- 20000000 )	Screw, Soc, M6 X 1.00 X 20, 12.9	1
12	80491	(10000000- 20000000 )	Sleeve, P/M, 0.25b 0.38d 0.2l [430ss]	1
13	08712	(10000000- 20000000 )	Nut, Hex, Lock, M6 X 1.00, NI, Ss	1
14	1013705	(10000000- 20000000 )	Plate, Thread, Switch, M3 Nut, 96hr PI	1
15	1215716	(10000000- 20000000 )	Switch, 0.1a, Spdt[Micro, Gold Contacts]	1
16	9014301	(10000000- 20000000 )	Bracket Kit, Sqge, Lift [T300/E, Ss300]	1
17	1214467	(10000000- 20000000 )	Sleeve, P/M, 0.41b 0.75d 1.3l [430ss]	1
18	391179	(10000000- 20000000 )	Pin, Clevis, 0.37d X 2.62l	2
19	1212533	(10000000- 20000000 )	Cover, Pedal, Lift	1
20	9014303	(10000000- 20000000 )	Bracket Kit, Sqge, Wdt [T300/E, Ss300]	1

BATTERY CABLE GROUP

355403



## BATTERY CABLE GROUP

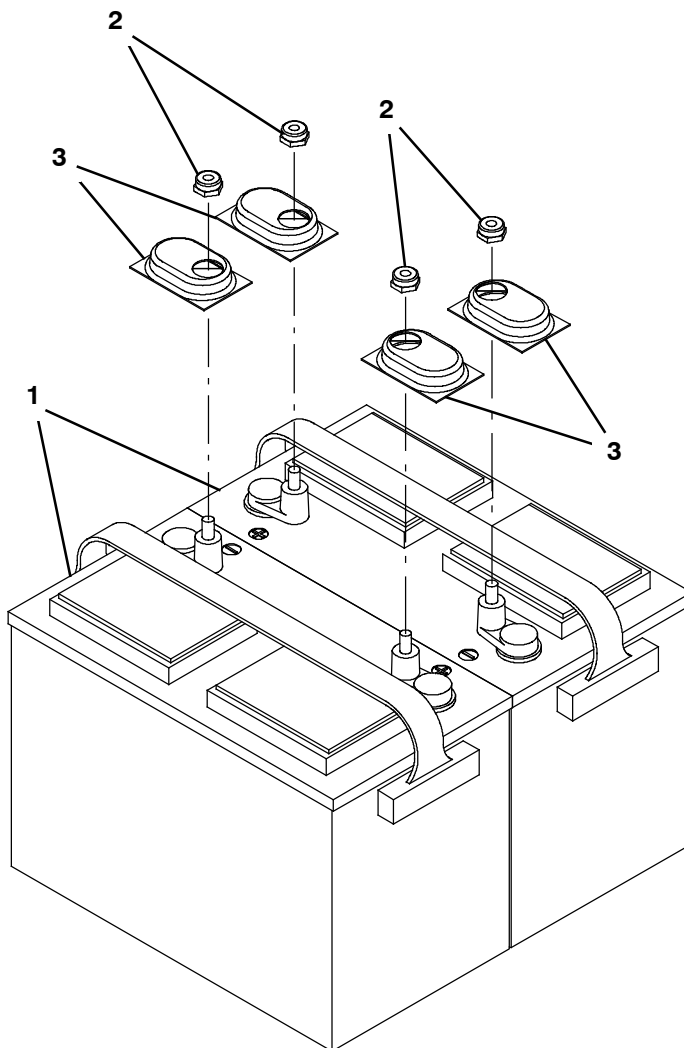
Ref.	Part No.	Serial Number	Description	Qty.	
1	1074847	(10790532- 20000000 )	Cable, Assy [T300e] (Standard - Without Battery Lift Out Kit Option)	1	
▽	9014781	(10000000- 20000000 )	Cable Kit, Battery, Ring, Tray,Ci[T300e] (Required for Battery Lift Out Kit Option)	1	
▲	2	1073629	(10000000- 10790531 )	Cable, Battery, 4ga [M8 Ring/M8 Ring]	1
▲	3	1073628	(10000000- 10790531 )	Cable, Battery, 4ga [M8 Ring/M8 Ring]	1
▲	4	33931	(10000000- 10790531 )	Screw, Pan, Phl, M4 X 0.70 X 30, Ss	2
	5	611221	(10790532- 20000000 )	Boot, Terminal, Battery, 25.4mm, Blk	2
	5	611221	(10000000- 10790531 )	Boot, Terminal, Battery, 25.4mm, Blk	4
	6	1073680	(10000000- 20000000 )	Cable, 04ga 15.0l Blk [M8 Ring/M8 Ring]	1

▽ ASSEMBLY

▲ INCLUDED IN ASSEMBLY

BATTERY GROUP, 105AH C20 WET

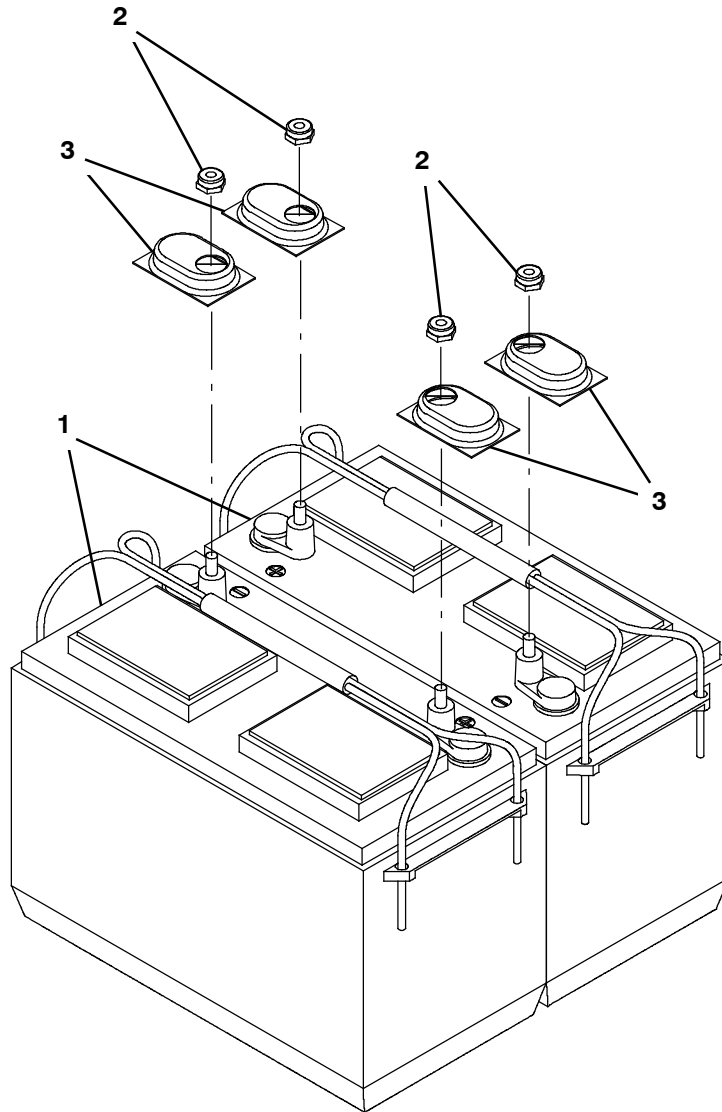
355359



Ref.	Part No.	Serial Number	Description	Qty.
1	578426	(10000000-20000000 )	Battery, Wet, 12vdc 0105ah [S8, 27tmx]	2
2	87435	(10000000-20000000 )	Nut, Hex, Flexlock, .31 - 18	4
3	45962	(10000000-20000000 )	Cap, Battery, White [For 105ah & 130ah]	4

BATTERY GROUP, 130AH C20 WET

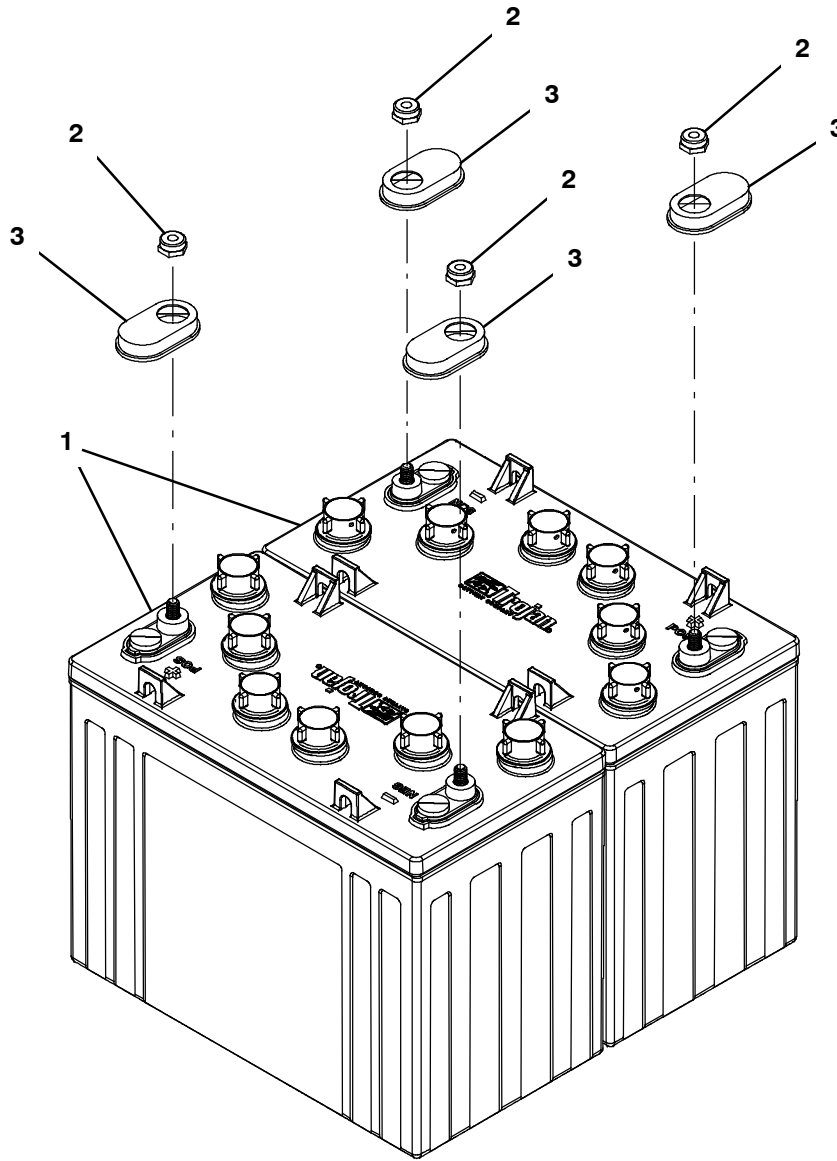
355360



Ref.	Part No.	Serial Number	Description	Qty.
1	130869	(10000000-20000000 )	Battery, Wet, 12vdc 0130ah [30xhs- Wnt]	2
2	87435	(10000000-20000000 )	Nut, Hex, Flexlock, .31 - 18	4
3	45962	(10000000-20000000 )	Cap, Battery, White [For 105ah & 130ah]	4

BATTERY GROUP, 150AH C20 WET

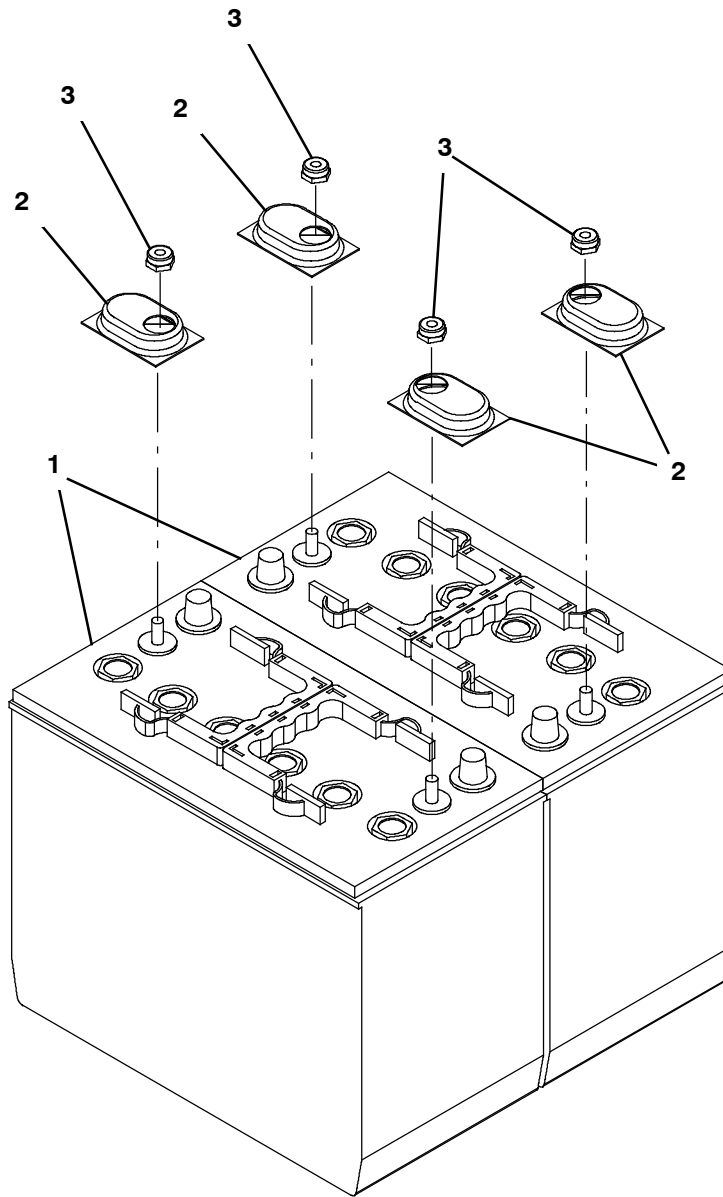
355361



Ref.	Part No.	Serial Number	Description	Qty.
1	1015046	(10000000- 20000000 )	Battery, Wet, 12vdc 0150ah	2
2	87435	(10000000- 20000000 )	Nut, Hex, Flexlock, .31 - 18	4
3	1041030	(10000000- 20000000 )	Cap, Battery, Black [For 155ah]	4

BATTERY GROUP, 140AH C20 AGM

355362



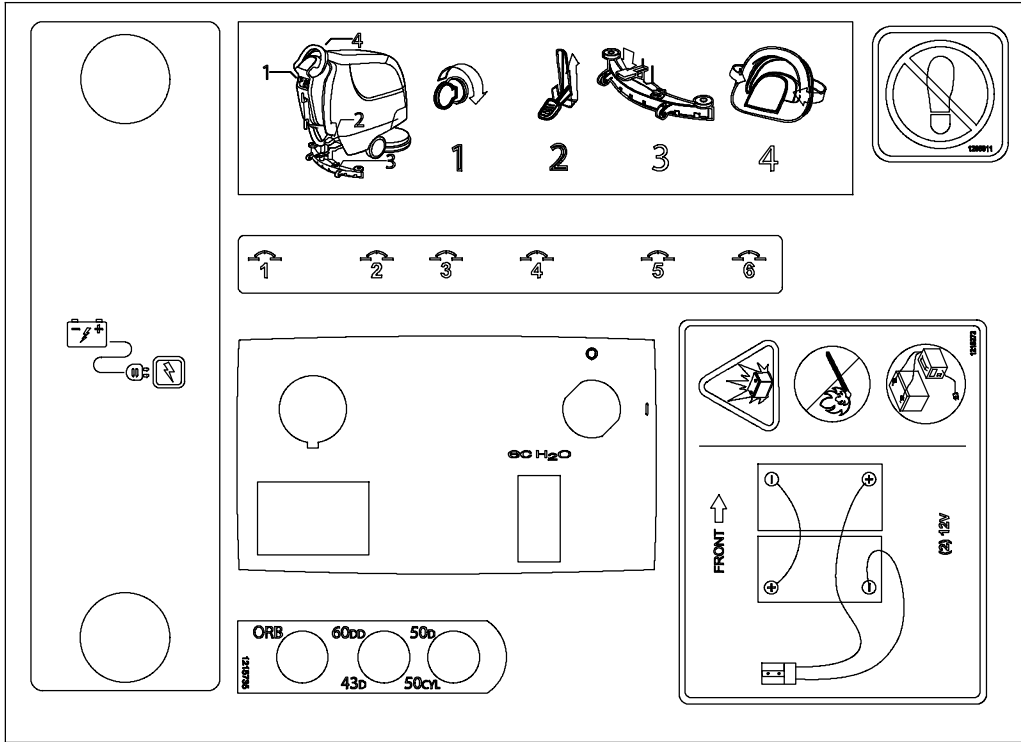
	Ref.	Part No.	Serial Number	Description	Qty.
▽	1	1053408	(10000000-20000000 )	Battery, 12vdc 0140ah [Agm]	2
▲	2	45962	(10000000-20000000 )	Cap, Battery, White [For 105ah & 130ah]	4
	3	87435	(10000000-20000000 )	Nut, Hex, Flexlock, .31- 18	4

▽ ASSEMBLY

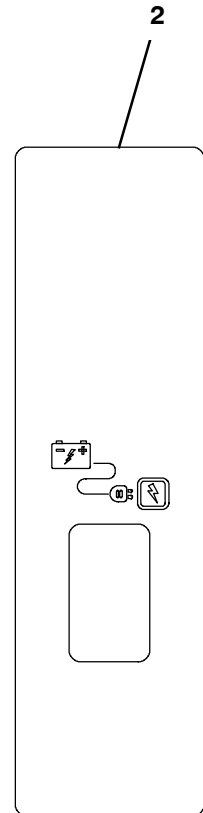
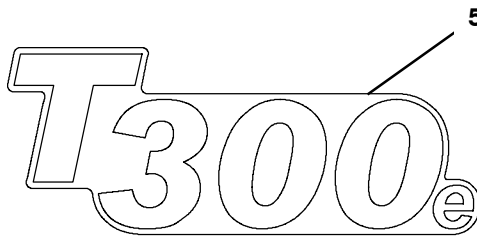
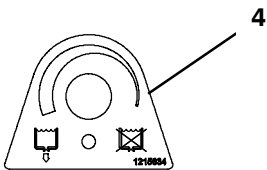
▲ INCLUDED IN ASSEMBLY

LABEL GROUP

355365



500 x 355 mm / 20 x 14 in





## LABEL GROUP


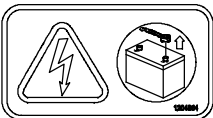

Ref.	Part No.	Serial Number	Description	Qty.
1	1236088	(10000000- 20000000 )	Label Sheet, Operational [T300/Ss300]	1
2	1225763	(10000000- 20000000 )	Label, Decal, Charger, Off- Board	1
3	1214279	(10000000- 20000000 )	Label, Orbital, Size, 50cm (Orbital Head)	1
4	1215634	(10000000- 20000000 )	Label, Opertnl, Solution Knob Adj	1
5	1215263	(10000000- 20000000 )	Label, T300e	2
6	1216520	(10000000- 20000000 )	Label, Logo [Ech2o Nano] (ec- H2O Model)	2

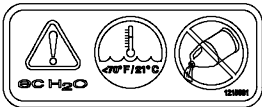
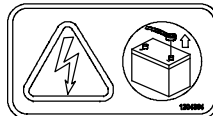
LABEL GROUP - CONT'D

355364

1

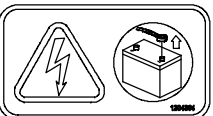
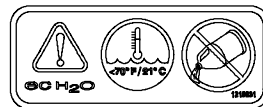
⚠ WARNING	⚠ AVERTISSEMENT	⚠ ADVERTENCIA
<p><b>TO REDUCE THE RISK OF FIRE, EXPLOSION, ELECTRICAL SHOCK, OR INJURY:</b></p> <ul style="list-style-type: none"> <li>Do not use or pick up flammable materials.</li> <li>Do not use near flammable liquids, vapors or combustible dusts.</li> <li>Batteries emit hydrogen gas. Explosion or fire can result. Keep sparks and open flames away when charging.</li> <li>Disconnect battery cables and charge plug before servicing machine.</li> <li>Do not charge batteries with damaged cord.</li> <li>Do not use outdoors. Store indoors.</li> </ul>	<p><b>POUR RÉDUIRE LES RISQUES D'INCENDIE, L'EXPLOSION, DE CHOC ÉLECTRIQUE OU DE LÉSSURE:</b></p> <ul style="list-style-type: none"> <li>Lisez le manuel avant d'utiliser la machine.</li> <li>N'utilisez pas ou ne ramassez pas de matériaux inflammables.</li> <li>N'utilisez pas près de liquides, vapeurs ou poussières inflammables.</li> <li>Les batteries émettent de l'hydrogène gazeux. Risque d'incendie et d'explosion. Éloignez toute étincelle et toute flamme nue lors de la charge des batteries.</li> <li>Débranchez les câbles des batteries et le cordon du chargeur avant l'entretien de la machine.</li> <li>Ne chargez pas les batteries avec un cordon endommagé.</li> <li>N'utilisez pas à l'extérieur. Entrez-les à l'intérieur.</li> </ul>	<p><b>PARA REDUCIR EL RIESGO DE INCENDIO, EXPLOSION, CHOQUE ELECTRICO, O LESION:</b></p> <ul style="list-style-type: none"> <li>Lea el manual antes de utilizar la máquina.</li> <li>No utilice ni recoja materiales inflamables.</li> <li>No utilice la máquina cerca de líquidos, polvos o vapores inflamables.</li> <li>Las baterías emiten hidrógeno. Peligro de incendio o explosión. Mantenga la máquina alejada de chispas y flamas cuando se está cargando.</li> <li>Desconecte los cables de la batería antes de realizar el servicio a la máquina.</li> <li>No cargue las baterías si el cable está dañado.</li> <li>No utilice la máquina al aire libre. Guárdela en un lugar cerrado.</li> </ul>






2




⚠ 警告
<p><b>火災、爆発、感電やけがを防ぐために行うこと:</b></p> <ul style="list-style-type: none"> <li>本機を使用する前に、マニュアルをお読みください。</li> <li>引火性液体や粉塵を避け、燃やさないでください。</li> <li>可燃性液体、引火性粉塵、または可燃性の灰で作業しないでください。</li> <li>バッテリーは水素ガスを発生します。爆発や火災の危険があります。充電中は、火花や熱気を出さないでください。</li> <li>本機と接続するときは、事前に必ずバッテリーケーブルと充電プラグを外してください。</li> <li>修理や点検コードでバッテリーを修理しないでください。</li> <li>屋外では使用しないでください。屋内で保管してください。</li> </ul>

3

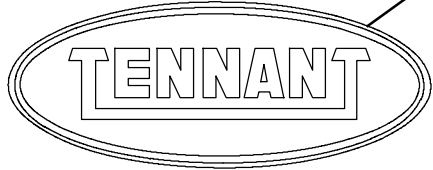
4

5



6

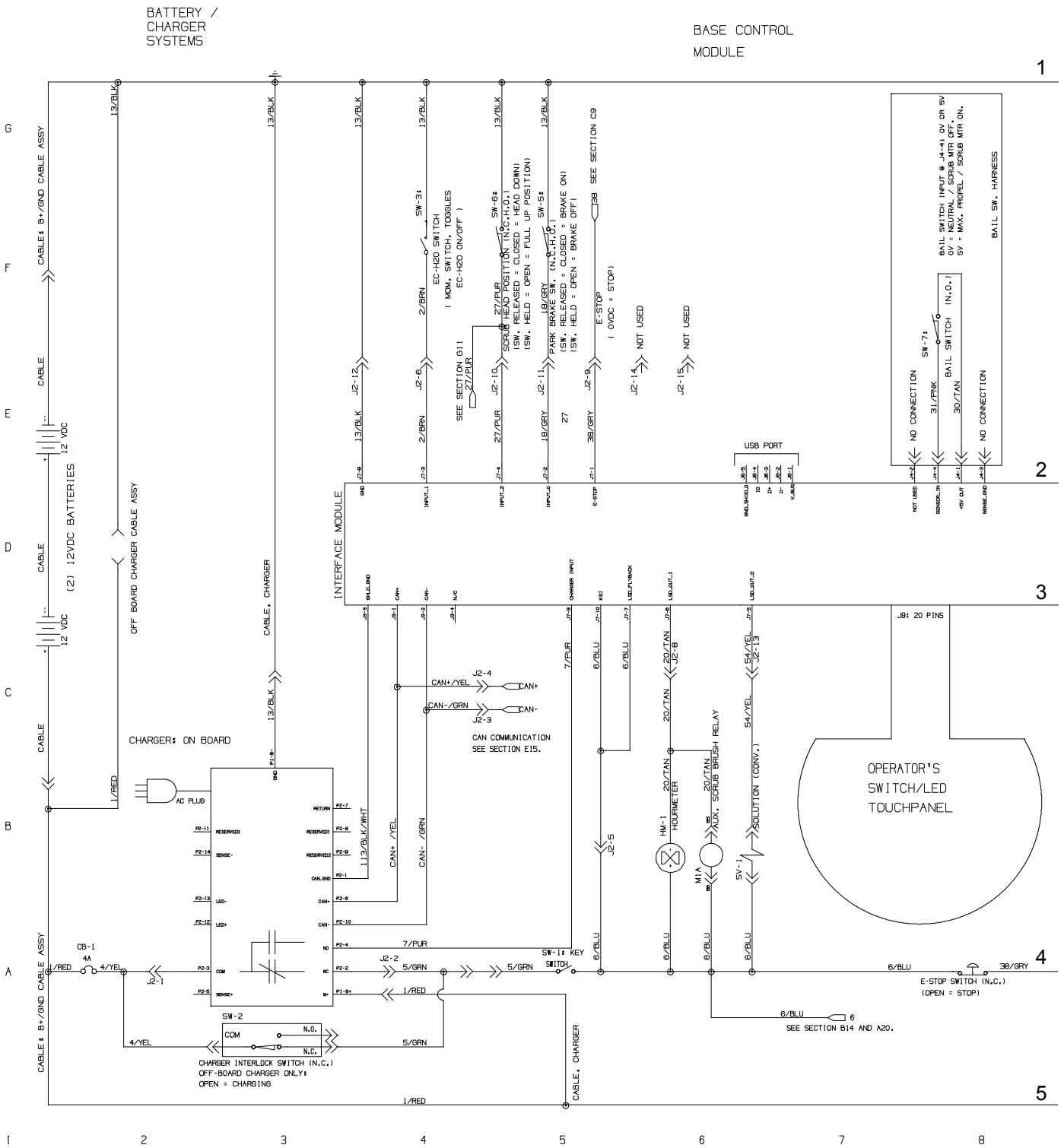


## LABEL GROUP - CONT'D

Ref.	Part No.	Serial Number	Description	Qty.
1	1220962	(10000000- 20000000 )	Label Sheet, Info/Hzrd [T500, Na]	1
2	1220966	(10000000- 20000000 )	Label Sheet, Info/Hzrd [T500, Jp]	1
3	1218392	(10000000- 20000000 )	Label, Safety, Magnet, Med (Magnetic Heads)	1
4	1050003	(10000000- 20000000 )	Label [User, Attention, Ec- H2o] (Japan Only)	1
5	1224990	(10000000- 20000000 )	Label, Opertnl, Parking Brake (Optional)	1
6	1213114	(10000000- 20000000 )	Label, Logo, 05.5l, Blk/Sil [Tennant]	1

## ELECTRICAL DIAGRAM, PROPEL (S/N 10891949 - ) (PAGE 1 OF 3)

1074707\_02

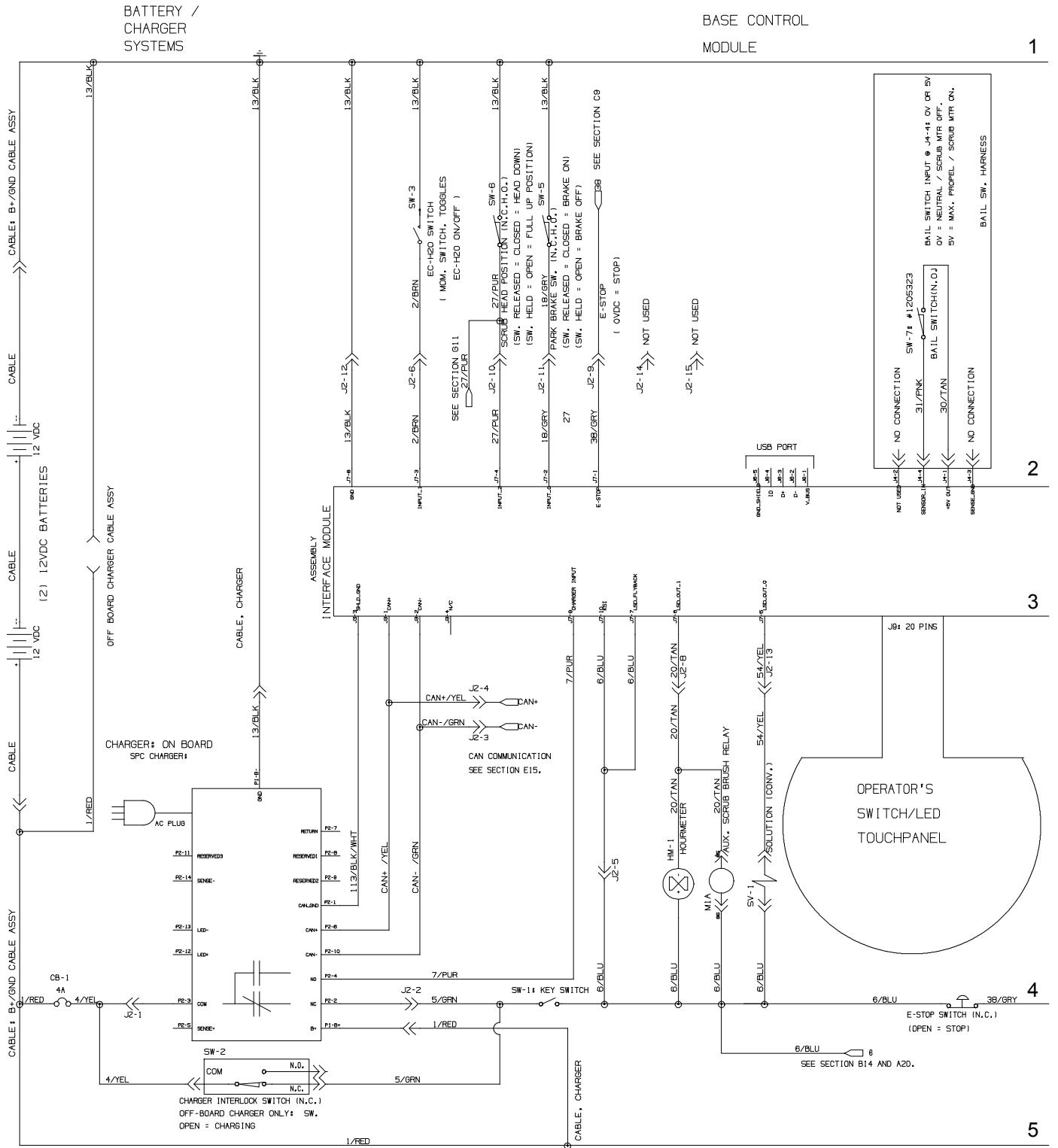






ELECTRICAL DIAGRAM, PROPEL (S/N 1000000 - 10891948) (PAGE 1 OF 3)

1074707\_00





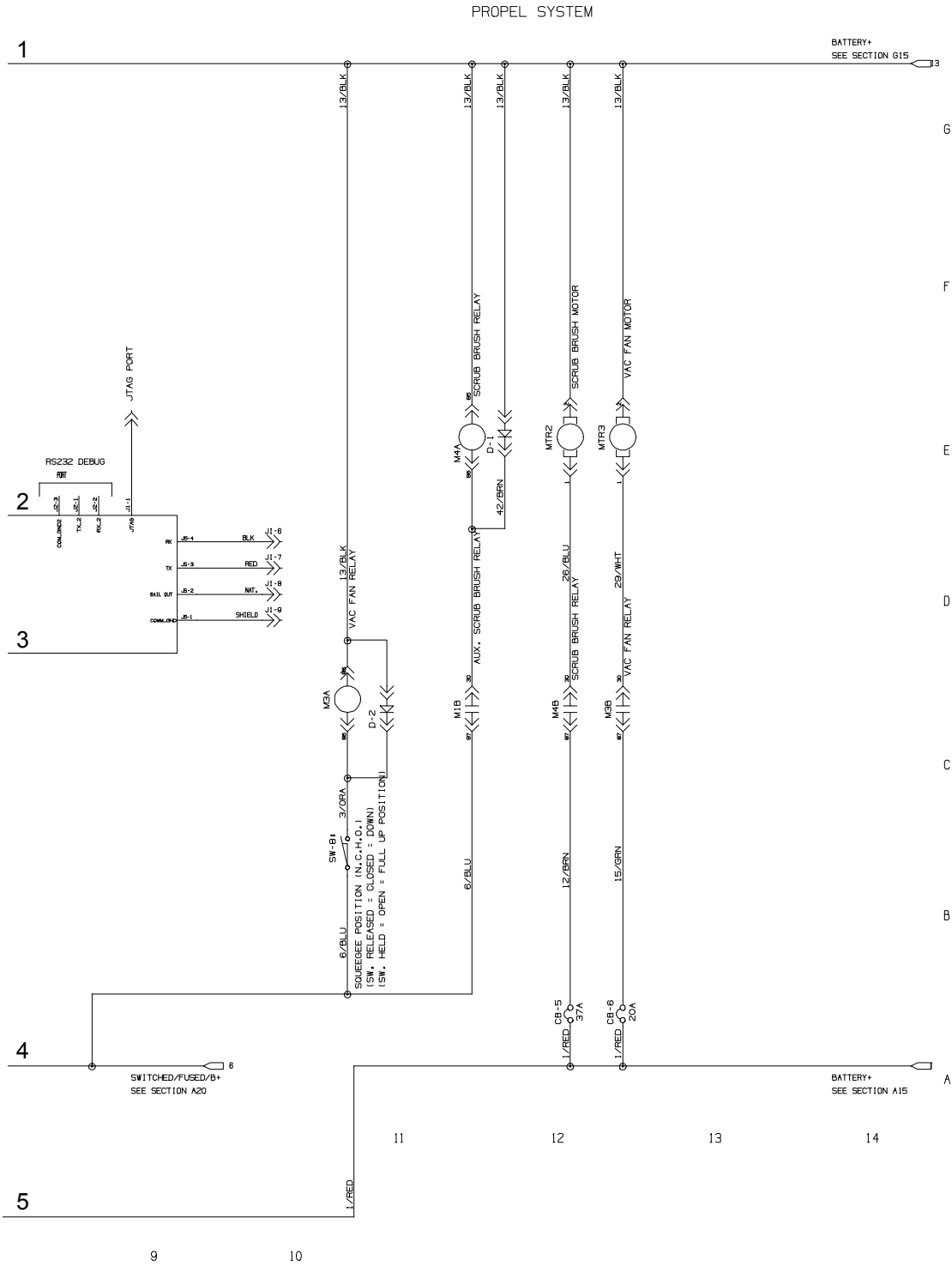






ELECTRICAL DIAGRAM, PUSH (S/N 10891710 - ) (PAGE 2 OF 3)

1074708\_02

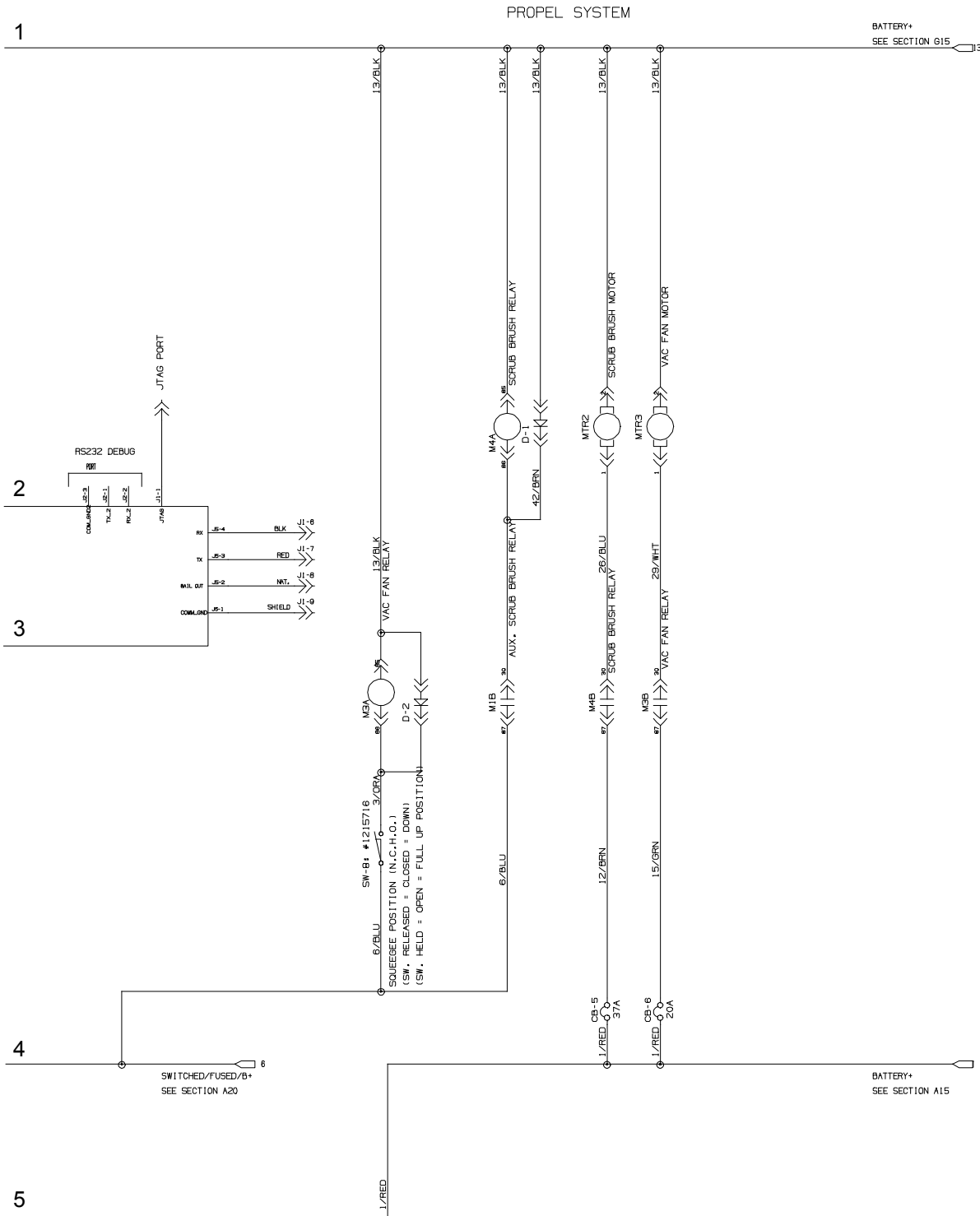






## ELECTRICAL DIAGRAM, PUSH (S/N 1000000 - 10891709) (PAGE 2 OF 3)

1074708\_00













---

**ELECTRICAL HARNESS, MAIN PROPEL (S/N 10891949 - )**

	<b>Part No.</b>	<b>Serial Number</b>	<b>Description</b>	<b>Qty.</b>
▽	9015155	(10891949- 20000000 )	Harness Kit, Main, Ele [Vw, Base,Propel]	1
▲	222290	(10891949- 20000000 )	Diode, Ele, Plug	4
▲	1040868	(10000000- 20000000 )	Capacitor, Plug [.01 Uf, 200v]	1

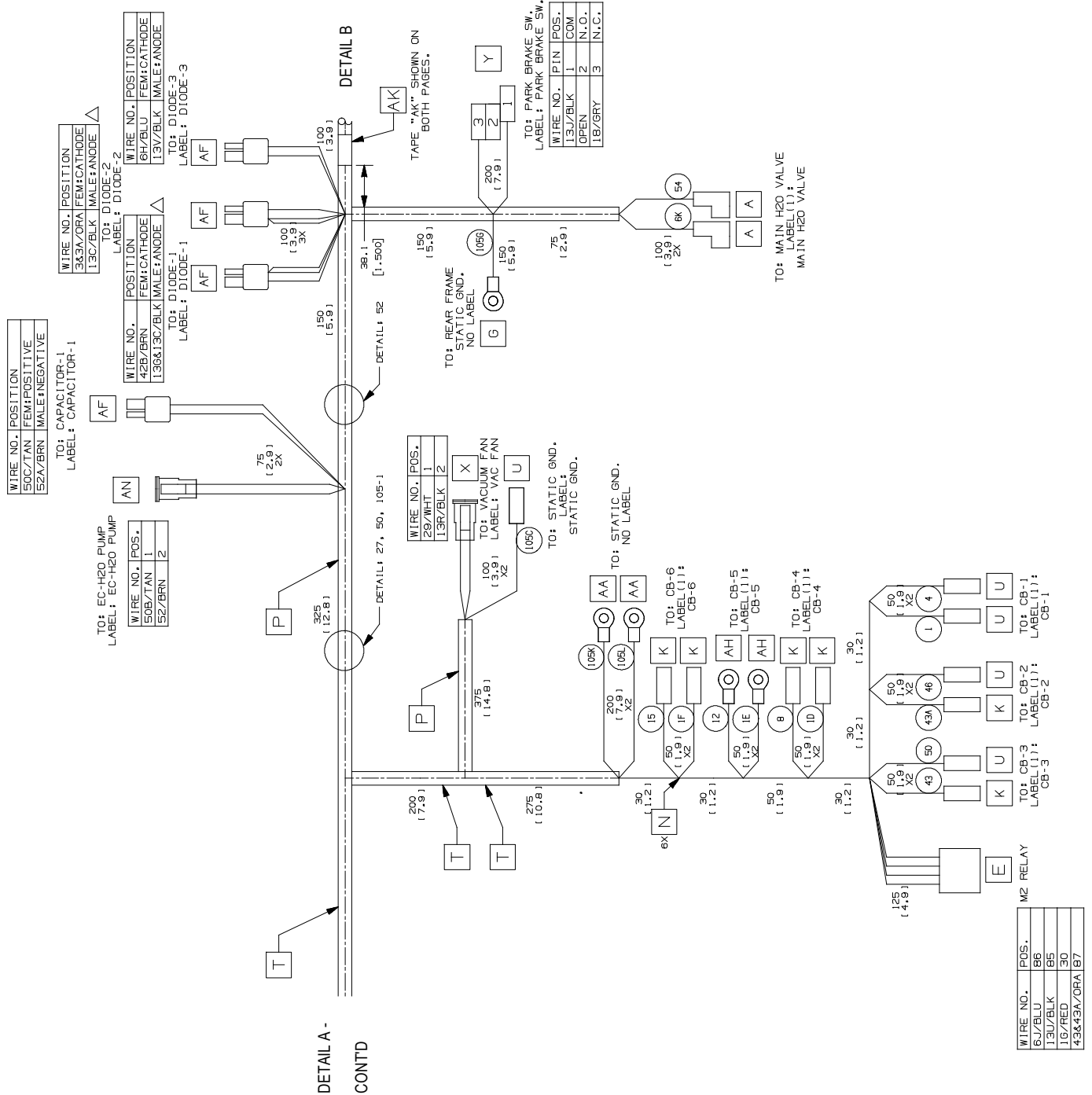
▽ ASSEMBLY

▲ INCLUDED IN ASSEMBLY



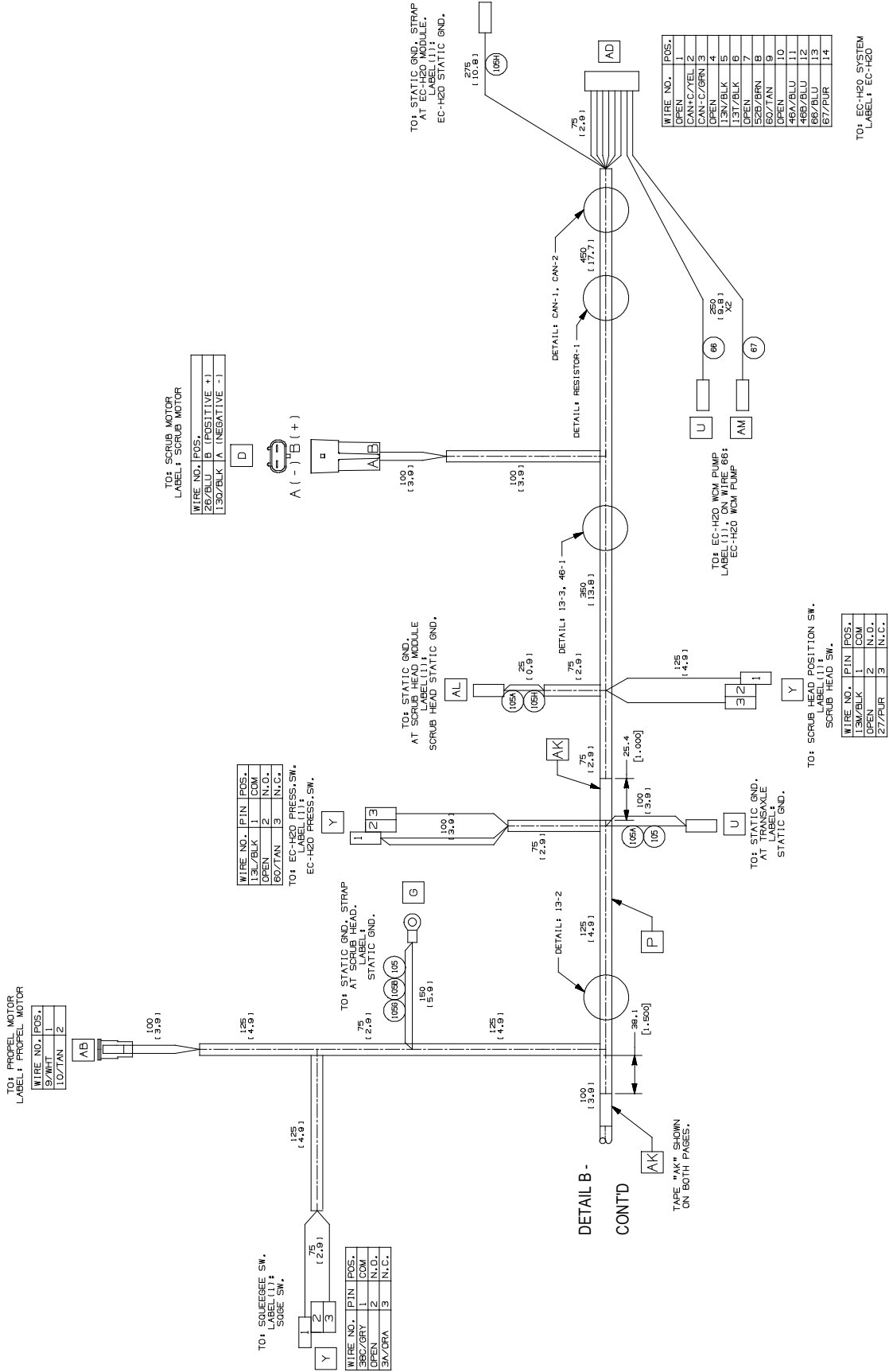
ELECTRICAL HARNESS, MAIN PROPEL (S/N 10822349 - 10891948) (PAGE 2 OF 3)

1075321\_02



ELECTRICAL HARNESS, MAIN PROPEL (S/N 10822349 - 10891948) (PAGE 3 OF 3)

1075321\_02



**ELECTRICAL HARNESS, MAIN PROPEL (S/N 10822349 - 10891948)**

	<b>Part No.</b>	<b>Serial Number</b>	<b>Description</b>	<b>Qty.</b>
▽	1075321	(10822349- 10891948 )	Harness, Main, Ele [Vw, Base, Propel] (Replaced By 9015155)	1
▲	222290	(10000000- 20000000 )	Diode, Ele, Plug	3
▲	1040868	(10000000- 20000000 )	Capacitor, Plug [.01 Uf, 200v]	1

▽ ASSEMBLY

▲ INCLUDED IN ASSEMBLY

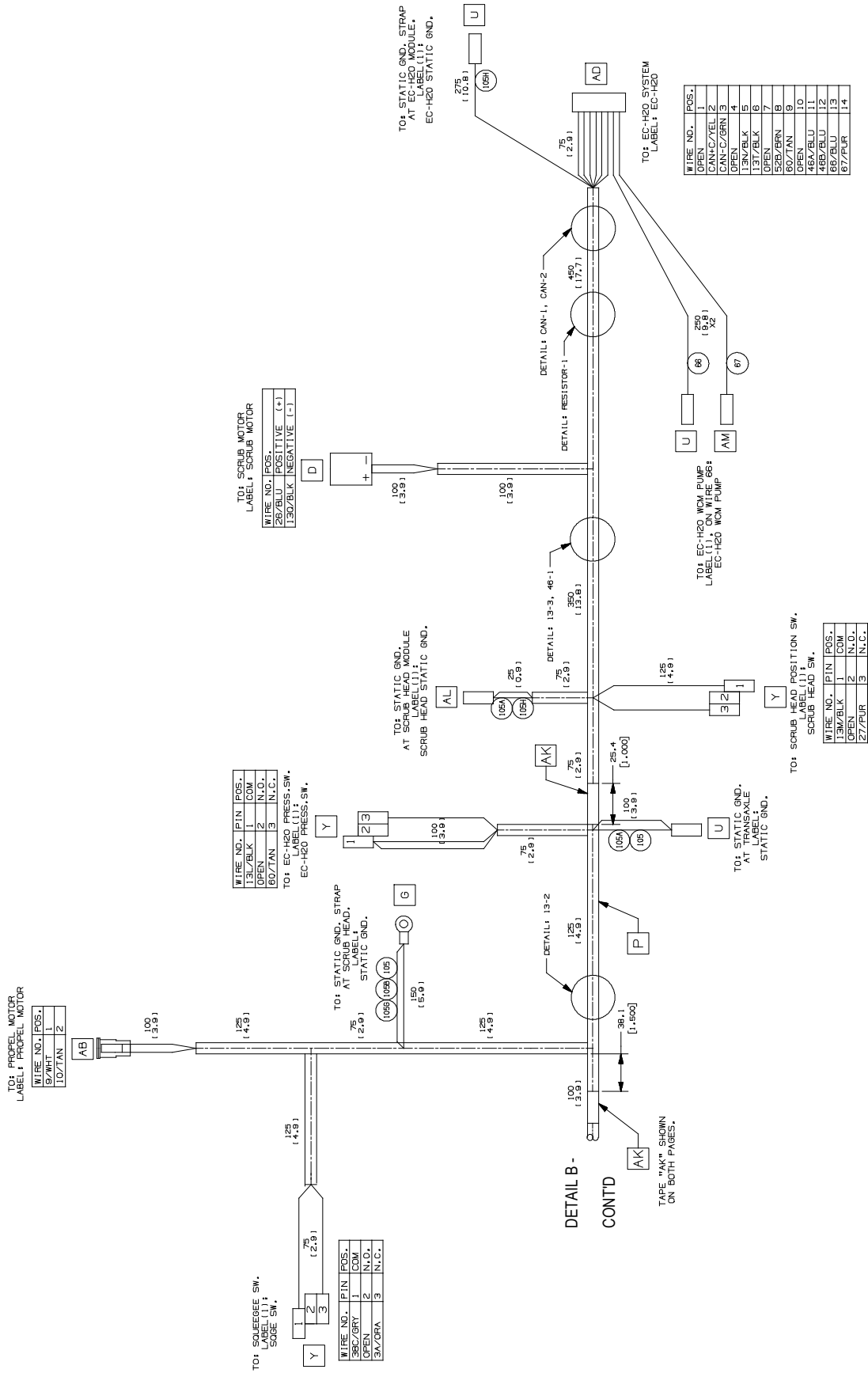






ELECTRICAL HARNESS, MAIN PROPEL (S/N 1000000 - 10822348) (PAGE 3 OF 3)

1073676



**ELECTRICAL HARNESS, MAIN PROPEL (S/N 10000000 - 10822348)**

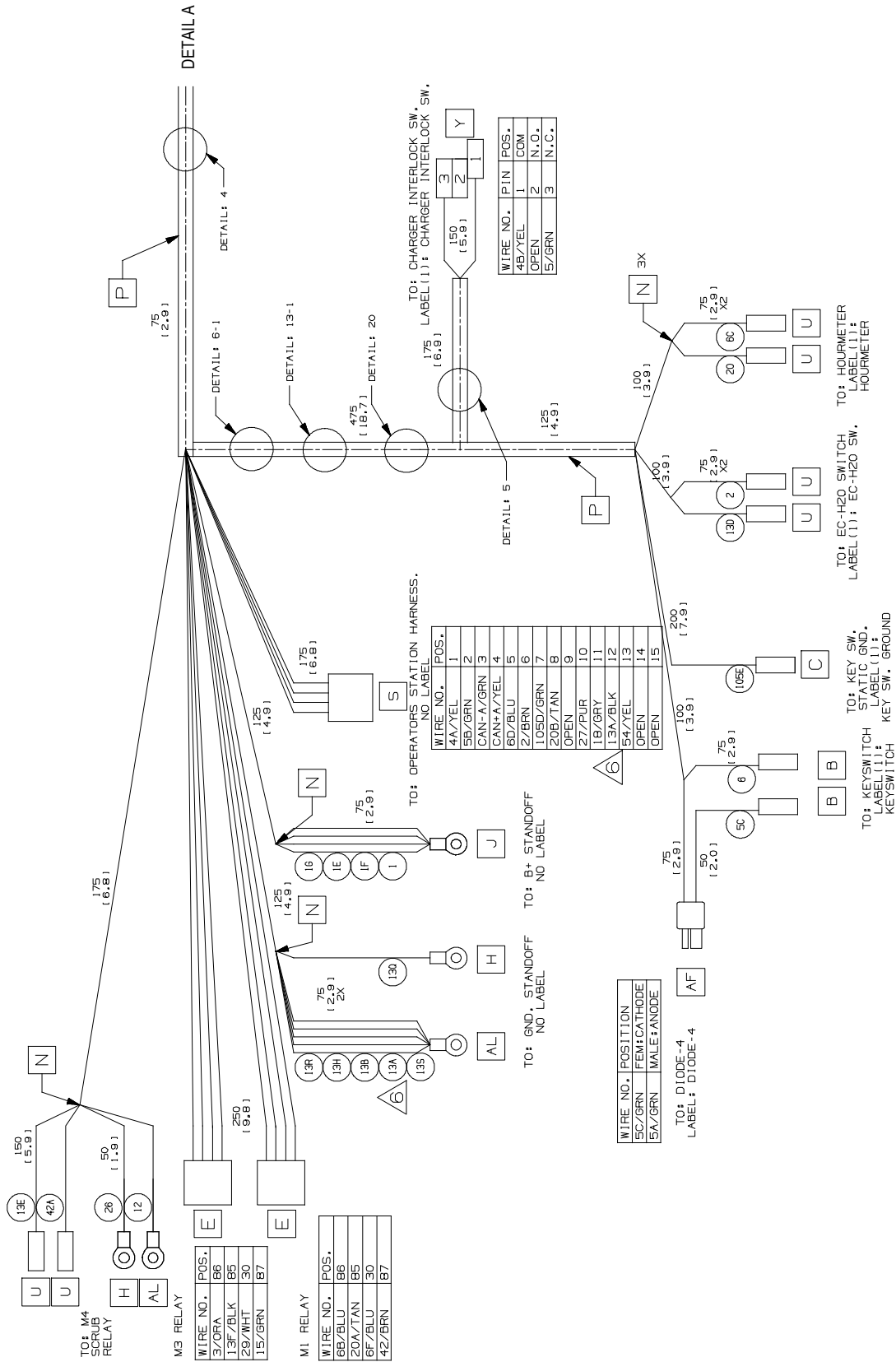
	<b>Part No.</b>	<b>Serial Number</b>	<b>Description</b>	<b>Qty.</b>
▽	1073676	(10000000- 10822348 )	Harness, Main, Ele [Vw, Base, Propel] (Replaced By 9015155)	1
▲	222290	(10000000- 20000000 )	Diode, Ele, Plug	3
▲	1040868	(10000000- 20000000 )	Capacitor, Plug [.01 Uf, 200v]	1

▽ ASSEMBLY

▲ INCLUDED IN ASSEMBLY

ELECTRICAL HARNESS, MAIN PUSH (S/N 10891710 - ) (PAGE 1 OF 3)

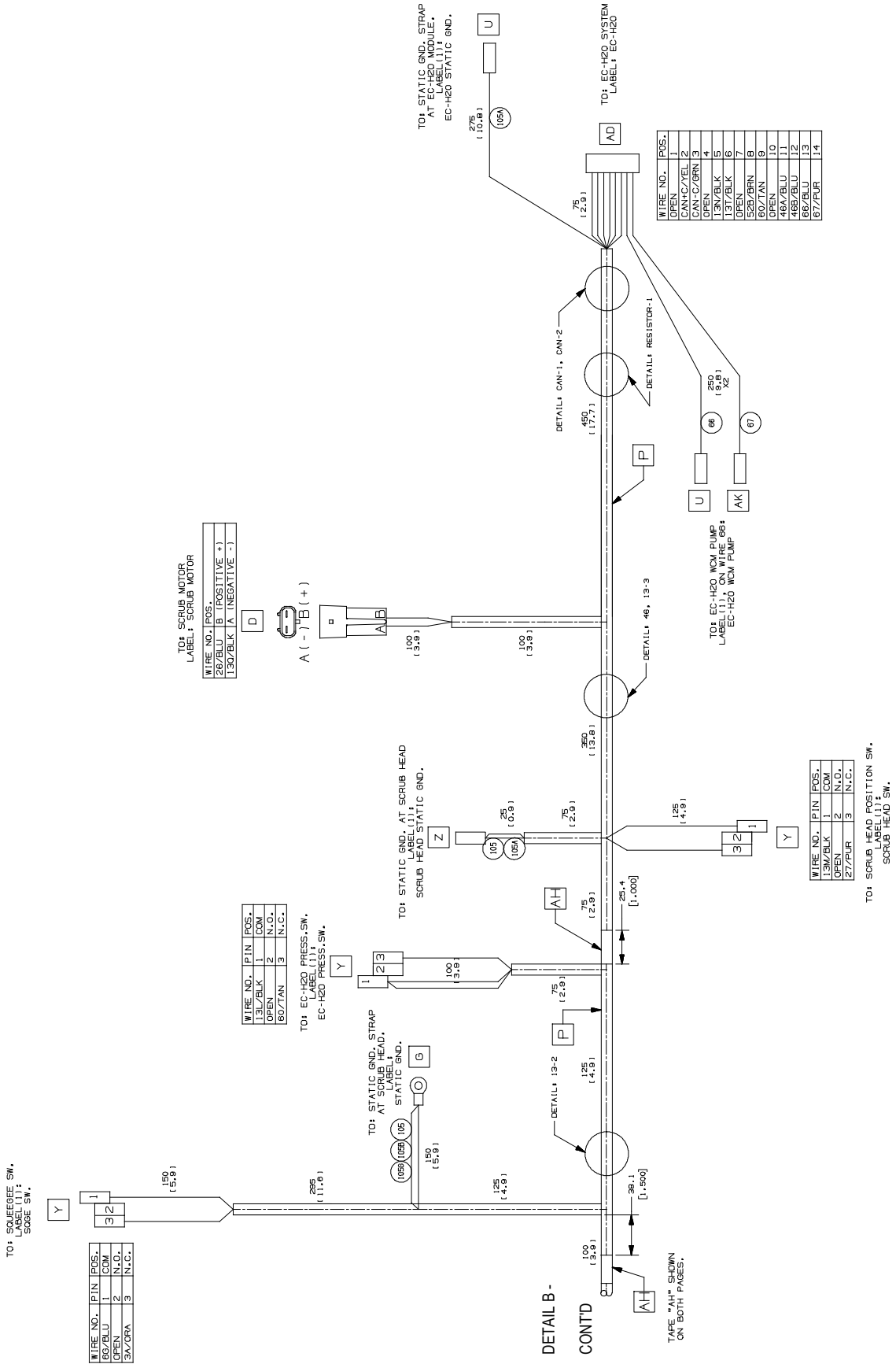
1076141\_02





ELECTRICAL HARNESS, MAIN PUSH (S/N 10891710 - ) (PAGE 3 OF 3)

1076141\_02



ELECTRICAL HARNESS, MAIN PUSH (S/N 10891710 - )

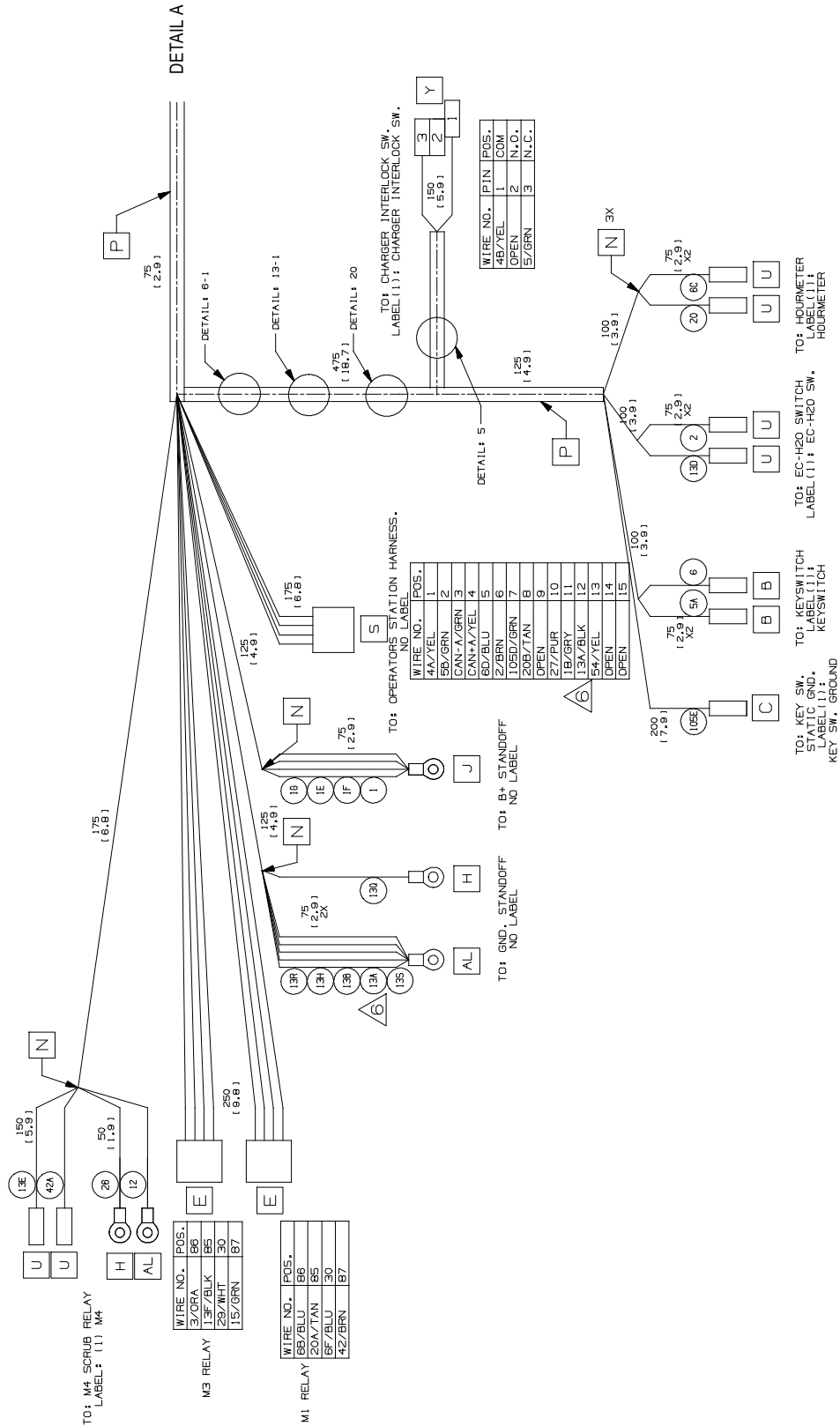
	Part No.	Serial Number	Description	Qty.
▽	9015156	(10891710- 20000000 )	Harness Kit, Main, Ele [Vw, Base, Push]	1
▲	222290	(10891710- 20000000 )	Diode, Ele, Plug	4
▲	1040868	(10000000- 20000000 )	Capacitor, Plug [.01 Uf, 200v]	1

▽ ASSEMBLY

▲ INCLUDED IN ASSEMBLY

ELECTRICAL HARNESS, MAIN PUSH (S/N 10825202 - 10891709) (PAGE 1 OF 3)

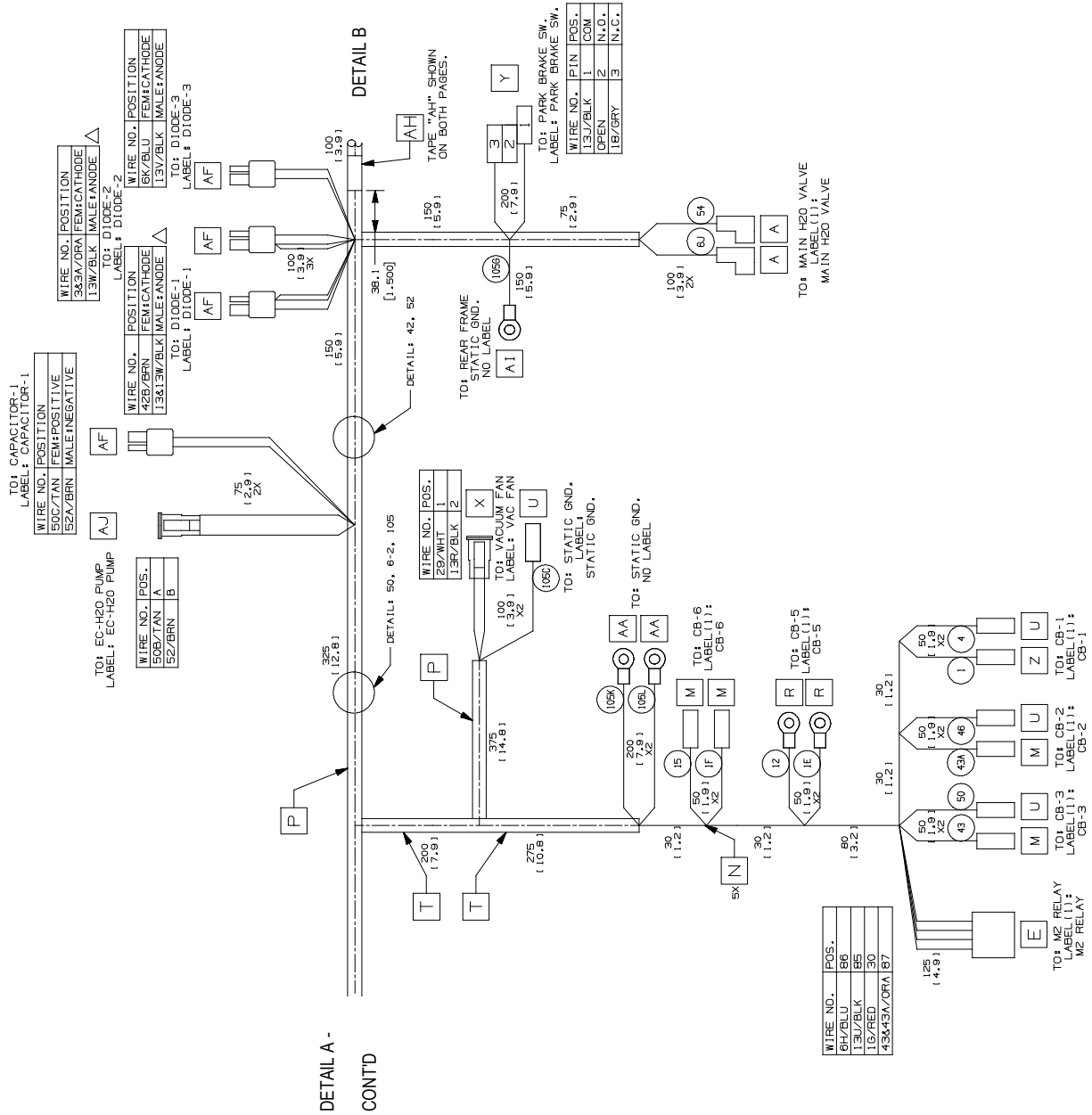
1075322\_02





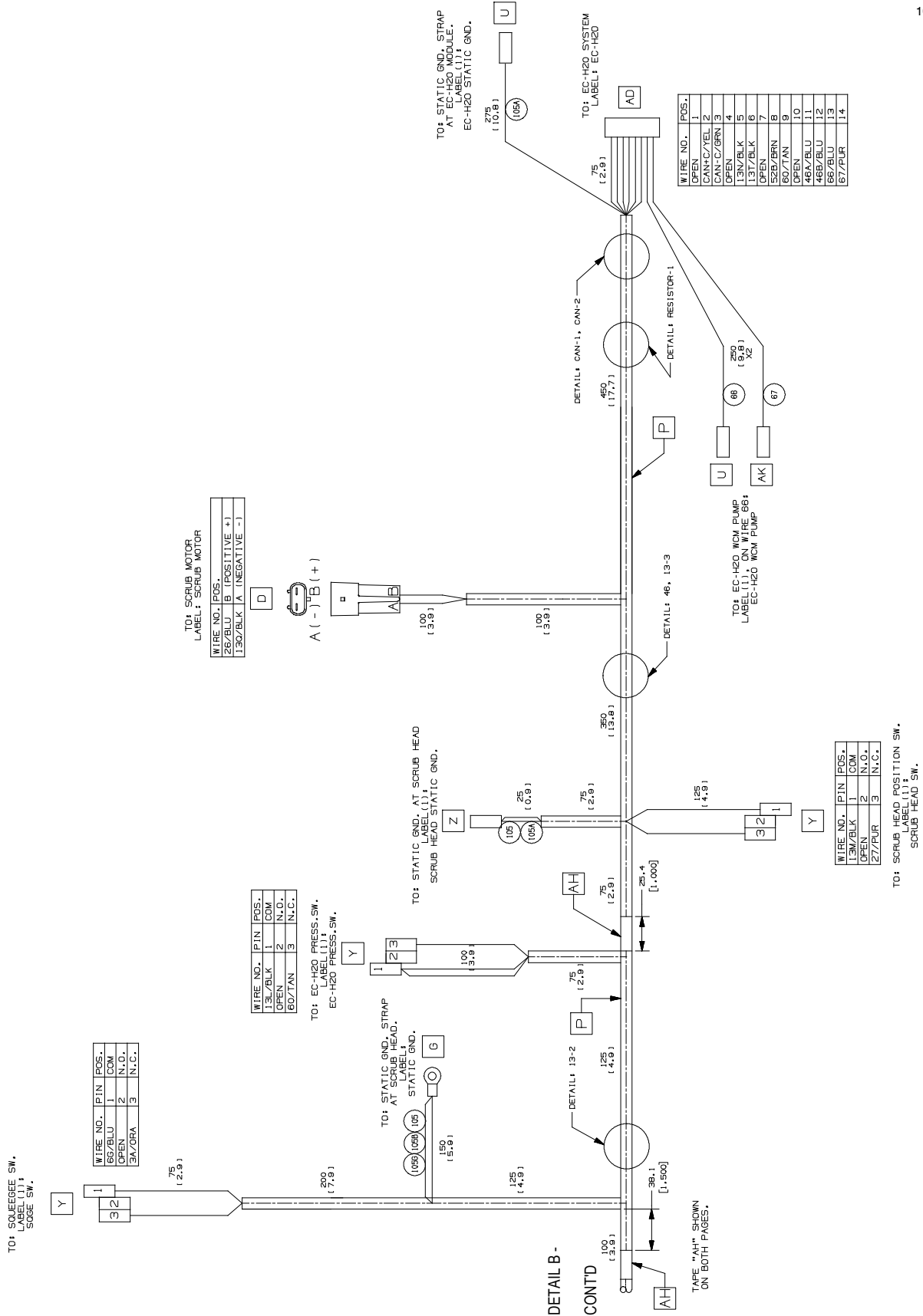
ELECTRICAL HARNESS, MAIN PUSH (S/N 10825202 - 10891709) (PAGE 2 OF 3)

1075322\_02



ELECTRICAL HARNESS, MAIN PUSH (S/N 10825202 - 10891709) (PAGE 3 OF 3)

1075322\_02



**ELECTRICAL HARNESS, MAIN PUSH (S/N 10825202 - 10891709)**

	<b>Part No.</b>	<b>Serial Number</b>	<b>Description</b>	<b>Qty.</b>
▽	1075322	(10825202- 10891709 )	Harness, Main, Ele [Vw, Base, Push] (Replaced By 9015156)	1
▲	222290	(10000000- 20000000 )	Diode, Ele, Plug	3
▲	1040868	(10000000- 20000000 )	Capacitor, Plug [.01 Uf, 200v]	1

▽ ASSEMBLY

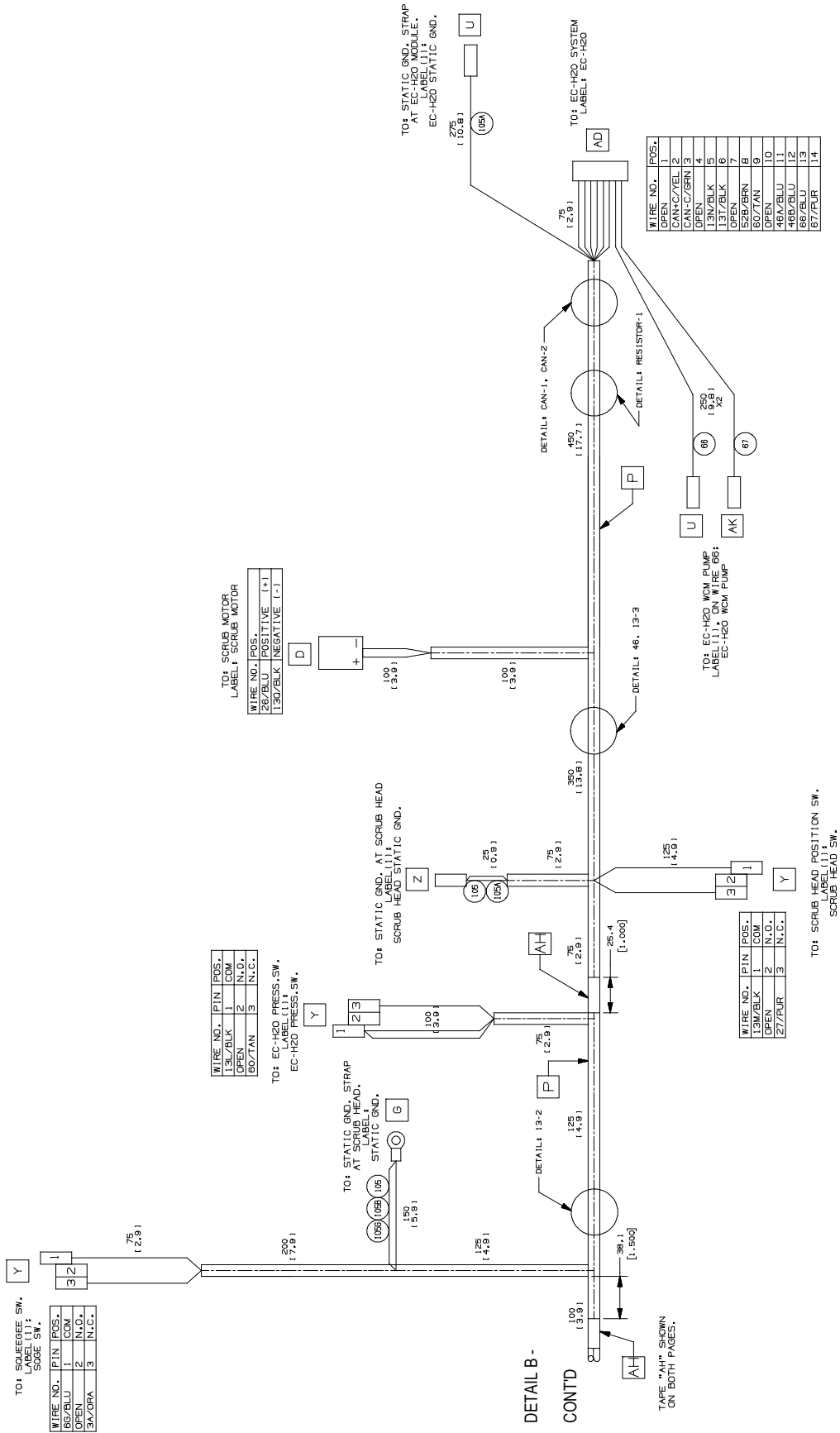
▲ INCLUDED IN ASSEMBLY





ELECTRICAL HARNESS, MAIN PUSH (S/N 1000000 - 10825201) (PAGE 3 OF 3)

1073677



---

**ELECTRICAL HARNESS, MAIN PUSH (S/N 10000000 - 10825201)**

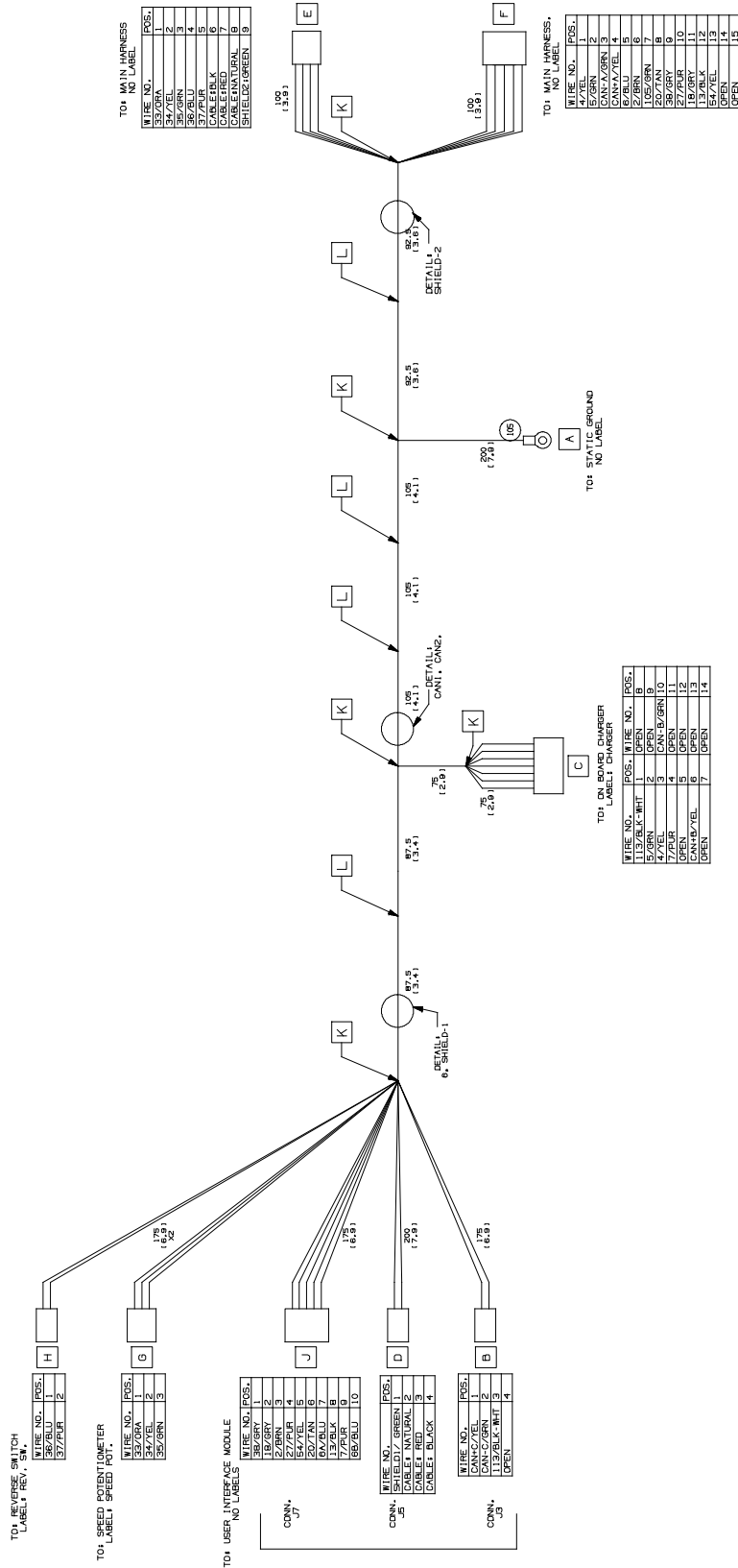
	<b>Part No.</b>	<b>Serial Number</b>	<b>Description</b>	<b>Qty.</b>
▽	1073677	(10000000- 10825201 )	Harness, Main, Ele [Vw, Base, Push] (Replaced By 9015156)	1
▲	222290	(10000000- 20000000 )	Diode, Ele, Plug	3
▲	1040868	(10000000- 20000000 )	Capacitor, Plug [.01 Uf, 200v]	1

▽ ASSEMBLY

▲ INCLUDED IN ASSEMBLY

ELECTRICAL HARNESS, OPTIONS PROPEL

1073592

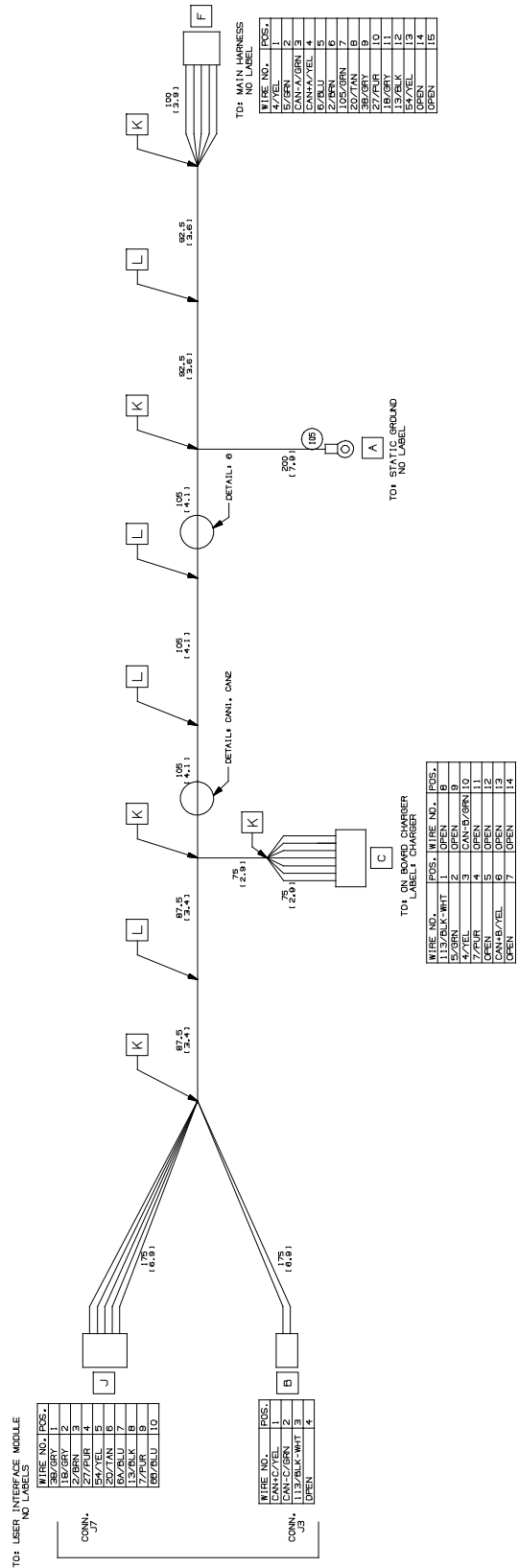


Part No.	Serial Number	Description	Qty.
1073592	(1000000-2000000 )	Harness, Ele [Vw, Op.Sta, Propel ]	1



ELECTRICAL HARNESS, OPTIONS PUSH

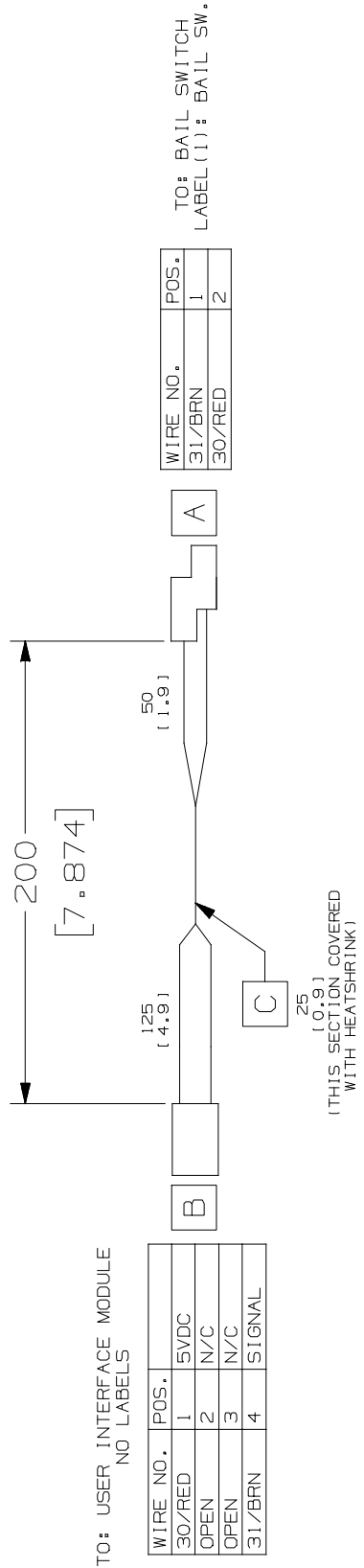
1073593



Part No.	Serial Number	Description	Qty.
1073593	(10000000-20000000 )	Harness, Ele [Vw, Op.Stat, Push]	1

ELECTRICAL HARNESS, BAIL SWITCH

1072524

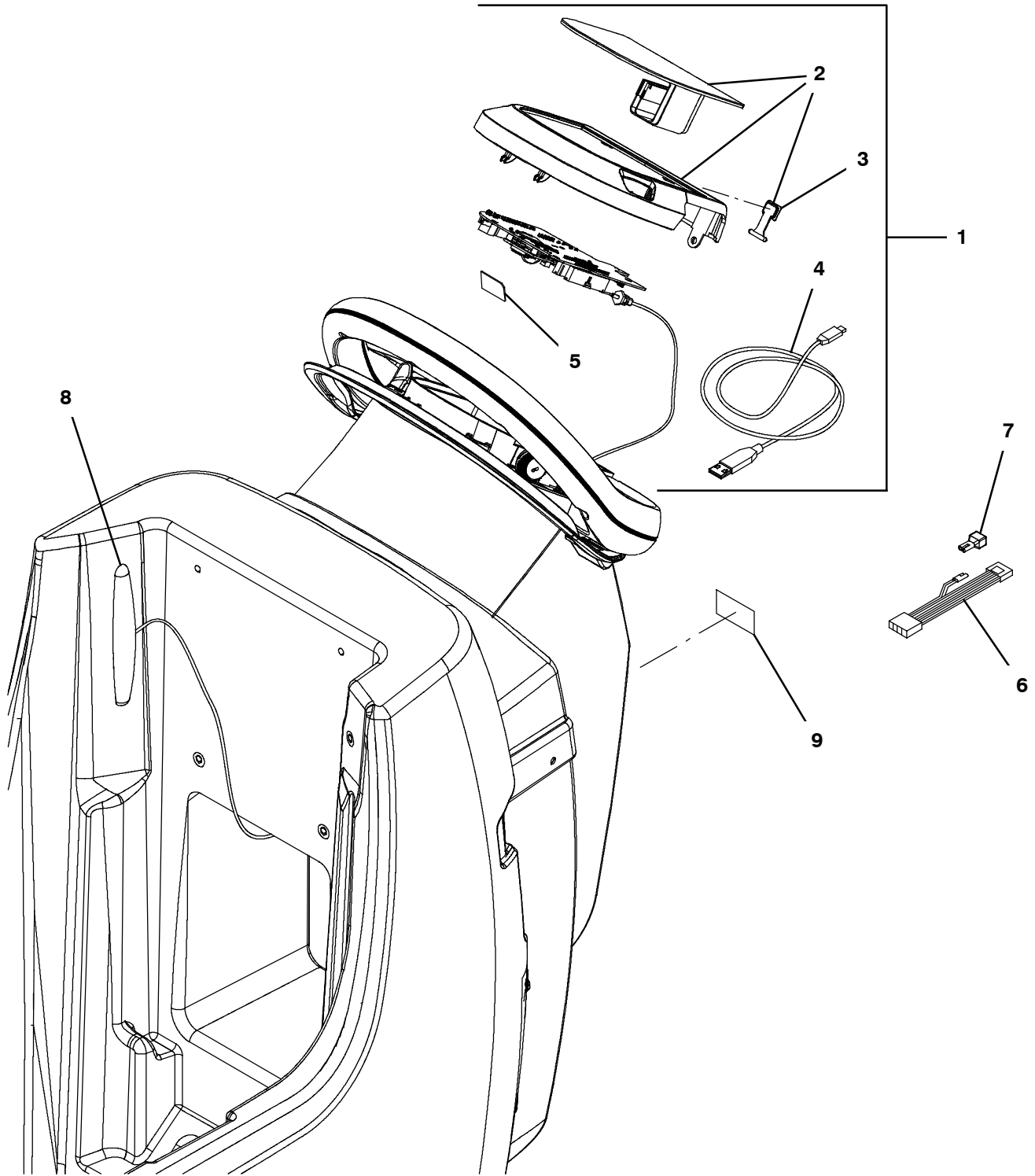


Part No.	Serial Number	Description	Qty.
1072524	(10000000-20000000 )	Harness, Ele [Bail Switch]	1



TELEMETRY GROUP

355684



TELEMETRY GROUP

Ref.	Part No.	Serial Number	Description	Qty.
∇	1	9017773*	(10000000- 20000000 ) Bezel Kit, Push, Mem., Ci [T300e, Telem]	1
▲∇	2	9017874	(10000000- 20000000 ) Screen Kit, Push, Memb., Ci [T300e/Ss]	1
▲▲	3	1205618	(10000000- 20000000 ) Cap, Usb	1
▲	4	1071235	(10000000- 20000000 ) Cable [Usb, 2m, A- Male To Mini- B- Male]	1
∇	1	9017774*	(10000000- 20000000 ) Bezel Kit, Propel, Mem., Ci [T300e, Telem]	1
▲∇	2	9017875	(10000000- 20000000 ) Screen Kit, Propel, Memb., Ci [T300e/Ss]	1
▲▲	3	1205618	(10000000- 20000000 ) Cap, Usb	1
▲	4	1071235	(10000000- 20000000 ) Cable [Usb, 2m, A- Male To Mini- B- Male]	1
	5	9014186	(10000000- 20000000 ) Kit, Telem, Ci [Sim, Usa, T300]	1
	5	9014187	(10000000- 20000000 ) Kit, Telem, Ci [Sim, Intl, T300]	1
	6	1075195	(10000000- 20000000 ) Harness, Ele, Adaptor [T300, Amii]	1
	7	222290	(10000000- 20000000 ) Diode, Ele, Plug	1
	8	315724	(10000000- 20000000 ) Antenna, Telem, 18.0 In [Gprs]	1
	9	1069580	(10000000- 20000000 ) Label, Mach, Telem [Usa, Intl]	1

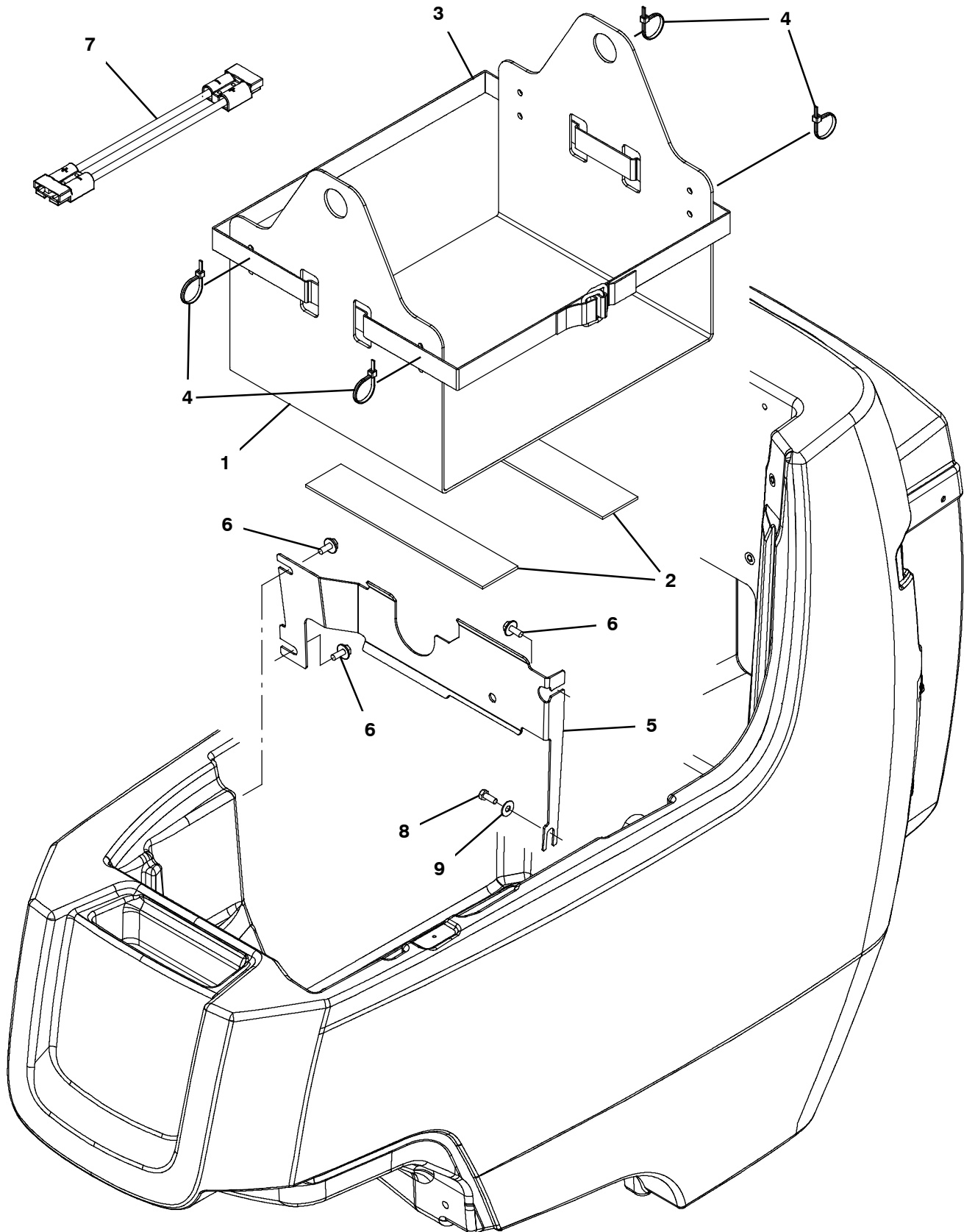
\* Requires Tennant *True* service or an authorized Tennant service provider.

∇ ASSEMBLY

▲ INCLUDED IN ASSEMBLY

BATTERY LIFT OUT BOX KIT

355306



**BATTERY LIFT OUT BOX KIT**

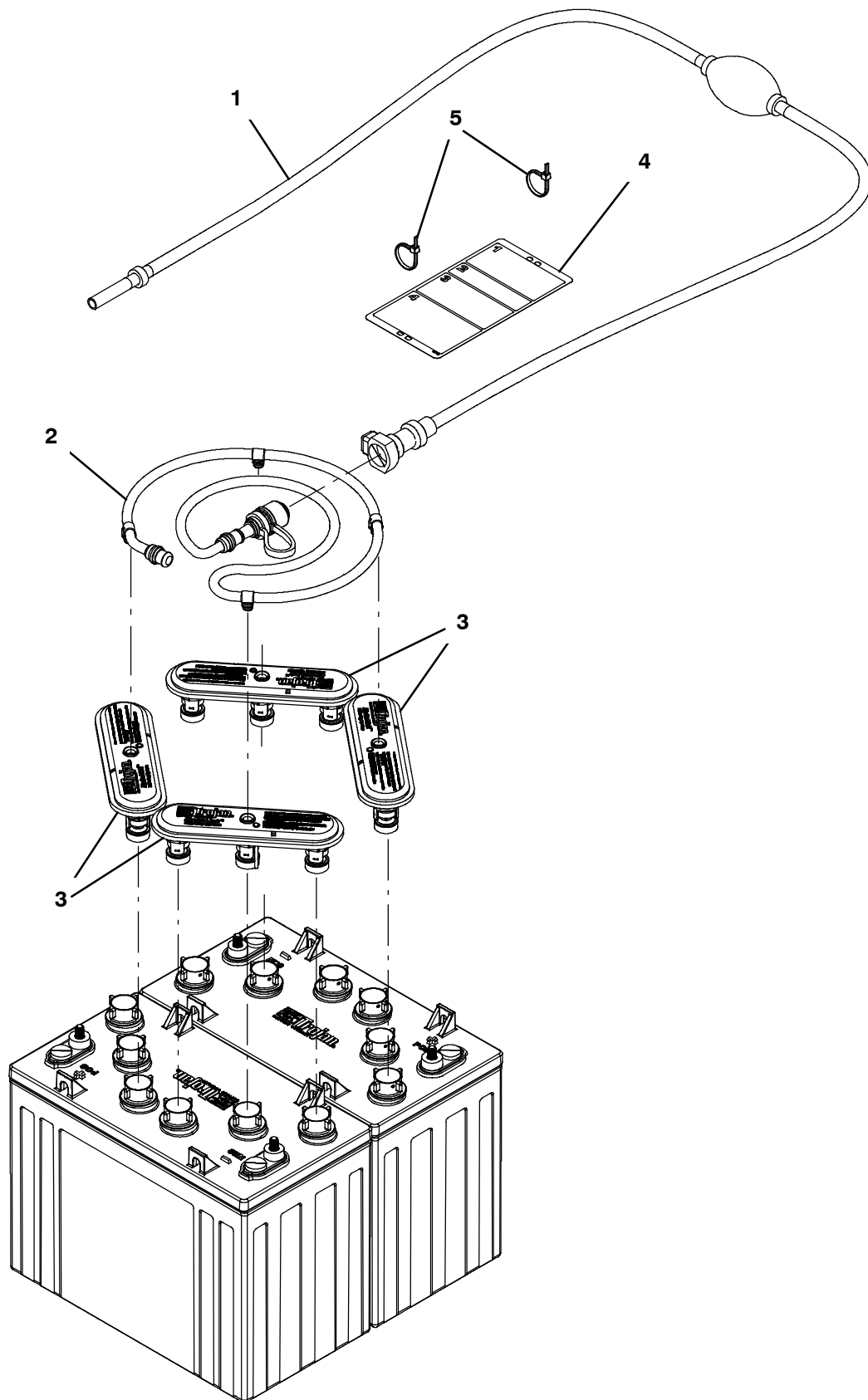
	<b>Ref.</b>	<b>Part No.</b>	<b>Serial Number</b>	<b>Description</b>	<b>Qty.</b>
▽		9014173	(10000000- 20000000 )	Box Kit, Lift, Batt, Am [T300/E/Ss300] (Additional Battery Cable Kit May Also Be Required)	1
▲	1	1207816	(10000000- 20000000 )	Box, Battery [Lift- Out]	1
▲	2	1212689	(10000000- 20000000 )	Pad, Box, Battery	2
▲	3	1208697	(10000000- 20000000 )	Strap, Pyp, Buckle, Friction	1
▲	4	130773	(10000000- 20000000 )	Tie, Cable, Nyl, 11.0l, .14w, 3.0 Max. D	4
▲	5	1214509	(10000000- 20000000 )	Bracket, Deflector, Battery	1
▲	6	1034731	(10000000- 20000000 )	Screw, Hex, M6 X 1.00 X 16, Sems, Ss	3
▲	7	1074798	(10000000- 20000000 )	Cable, Adaptor, Batt [Sb120- Sb50, Red] (Off- Board Charger Models Only)	1
▲	8	11329	(10000000- 20000000 )	Screw, Hex, M6 X 1.00 X 16, NI, Ss	1
▲	9	01684	(10000000- 20000000 )	Washer, Flat, 0.27b 0.69d .05, Ss	1

▽ ASSEMBLY

▲ INCLUDED IN ASSEMBLY

HYDROLINK® BATTERY WATERING SYSTEM KIT

355316





**HYDROLINK® BATTERY WATERING SYSTEM KIT**

	<b>Ref.</b>	<b>Part No.</b>	<b>Serial Number</b>	<b>Description</b>	<b>Qty.</b>
▽		9010300	(10000000- 20000000 )	Battery Fill Kit, 24v, Ci [Hydrolink] (For Use Only With 150AH Trojan Batteries)	1
▲	1	1058939	(10000000- 20000000 )	Pump Kit, Fill, Battery	1
▲	2	1229544	(10000000- 20000000 )	Tube, Water, Battery, 24vdc [Trojan]	1
▲	3	1204142	(10000000- 20000000 )	Cap, Fill, Battery [Trojan]	4
▲	4	1071084	(10000000- 20000000 )	Label, Tag, Battery [Hydrolink Watering]	1
▲	5	130773	(10000000- 20000000 )	Tie, Cable, Nyl, 11.0l, .14w, 3.0 Max. D	2

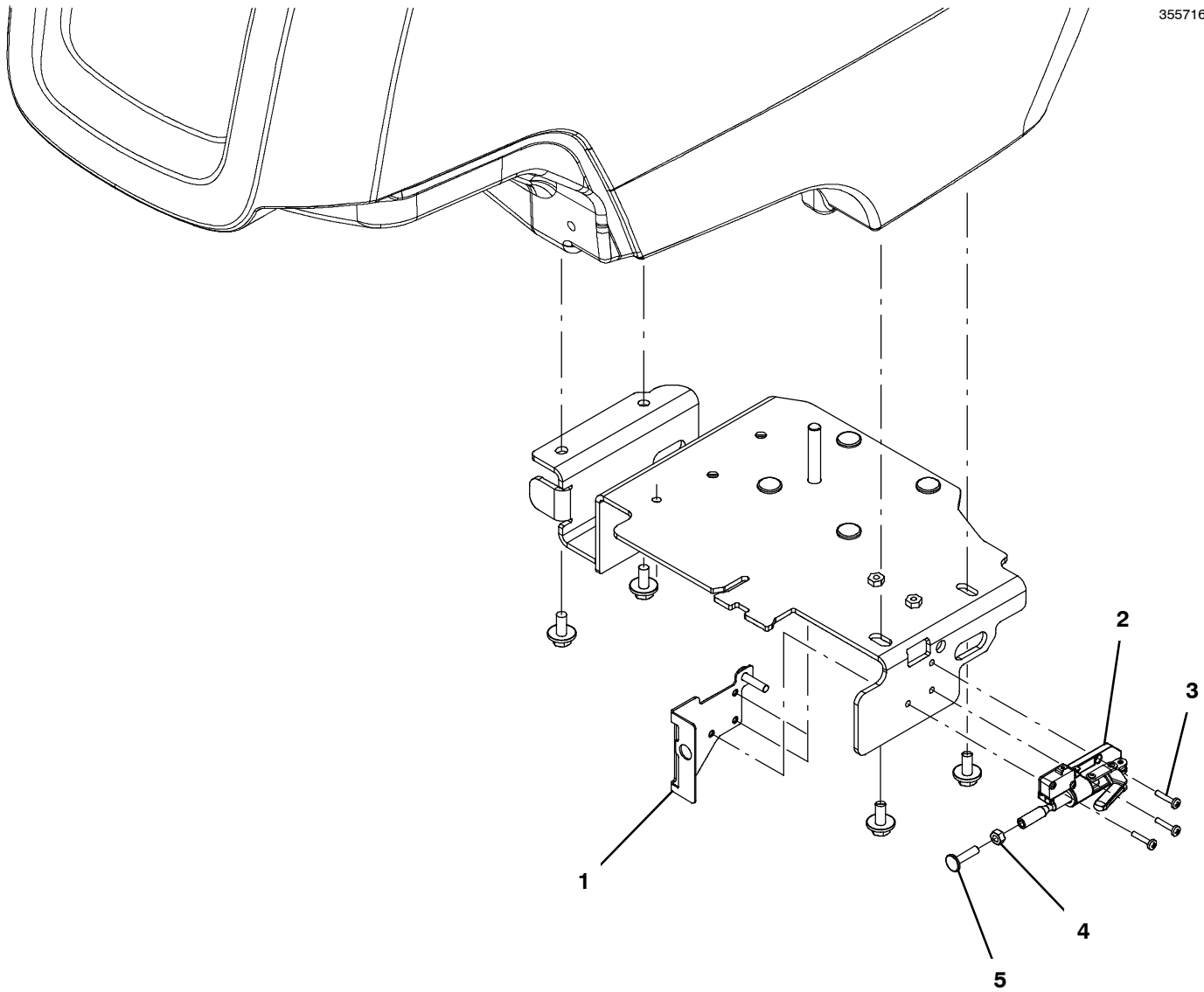
▽ ASSEMBLY

▲ INCLUDED IN ASSEMBLY

HYDROLINK® IS A REGISTERED TRADEMARK OF TROJAN BATTERY COMPANY.

PARKING BRAKE GROUP

355716



Ref.	Part No.	Serial Number	Description	Qty.
1	1211230	(10000000-20000000 )	Plate Wldt, Brake	1
2	1209983	(10000000-20000000 )	Clamp, Brake, Parking	1
3	24265	(10000000-20000000 )	Screw, Pan, Phl, M4 X 0.70 X 16, Ss	3
4	07785	(10000000-20000000 )	Nut, Hex, Std, M6 X 1.00, Ss	1
5	1017416	(10000000-20000000 )	Screw, Weld, M6 X 1.00 X 25, Thru, Ss	1

**DOCUMENTATION GROUP**

<b>Ref.</b>	<b>Part No.</b>	<b>Serial Number</b>	<b>Description</b>	<b>Qty.</b>
9014505		(10000000- 20000000 )	Manual, Parts [T300e, Na]	1
9014506		(10000000- 20000000 )	Manual, Oprtr [T300e, En, Na]	1
9014507		(10000000- 20000000 )	Manual, Oprtr [T300e, Es, Na]	1
9014508		(10000000- 20000000 )	Manual, Oprtr [T300e, Fr, Na]	1
9014509		(10000000- 20000000 )	Instr, Wall Chart [T300e, Na]	1
9014510		(10000000- 20000000 )	Manual, Service [T300/T300e, En]	1

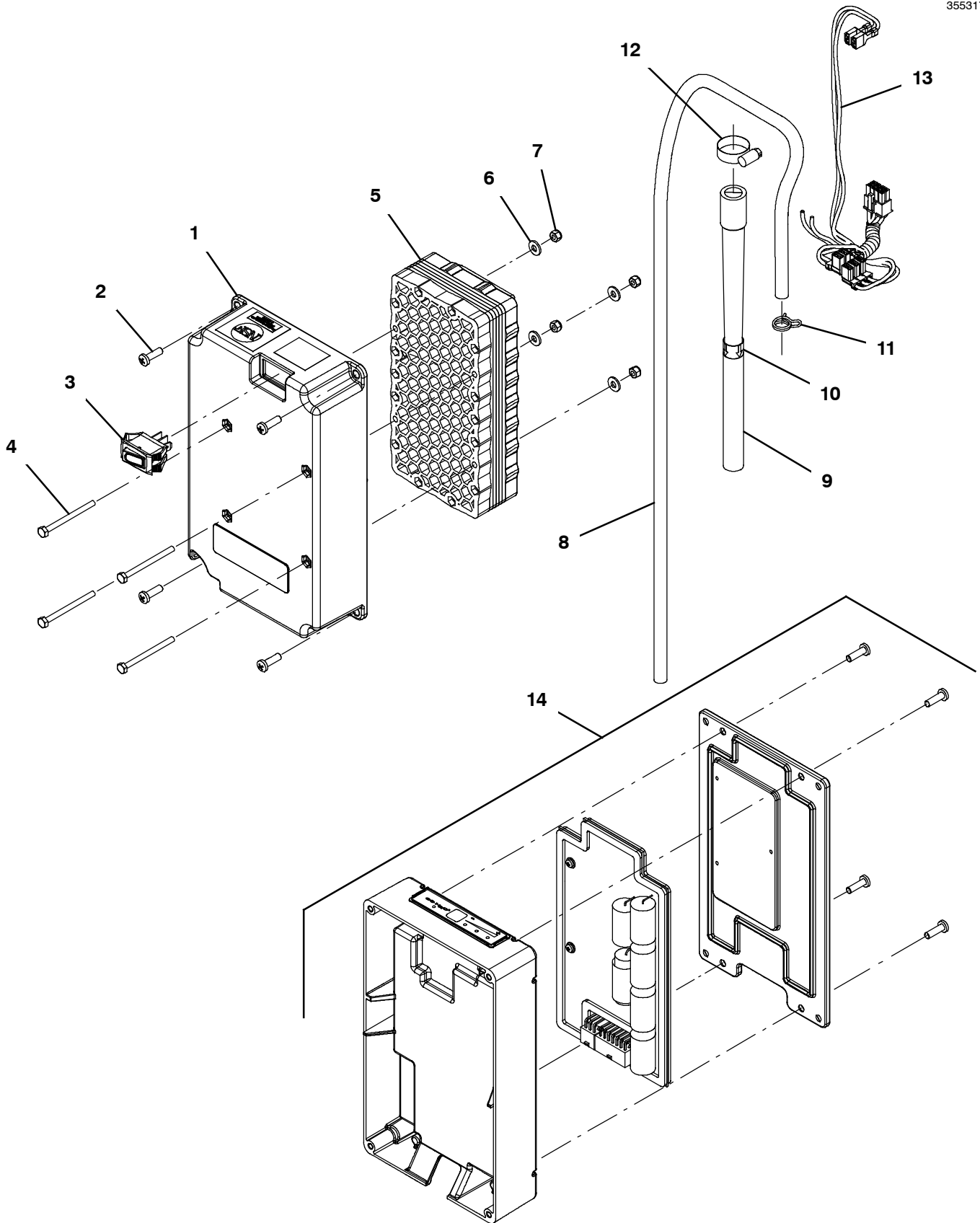


To view, print, order, download the latest Parts manual, other language Operator manuals, and Use and Care Guides (wall charts), visit:

[www.tennantco.com/manual](http://www.tennantco.com/manual)

ec-H2O NANOCLEAN MODULE BREAKDOWN

355317



## ec- H2O NANOCLEAN MODULE BREAKDOWN

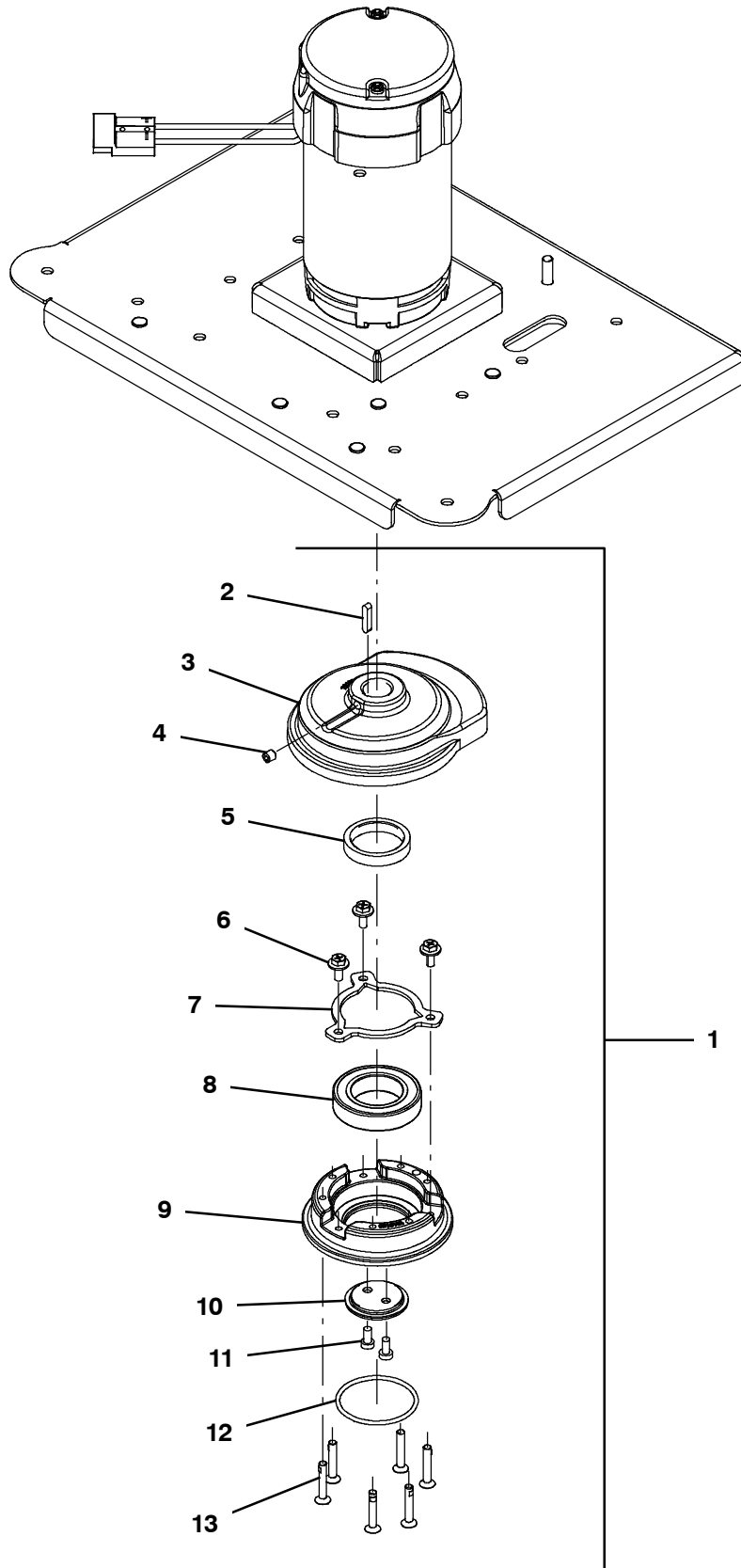
Ref.	Part No.	Serial Number	Description	Qty.
▽	9011810	(10000000- 20000000 )	Module Kit, Replmt [Ec- H2o, B 02] (Includes ec- H2O NanoClean Cartridge)	1
▲▽	9014126	(10000000- 20000000 )	Ec- H2o Nc Kit [Module B, Plumbing]	1
▲▲	1 1208823	(10000000- 20000000 )	Housing, Module, Upper, Ec- H2o	1
▲▲	2 1015506	(10000000- 20000000 )	Screw, Pan, Phl, M5 X 16, Tcut [Plastic]	4
▲▲	3 1044393	(10000000- 20000000 )	Switch, Rocker, Spst, Mom	1
▲▲	4 32509	(10000000- 20000000 )	Screw, Hex, M4 X 0.70 X 50, Ss	4
▲▲	5 1208164	(10000000- 20000000 )	Electrode, 5 Plate, High Flow	1
▲▲	6 41579	(10000000- 20000000 )	Washer, Flat, 08, Ss	4
▲▲	7 33932	(10000000- 20000000 )	Nut, Hex, Lock, M4 X 0.70, NI, Ss	4
▲▲	8 1006415	(10000000- 20000000 )	Hose, Afmkt, Pvc, Clr, 0.25id, 03ft	1
▲▲	9 1208526	(10000000- 20000000 )	Hose, Molded, Bm08/Bm06	1
▲▲	10 1049637	(10000000- 20000000 )	Label, Direction [Ec- H2o]	1
▲▲	11 613735	(10000000- 20000000 )	Clamp, Hose, Wir, .40 - .42, Yel	1
▲▲	12 54333	(10000000- 20000000 )	Clamp, Hose, Wormdrive, 0.31- 0.88d, .31w	1
▲▲	13 1073286	(10000000- 20000000 )	Harness, Ele, Module B2 [Ec- H2o]	1
▲	14 9014127	(10000000- 20000000 )	Controller Kit, Replmt [Ec- H2o Nc] (Includes ec- H2O NanoClean Cartridge)	1

▽ ASSEMBLY

▲ INCLUDED IN ASSEMBLY

ORBITAL HEAD ECCENTRIC DRIVE BREAKDOWN

355337



## ORBITAL HEAD ECCENTRIC DRIVE BREAKDOWN

	Ref.	Part No.	Serial Number	Description	Qty.
▽	1	9014175	(10000000- 20000000 )	Kit, Eccentric Assy, [T300]	1
▲	2	1014328	(10000000- 20000000 )	Key, Sq, 05mm X 05mm, 25mm	1
▲	3	N/A	(10000000- 20000000 )	Balance, Eccentric, Step [Machined]	1
▲	4	N/A	(10000000- 20000000 )	Screw, Set, M8 X 1.25 X 8, SS	1
▲	5	N/A	(10000000- 20000000 )	Spacer, Eccentric	1
▲	6	N/A	(10000000- 20000000 )	Screw, Hex, M6 X 1.00 X 16, Sems	3
▲	7	N/A	(10000000- 20000000 )	Plate, Retainer, Brg, Outer	1
▲	8	1206608	(10000000- 20000000 )	Bearing, Ball, 1.58b 2.68d 0.59w [2seal]	1
▲	9	N/A	(10000000- 20000000 )	Housing, Bearing, Outer [Machined]	1
▲	10	N/A	(10000000- 20000000 )	Retainer, Bearing, Inner [Qpq]	1
▲	11	N/A	(10000000- 20000000 )	Screw, Soc, M6 X 1.00 X 12, 8.8, Low	2
▲	12	1208266	(10000000- 20000000 )	O- Ring, 57.15 X 3.18, Nbr	1
▲	13	1212710	(10000000- 20000000 )	Screw, Flt, Soc, M6 X 1.00 X 35, 10.9,NI	6

▽ ASSEMBLY

▲ INCLUDED IN ASSEMBLY