

**MASSIMA TEMPERATURA INGRESSO ACQUA**  
MAX INPUT WATER TEMPERATURE

**65°C**  
**149° F**

**PRESSIONE MINIMA INGRESSO**  
MINIMAL INPUT PRESSURE

**0.2 BAR**  
**2.9 PSI**

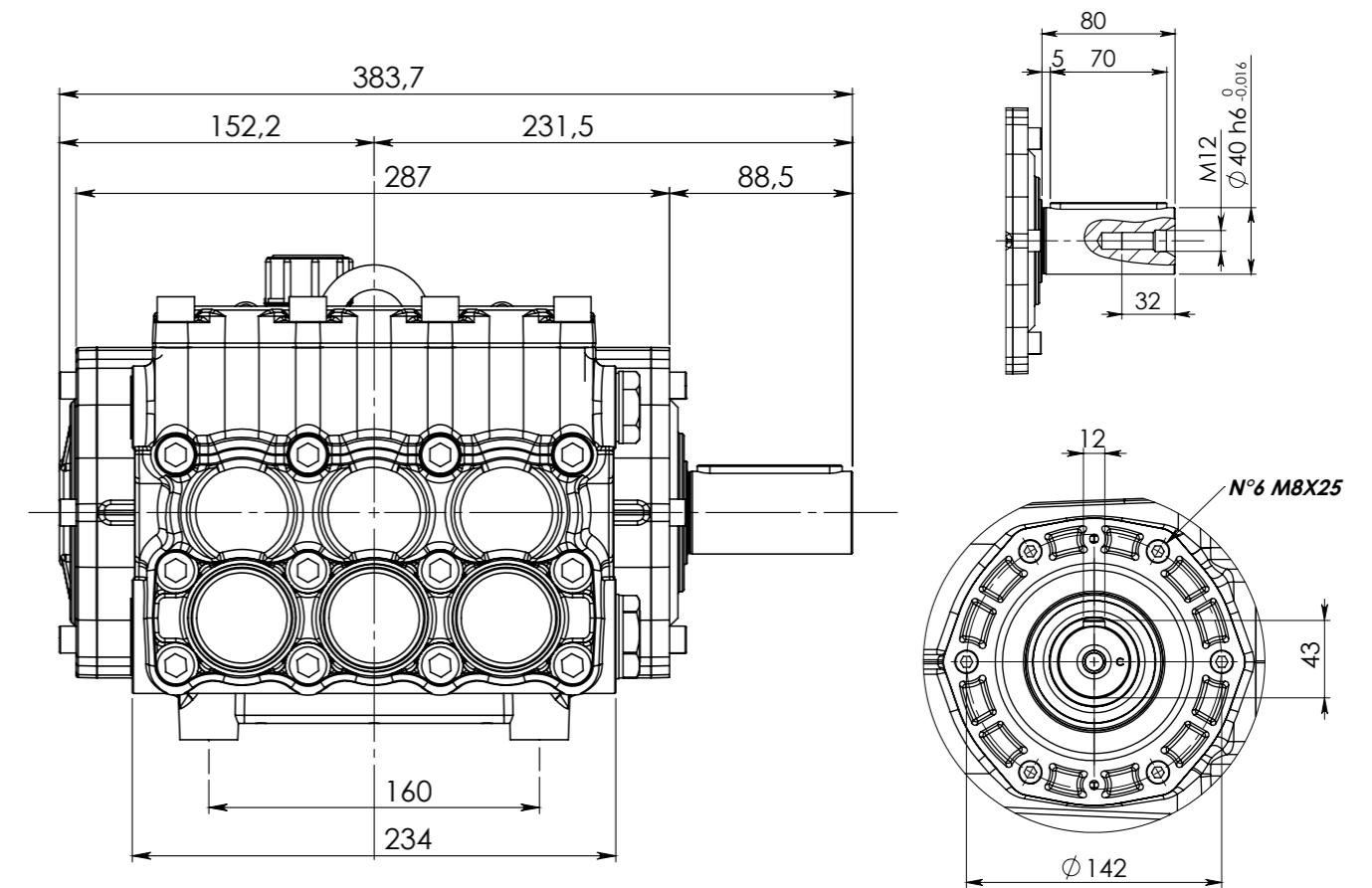
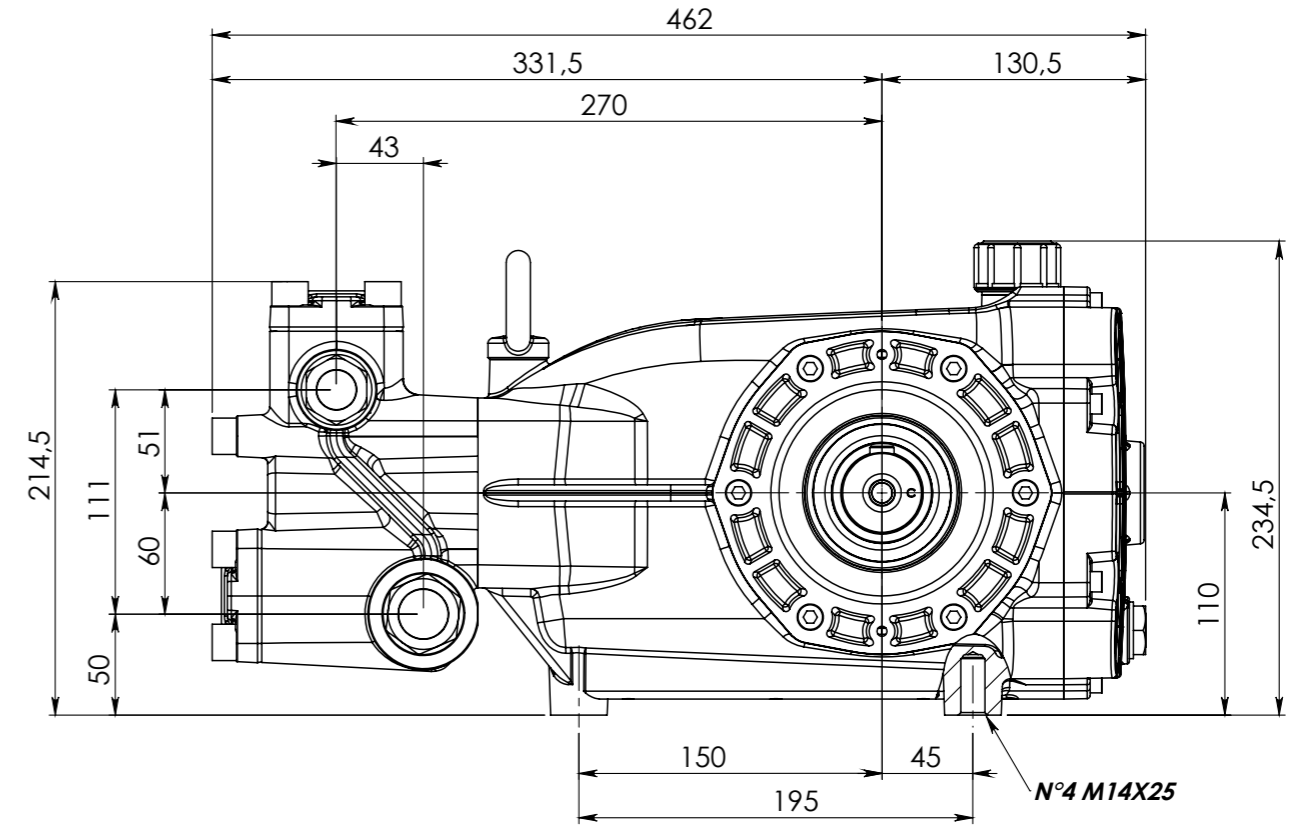
**INGRESSO**  
INLET

500 Bar 3/4"  
280 Bar 1"  
150 Bar 1 1/4"

**USCITA**  
OUTLET

500 Bar 1/2"  
280 Bar 3/4"  
150 Bar 3/4"

**DISPONIBILE DA NOVEMBRE 2020**  
AVAILABLE FROM NOVEMBER 2020



LM	PORTATA/FLOWRATE								PRESSIONE		POTENZA 50HZ				POTENZA 60HZ			
	1450rpm		1740rpm		1000rpm		1200rpm		bar	psi	1450rpm		1000rpm		1740rpm		1200rpm	
	L/min	gpm	L/min	gpm	L/min	gpm	L/min	gpm			Hp	kw	Hp	kw	Hp	kw	Hp	kw
LM26500	26,00	6,86	30,00	7,92	18,00	4,75	21,00	5,54	500,00	7252,00	33,49	24,97	23,47	17,50	39,76	26,65	28,01	20,89
LM36500	36,00	9,50	44,00	11,61	25,00	6,60	31,00	8,18	500,00	7252,00	46,97	35,03	32,75	24,42	56,99	42,50	40,16	29,95
LM41500	41,00	10,82	50,00	13,19	30,00	7,92	35,00	9,23	500,00	7252,00	53,46	39,86	39,11	29,16	65,21	48,63	45,95	34,27
LM40280	40,00	10,55	48,00	12,66	29,00	7,65	34,00	8,97	280,00	4060,00	29,37	21,90	21,04	15,69	35,24	26,28	25,12	18,73
LM61280	61,00	16,09	72,00	19,00	43,00	11,35	52,00	13,72	280,00	4060,00	44,26	33,00	31,71	23,64	52,52	39,16	37,85	28,22
LM80280	80,00	21,11	96,00	25,33	57,00	15,04	69,00	18,21	280,00	4060,00	58,54	43,65	41,94	31,28	70,25	52,38	50,06	37,33
LM94280	94,00	24,80	112,00	29,55	66,00	17,41	79,00	20,84	280,00	4060,00	68,47	51,06	47,99	35,79	81,28	60,61	57,28	42,72
LM72150	72,00	19,00	86,00	22,69	51,00	13,46	60,00	15,83	150,00	2175,00	28,28	21,09	19,83	14,78	33,56	25,03	23,66	17,65
LM100150	100,00	26,39	120,00	31,66	71,00	18,73	84,00	22,16	150,00	2175,00	39,32	29,32	27,57	20,56	46,67	34,80	32,90	24,53

DATI TEORICI CHE POTREBBERO SUBIRE MODIFICHE / THEORETICAL DATA THAT MAY CHANGES