

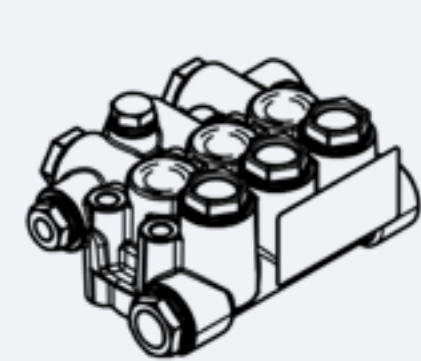
<p><b>MASSIMA TEMPERATURA INGRESSO ACQUA</b> MAX INPUT WATER TEMPERATURE</p> <p><b>85°C</b> <b>185° F</b></p>	<p><b>PRESSIONE MINIMA INGRESSO</b> MINIMAL INPUT PRESSURE</p> <p><b>3 BAR</b> <b>43.51 PSI</b></p>	<p><b>INGRESSO</b> INLET</p> <p><b>G 3/4"</b></p>	<p><b>USCITA</b> OUTLET</p> <p><b>G 1/2"</b></p>	<p><b>TESTATA NICHELATA</b> NICKEL PLATED MANIFOLD</p>
---	---	---	--	--



TGM HIGH TEMPERATURE	PORTATA FLOW RATE		GIRI ROUNDS	PRESSIONE PRESSURE		CAPACITÀ OLIO OIL CAPACITY		PESO WEIGHT	
	Lt/min	Gpm	Rpm	Bar	Psi	Lt	Gal	Kg	Lbs
50HZ	18.00 » 63.00	4.75 » 16.64	1450	150	2175	1.2	0.31	19	41.88
60Hz	21.60 » 75.60	5.70 » 19.97	1740	200	2900				

Codice Code	Modello Model	Portata / Flow Rate lt/min - gpm		Pressione Pressure		Potenza Power		Potenza Power		Albero Shaft	Ø Pistone Ø Plunger
		1450 rpm	1740 rpm	Bar	Psi	50Hz		60Hz			
						HP	Kw	HP	Kw		
P3.034.001	TGM18200R	18.00 4,76	21.60 5,71	200.00	2900	9.35	6.98	11.2	8.37	45mm Destra / Right	20
P3.034.002	TGM22200R	22.00 5,81	26.40 6,97	200.00	2900	11.43	8.53	13.71	10.23	45mm Destra / Right	20
P3.034.003	TGM25200R	25.00 6,60	30.00 7,93	200.00	2900	12.99	9.69	15.58	11.63	45mm Destra / Right	20
P3.034.005	TGM27200R	27.00 7,13	32.40 8,56	200.00	2900	14.03	10.38	16.83	12.56	55mm Destra / Right	20
P3.034.006	TGM30200R	30.00 7,93	36.00 9,51	200.00	2900	15.58	11.63	18.70	13.96	45mm Destra / Right	22
P3.034.008	TGM33200R	33.00 8,72	39.60 10,46	200.00	2900	17.14	12.79	20.57	15.35	55mm Destra / Right	22
P3.034.009	TGM35170R	35.00 9,25	42.00 11,10	170.00	2465	15.45	11.44	18.55	13.84	45mm Destra / Right	25
P3.034.010	TGM40170R	40.00 10,57	48.00 12,68	170.00	2465	17.66	13.18	21.19	15.82	45mm Destra / Right	25
P3.034.012	TGM43170R	43.00 11,36	51.60 13,63	170.00	2465	18.99	14.17	22.78	17.00	55mm Destra / Right	25
P3.034.013	TGM50150R	50.00 13,21	60.00 15,85	150.00	2175.57	19.48	14.53	23.38	17.45	45mm Destra / Right	28
P3.034.014	TGM54150R	54.00 14,27	64.80 17,12	150.00	2175.57	21.04	15.70	25.25	18.84	55mm Destra / Right	28
P3.034.034	TGM63150R	63.00 16,64	75.60 19,97	150.00	2175.57	24.55	18.32	29.45	21.82	55mm Destra / Right	28
P3.034.015	TGM18200 L	18.00 4,76	21.60 5,71	200.00	2900	9.35	6.98	11.22	8.37	45mm Sinistra / Left	20
P3.034.016	TGM22200 L	22.00 5,81	26.40 6,97	200.00	2900	11.43	8.53	13.71	10.23	45mm Sinistra / Left	20
P3.034.017	TGM25200 L	25.00 6,61	30.00 7,93	200.00	2900	12.99	9.69	15.58	11.63	45mm Sinistra / Left	20
P3.034.019	TGM27200 L	27.00 7,13	32.40 8,56	200.00	2900	14.03	10.38	16.83	12.56	55mm Sinistra / Left	20
P3.034.020	TGM30200 L	30.00 7,93	36.00 9,51	200.00	2900	15.58	11.63	18.70	13.96	45mm Sinistra / Left	22
P3.034.022	TGM33200 L	33.00 8,72	39.60 10,46	200.00	2900	17.14	12.79	20.57	15.35	55mm Sinistra / Left	22
P3.034.023	TGM35170 L	35.00 9,25	42.00 11,10	170.00	2465	15.45	11.44	18.55	13.84	45mm Sinistra / Left	25
P3.034.024	TGM40170 L	40.00 10,57	48.00 12,68	170.00	2465	17.66	13.18	21.19	15.82	45mm Sinistra / Left	25
P3.034.026	TGM43170 L	43.00 11,36	51.60 13,63	170.00	2465	18.99	14.17	22.78	17.00	55mm Sinistra / Left	25
P3.034.027	TGM50150 L	50.00 13,21	60.00 15,85	150.00	2175.57	19.48	14.54	23.38	17.45	45mm Sinistra / Left	28
P3.034.028	TGM54150 L	54.00 14,27	64.80 17,12	150.00	2175.57	21.04	15.70	25.25	18.84	55mm Sinistra / Left	28
P3.034.035	TGM63150L	63.00 16,64	75.60 19,97	150.00	2175.57	24.55	18.32	29.45	21.98	55mm Sinistra / Left	28

## RICAMBI TGM Ø20 / SPARE PARTS TGM Ø20



**KIT - P9.040.020**

TESTATA COMPLETA  
COMPLETE HEAD OF THE PUMP



**KIT - P9.039.002**

ANELLI TENUTA OLIO ASTA  
KIT OIL SEAL PUMP



**KIT - P9.003.032**

GUARNIZIONE PISTONE  
KIT PLUNGER SEALS



**KIT - P9.004.009**

PISTONE DIAMETRO 20  
KIT CERAMIC PISTON DIAMETER 20



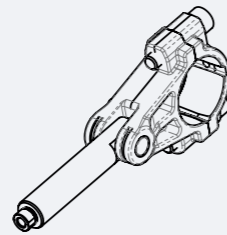
**KIT - P9.001.007**

VALVOLA COMPLETA  
COMPLETE VALVE



**KIT - P9.003.029**

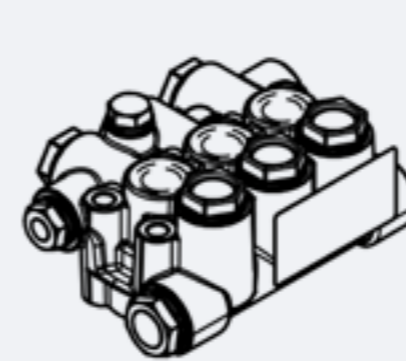
GUARNIZIONE PISTONE - PACCO COMPLETO  
KIT COMPLETE SEALS



**KIT - P9.041.005**

PREMONTATO BIELLA - ASTA  
PREASSEMBLED CONNECTING ROD

## RICAMBI TGM Ø25 / SPARE PARTS TGM Ø25



**KIT - P9.040.022**

TESTATA COMPLETA  
COMPLETE HEAD OF THE PUMP



**KIT - P9.039.002**

ANELLI TENUTA OLIO ASTA  
KIT OIL SEAL PUMP



**KIT - P9.003.034**

GUARNIZIONE PISTONE  
KIT PLUNGER SEALS



**KIT - P9.004.011**

PISTONE DIAMETRO 25  
KIT CERAMIC PISTON DIAMETER 25



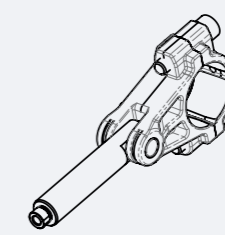
**KIT - P9.001.008**

VALVOLA COMPLETA  
COMPLETE VALVE



**KIT - P9.003.030**

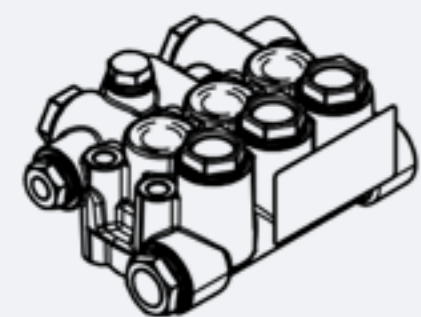
GUARNIZIONE PISTONE - PACCO COMPLETO  
KIT COMPLETE SEALS



**KIT - P9.041.005**

PREMONTATO BIELLA - ASTA  
PREASSEMBLED CONNECTING ROD

## RICAMBI TGM Ø22 / SPARE PARTS TGM Ø22



**KIT - P9.040.021**

TESTATA COMPLETA  
COMPLETE HEAD OF THE PUMP



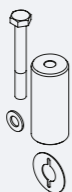
**KIT - P9.039.002**

ANELLI TENUTA OLIO ASTA  
KIT OIL SEAL PUMP



**KIT - P9.003.033**

GUARNIZIONE PISTONE  
KIT PLUNGER SEALS



**KIT - P9.004.010**

PISTONE DIAMETRO 22  
KIT CERAMIC PISTON DIAMETER 22



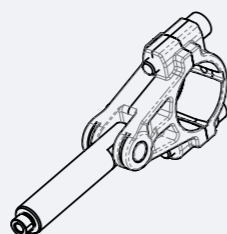
**KIT - P9.001.007**

VALVOLA COMPLETA  
COMPLETE VALVE



**KIT - P9.003.024**

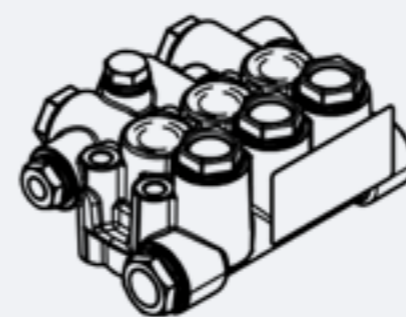
GUARNIZIONE PISTONE - PACCO COMPLETO  
KIT COMPLETE SEALS



**KIT - P9.041.005**

PREMONTATO BIELLA - ASTA  
PREASSEMBLED CONNECTING ROD

## RICAMBI TGM Ø28 / SPARE PARTS TGM Ø28



**KIT - P9.040.023**

TESTATA COMPLETA  
COMPLETE HEAD OF THE PUMP



**KIT - P9.039.002**

ANELLI TENUTA OLIO ASTA  
KIT OIL SEAL PUMP



**KIT - P9.003.035**

GUARNIZIONE PISTONE  
KIT PLUNGER SEALS



**KIT - P9.004.012**

PISTONE DIAMETRO 28  
KIT CERAMIC PISTON DIAMETER 28



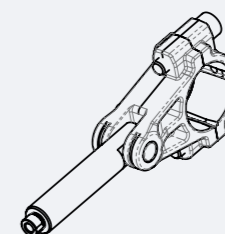
**KIT - P9.001.008**

VALVOLA COMPLETA  
COMPLETE VALVE



**KIT - P9.003.031**

GUARNIZIONE PISTONE - PACCO COMPLETO  
KIT COMPLETE SEALS



**KIT - P9.041.005**

PREMONTATO BIELLA - ASTA  
PREASSEMBLED CONNECTING ROD