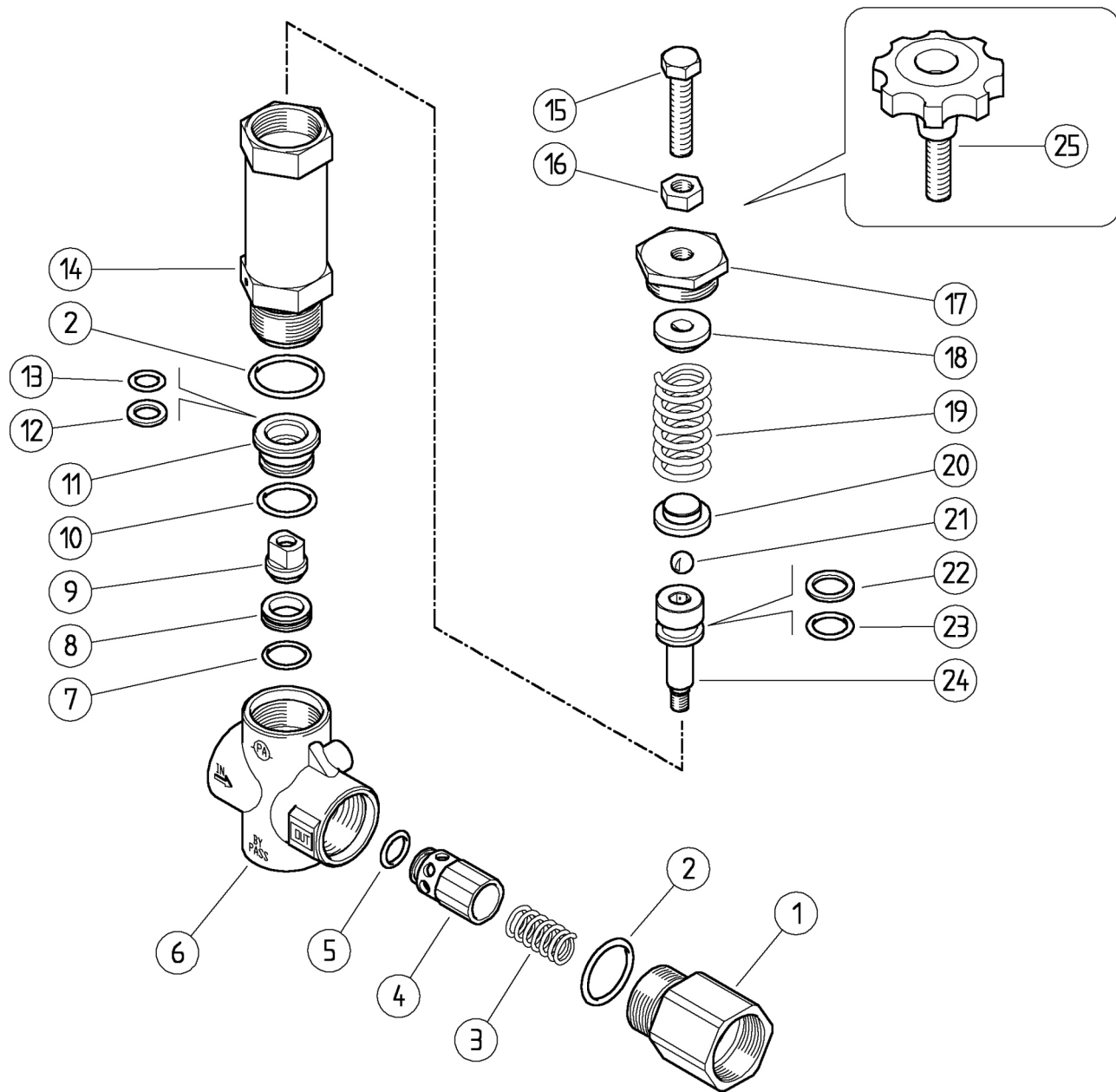


60.5000.00 VB200/150 unload. 1" F Npt
 60.5000.10 VB200/150 unload. 1" F Bsp Viton O-Rings
 60.5000.15 VB200/150 unload. 1" F Bsp
 60.5020.00 VB200/150 unload. 1" F Npt +handwheel

60.5020.15 VB200/150 unloader 1" F Bsp +hand wheel
 60.5025.00 VB200/70 unldr valve, 1" Npt
 60.5025.15 VB200/70 unldr valve, 1" Bsp FF



K1 K2 K3 K4

K1 K2 K3 K4

1	60.5014.31RShutter coupl., 1"Npt F brass	1				3
1	60.5026.31RCoupling, 1"Bsp F brass (1,2)	1				3
2	10.3206.01RO-ring, 2,62x28,25 mm	2	•	•		10
3	60.5013.51RSpring, 1,3x18x29 mm Sst.	1				10
4	60.5012.99RShutter pin, brass+or 5,33x12,06 mm N	1				5
5	10.3314.00RO-ring, 5,33x12,06 mm	1	•			10
5	10.3314.10RO-ring, 5,33x12,06 mm Vi 90 (3)	1		•		10
6	60.5001.35RHousing-VB200/60-150, 1"Npt brass	1				1
6	60.5024.35RHous.-VB200/150-1"Bsp FF (1,2)	1				1
7	10.3072.01RO-ring, 1,78x20,35 mm Ni 85	1	•	•		10
8	60.5002.51RSeat, 15,8x23x6 mm Sst.	1	•	•		5
9	60.5003.51RShutter pin, M8 Sst.	1	•	•		3
10	10.3195.01RO-ring, 2,62x20,29 mm Ni 90	1	•	•		10
11	60.5010.31RReduction bushing, brass	1				10
12	10.4080.00RBack-up ring, 12x18,2x2 mm	1	•	•		10
13	10.3234.00RO-ring, 3,53x10,69 mm	1	•			10

13	10.3234.10RO-ring, 3,53x10,69 mm Vi 70 (3)	1		•		10
14	60.5009.31RPiston holder, brass	1				3
15	60.5011.61RValve regulating screw, M10x44 z.pl. (4)	1				10
16	11.4629.00RHex. nut, M10	1				10
17	60.5008.31RUpper plug, M10 brass	1				10
18	60.5005.31RSpring guide spacer, brass	1				10
19	60.5006.61RSpring, 6x30x62 mm	1				5
19	60.5031.61RSpring 5x23x62 mm (5,2)	1				1
20	60.5007.31RSpring guide spacer, brass	1				10
21	14.7461.00RBall, 13/32" Sst.	1				10
22	10.4081.00RBack-up ring, 15,8x22x2 mm	1	•	•		10
23	10.3237.00RO-ring, 3,53x15,47 mm	1	•			10
23	10.3237.10RO-ring, 3,53x15,47 mm Vi 70 (3)	1		•		10
24	60.5004.51RPiston, M8 Sst.	1				5
25	60.5021.22 Handwheel, 70mm -M10x44 (6,7)	1				2

K1	60.5016.24 Spares kit -VB200/150, 10x1pcs.	1
K2	60.5019.24 Spares kit -VB200/150, or. vit.10x1pcs.	1

(1) 60.5000.15 (2) 60.5025.15 (3) 60.5000.10 (4) 60.5000.00 (5) 60.5025.00 (6) 60.5020.00 (7) 60.5020.15