

	EQUIPAGGIAMENTI TECNICI LAVAGGIO	25.0850.12 VAN 250	Ⓡ	<span style="border: 2px solid black; padding: 2px;">4</span>
			Ⓜ	

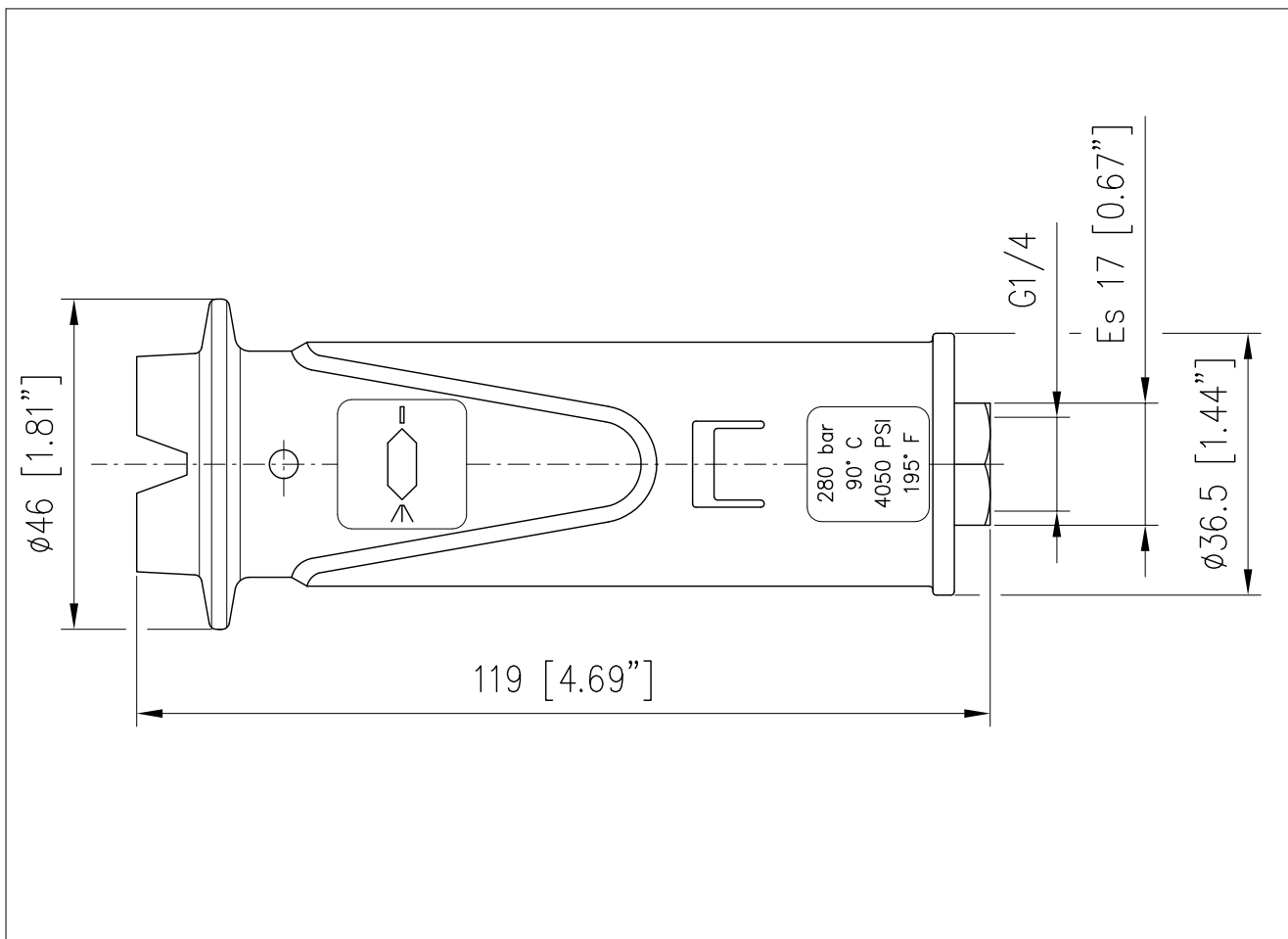
UGELLO AD ANGOLO VARIABILE  
VARIABLE ANGLE NOZZLE



CARATTERISTICHE TECNICHE  
SPECIFICATIONS

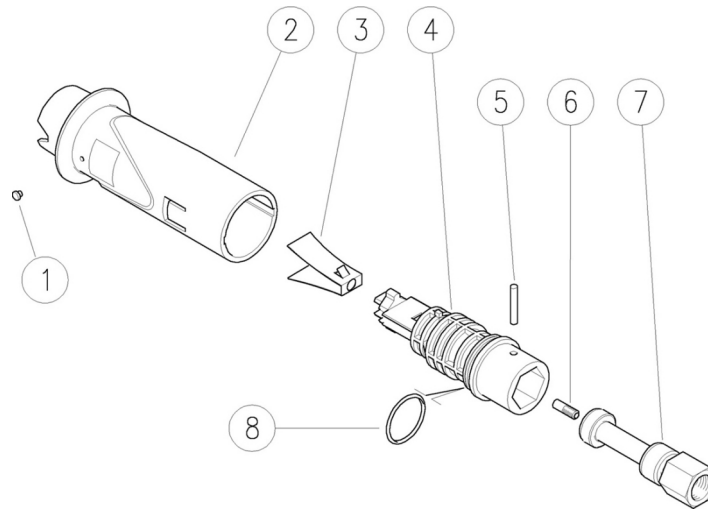
- PRESSIONE NOMINALE RATED PRESSURE	250 bar – 25 MPa (3650 psi)
- PRESSIONE CONSENTITA PERMISSIBLE PRESSURE	280 bar – 28 MPa (4050 psi)
- PORTATA MASSIMA MAX FLOW RATE	40 l/min (10.5 USG p.m.)
- TEMPERATURA MASSIMA MAX WORKING TEMPERATURE	90° C (195°F)
- UGELLO M4 (FATTORE DI PORTATA) NOZZLE M4 (CAPACITY SIZE)	025-03-035-04-045-053

MISURE D'INGOMBRO  
OVERALL DIMENSIONS



25.0850.11 Van250-025 Ug.ang.var.G1/4 F  
 25.0850.12 Van250-03 Ug.ang.var.G1/4 F  
 25.0850.13 Van250-035 Ug.ang.var.G1/4 F

25.0850.14 Van250-04 Ug.ang.var.G1/4 F  
 25.0850.15 Van250-045 Ug.ang.var.G1/4 F  
 25.0850.16 Van250-053 Ug.ang.var.G1/4 F



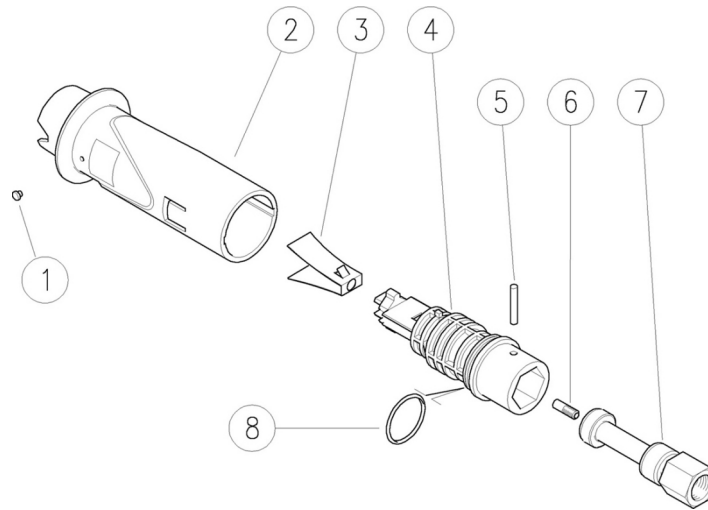
Pos.	Codice	Descrizione	Q.tà	K1	K2	K3	K4	
1	15.2000.25	Chiodo 025 rosa (1)	1					10
2	25.0851.84	Manopola ugello nera	1				3	10
3	25.1303.51	Deflettore inox	1	•				10
4	25.0702.84	Corpo deflettore POM	1					10
5	15.1037.00	Spina cil. 3x23 mm inox	1					10
6	25.1091.51	Ugello 025 - M4 inox rosa (1)	1					10
6	25.1092.51	Ugello 03 - M4 inox bianco (2)	1					10
6	25.1093.51	Ugello 035 - M4 inox marrone (3)	1					10
6	25.1094.51	Ugello 04 - M4 inox giallo scuro (4)	1					10
6	25.1095.51	Ugello 045 - M4 inox blu (5)	1					10
6	25.1196.51	Ugello 053 - M4 inox beige (6)	1					10
7	25.0852.31	Perno G1/4 F	1					3
8	10.3072.50	An.OR 1,78x21,95 mm	1	•				10

Kit	Codice	Descrizione	
K1	25.0853.24	Kit ric. Van 250 2x5pz.	1

(1) 25.0850.11 (2) 25.0850.12 (3) 25.0850.13 (4) 25.0850.14 (5) 25.0850.15 (6) 25.0850.16

25.0850.11 Van250-025 variabl.angle nzl 1/4F Bsp  
 25.0850.12 Van250-03 variabl.angle nzl 1/4F Bsp  
 25.0850.13 Van250-035 variabl.angle nzl 1/4F Bsp

25.0850.14 Van250-04 variabl.angle nzl 1/4F Bsp  
 25.0850.15 Van250-045 variabl.angle nzl 1/4F Bsp  
 25.0850.16 Van250-053 variabl.angle nzl 1/4F Bsp



Pos.	P/N	Description	Q.ty	K1	K2	K3	K4	
1	15.2000.25	Stud, 025 pink (1)	1					10
2	25.0851.84	Nozzle knob, black	1					3
3	25.1303.51	Sst deflector	1	•				10
4	25.0702.84	Deflector housing, POM	1					10
5	15.1037.00	Parallel pin, 3x23 mm Sst.	1					10
6	25.1091.51	Nozzle, 025 - M4 Sst. pink (1)	1					10
6	25.1092.51	Nozzle, 03 - M4 Sst. white (2)	1					10

Pos.	P/N	Description	Q.ty	K1	K2	K3	K4	
6	25.1093.51	Nozzle, 035 - M4 Sst. brown (3)	1					10
6	25.1094.51	Nozzle, 04 - M4 Sst. dark yellow (4)	1					10
6	25.1095.51	Nozzle, 045 - M4 Sst. blue (5)	1					10
6	25.1196.51	Nozzle, 053 - M4 Sst. beige (6)	1					10
7	25.0852.31	Pin, 1/4F Bsp	1					3
8	10.3072.50	O-ring, 1,78x21,95 mm	1	•				10

Kit	P/N	Description	
K1	25.0853.24	Spares kit Van 250 2x5pcs.	1

(1) 25.0850.11 (2) 25.0850.12 (3) 25.0850.13 (4) 25.0850.14 (5) 25.0850.15 (6) 25.0850.16



P.A. S.p.A.

Via Milano, 13  
42048 Rubiera, Reggio Emilia - Italy

Tel +39.0522.623611  
Fax +39.0522.629600

info@pa-etl.it

[www.pa-etl.it](http://www.pa-etl.it)



COMPANY WITH QUALITY MANAGEMENT  
SYSTEM CERTIFIED BY DNV  
= ISO 9001 =