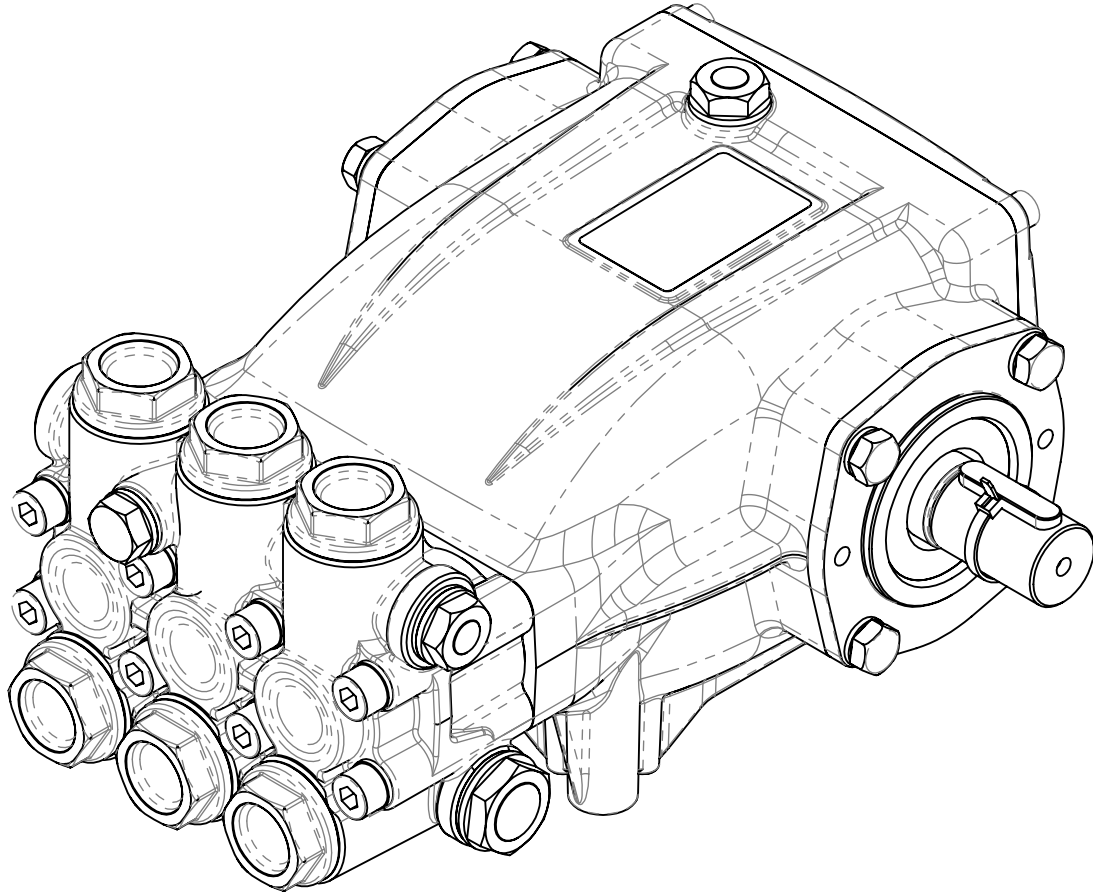
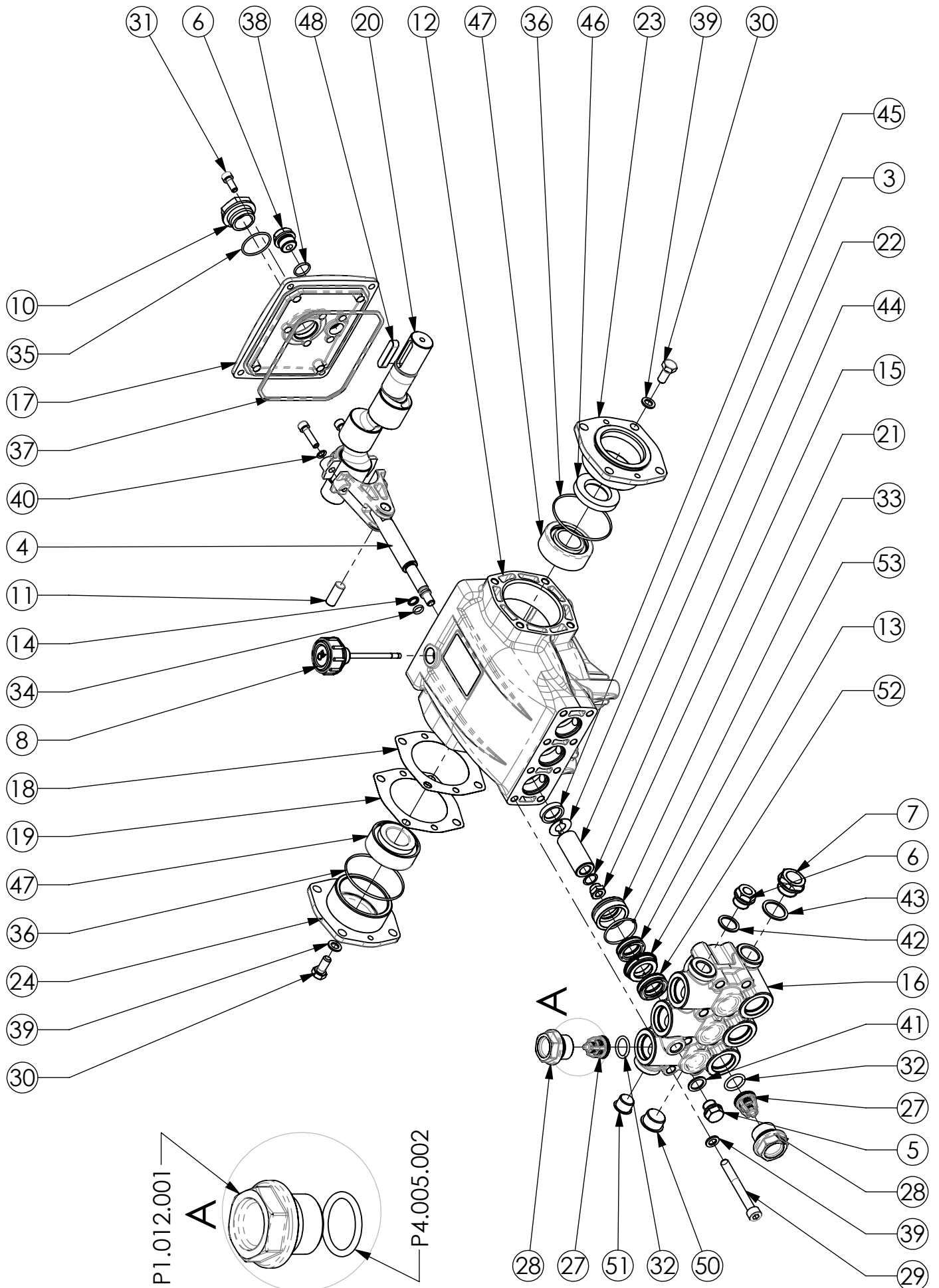


MM



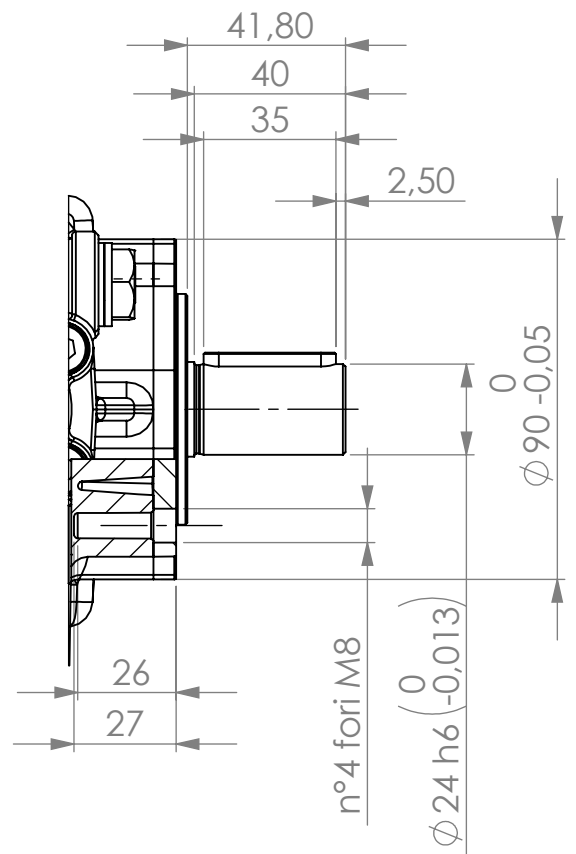
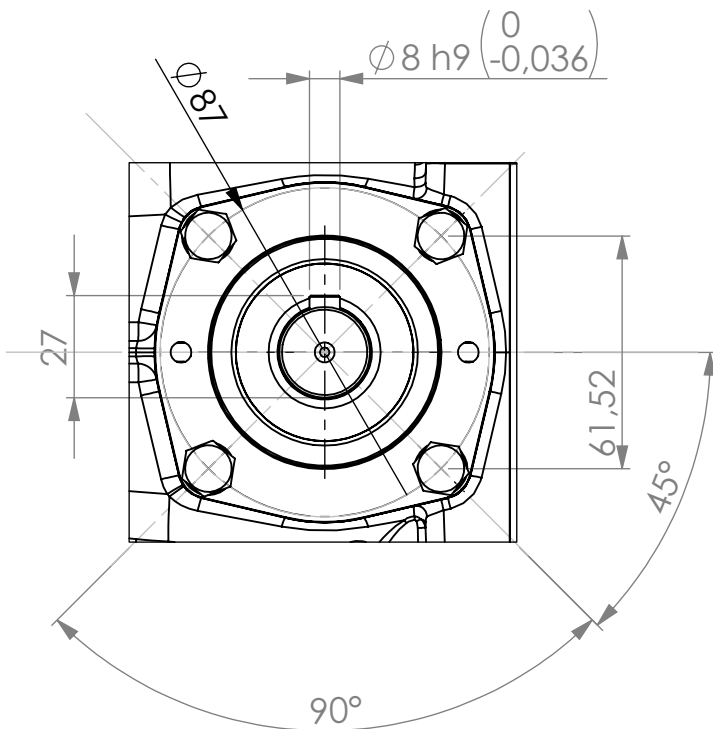
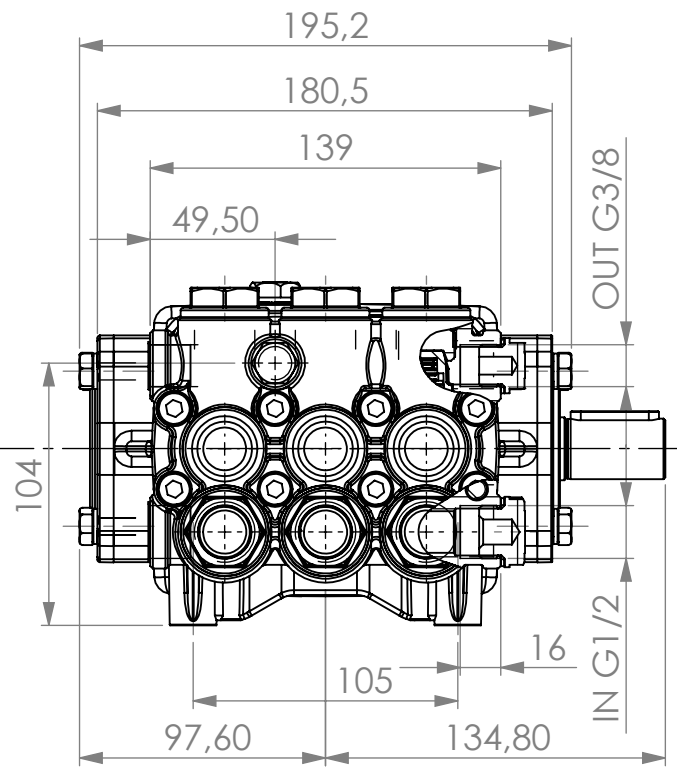
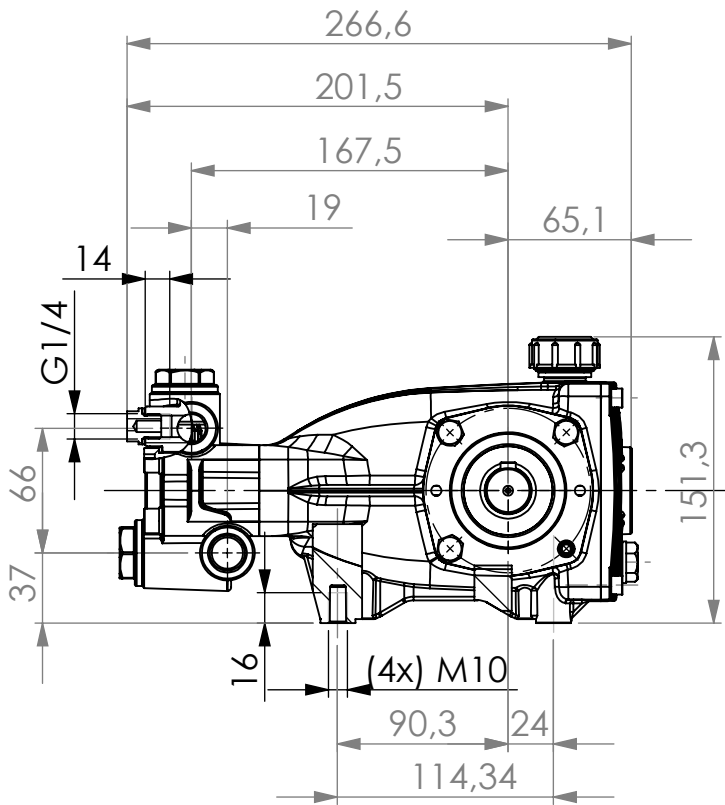
Descrizione	Pressione (Bar)	Pressione (psi)	Portata 1450 rpm (Lit/min)	Portata 1740 rpm (Lit/min)	Portata 1450 rpm (gpm)	Portata 1740 rpm (gpm)	Giri 50Hz (RPM)	Giri 60Hz (RPM)	Potenza 50Hz (Hp)	Potenza 50Hz (Kw)	Potenza 60Hz (Hp)	Potenza 60Hz (Kw)
MM12200RL	200,00	2900,75	12,00	14,40	3,17	3,80	1450,00	1740,00	6,23	4,65	7,48	5,58
MM15200RL	200,00	2900,75	15,00	18,00	3,96	4,76	1450,00	1740,00	7,79	5,81	9,35	6,97
MM15200RL	200,00	2900,75	15,00	18,00	3,96	4,76	1000,00	1200,00	7,79	5,81	9,35	6,97
MM18200RL	200,00	2900,75	18,00	21,60	4,76	5,71	1450,00	1740,00	9,35	6,97	11,22	8,37
MM21200RL	200,00	2900,75	21,00	25,20	5,55	6,66	1450,00	1740,00	10,91	8,13	13,09	9,76



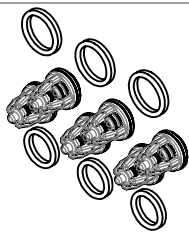
SCALA 1 : 2

Pos.	Q.ta	Code	ITALIANO	INGLESE	TEDESCO	SPAGNOLO	FRANCESE
1	1	P0.007.001	Etichetta 55x34	Label 55x34	Etikett 55x34	Etiqueta 55x34	Étiquette 55x34
3	3	P1.003.001	Rondella Rame ø23.5xø11.2x0.5	Copper washer ø23.5xø11.2x0.5	Kupferunterlegsscheib e ø23.5xø11.2x0.5	Arandela de cobre ø23.5xø11.2x0.5	Rondelle cuivre ø23.5xø11.2x0.5
4	3	P1.010.001	Asta MM	Pole MM	Pfosten MM	Asta MM	Tige MM
5	1	P1.012.002	Tappo 1/4"Gas	Cap 1/4"Gas	Deckel 1/4"Gas	Tapón 1/4"Gas	Bouchon 1/4"Gas
6	2	P1.012.003	Tappo G 3/8" H18	Cap G 3/8" H18	Deckel G 3/8" H18	Tapón G 3/8" H18	Bouchon G 3/8" H18
7	1	P1.012.004	Tappo G1/2"	Cap G1/2"	Deckel G1/2"	Tapón G1/2"	Bouchon G1/2"
8	1	P1.012.006	Tappo G3/8" L.75	Cap G3/8" L.75	Deckel G3/8" L.75	Tapón G3/8" L.75	Bouchon G3/8" L.75
9	1	P1.012.007	Tappo 3/8	Cap 3/8	Deckel 3/8	Tapón 3/8	Bouchon 3/8
10	1	P1.012.015	Tappo G3/4	Cap G3/4	Deckel G3/4	Tapón G3/4	Bouchon G3/4
11	3	P1.013.001	Spina cilindrica ø10x25	Cylindrical pin ø10x25	Zylinder Stiff ø10x25	Pasador cilindrico ø10x25	Goupille cylindrique ø10x25
12	1	P1.020.001	Corpo "MM"	Body "MM"	Körper "MM"	Cuerpo "MM"	Corps "MM"
13	3	P1.024.001	Diffusore ø20 "MM"	Diffusor ø20 "MM"	Diffusor ø20 "MM"	Difusor ø20 "MM"	Diffuseur ø20 "MM"
14	3	P1.027.001	Anello 11x8.3x1.3	Ring 11x8.3x1.3	Ring 11x8.3x1.3	Anillo 11x8.3x1.3	Bague 11x8.3x1.3
15	3	P1.035.001	Dado M8x1	Nut M8x1	Mutter M8x1	Dado M8x1	Ecrou M8x1
16	1	P1.043.001	Testata pompa PMED	Pump head PMED	Pumpekopf PMED	Cabeza bomba PMED	Tete de pompe PMED
17	1	P1.054.001	Coperchio "MM"	Cover "MM"	Deckel "MM"	Tapa "MM"	Couvercle "MM"
18	1	P1.060.003	Distanziale "MM" 0.19	Spacer "MM" 0.19	Distanzstueck "MM" 0.19	Distanciador "MM" 0.19	Entretoise "MM" 0.19
19	1	P1.060.004	Distanziale "MM" 0.05	Spacer "MM" 0.05	Distanzstueck "MM" 0.05	Distanciador "MM" 0.05	Entretoise "MM" 0.05
20	1	P1.067.005	Albero "MM" E	Shaft "MM" E	Welle "MM" E	Eje "MM" E	Arbre "MM" E
21	3	P1.070.001	Pressore "U" ø20 "MM"	Pressure Ring "U" ø20 "MM"	Bague de pression "U" ø20 "MM"	Anillo de presión "U" ø20 "MM"	Bague de pression "U" ø20 "MM"
22	3	P1.071.001	Pistone ø20	Piston ø20	Kolben ø20	Pistón ø20	Piston ø20
23	1	P1.074.001	Flangia "MM" A	Flange "MM" A	Flansch "MM" A	Borde "MM" A	Bride "MM" A
24	1	P1.074.002	Flangia "MM" C	Flange "MM" C	Flansch "MM" C	Borde "MM" C	Bride "MM" C
25	1	P1.087.014	Etichetta	Label	Etikett	Etiqueta	Étiquette
26	3	P1.099.002	Biella MM	Connecting rod MM	Plenelstange MM	Biela MM	Bielle MM
27	6	P2.003.001	Valvola VAM 21Lit./min.	Valve VAM 21Lit./min.	Ventil VAM 21Lit./min.	Válvula VAM 21Lit./min.	Valve VAM 21Lit./min.
28	6	P2.013.001	Tappo M24x1.5+OR2.62x20.29	Cap M24x1.5+OR2.62x20.29	Deckel M24x1.5+OR2.62x20.29	Tapón M24x1.5+OR2.62x20.29	Bouchon M24x1.5+OR2.62x20.29
29	8	P4.002.001	Vite M8x70 UNI 5931	Screw M8x70 UNI 5931	Schrauben M8x70 UNI 5931	Tornillo M8x70 UNI 5931	Vis M8x70 UNI 5931
30	8	P4.002.003	Vite M8x18 UNI5739	Screw M8x18 UNI5739	Schrauben M8x18 UNI5739	Tornillo M8x18 UNI5739	Vis M8x18 UNI5739
31	4	P4.002.004	Vite M6x16 UNI5931	Screw M6x16 UNI5931	Schrauben M6x16 UNI5931	Tornillo M6x16 UNI5931	Vis M6x16 UNI5931
32	6	P4.005.001	OR 3068 NBR	O-ring 3068 NBR	O-Ring 3068 NBR	OR 3068 NBR	Joint torique 3068 NBR
33	3	P4.005.003	OR 2125	O-ring 2125	O-Ring 2125	OR 2125	Joint torique 2125
34	3	P4.005.004	OR 2031	O-ring 2031	O-Ring 2031	OR 2031	Joint torique 2031
35	1	P4.005.012	OR 2112	O-ring 2112	O-Ring 2112	OR 2112	Joint torique 2112
36	2	P4.005.025	Guarnizione ORM 61.0X2.0	Gasket ORM 61.0X2.0	Dichtung ORM 61.0X2.0	Guarnición ORM 61.0X2.0	Garniture ORM 61.0X2.0
37	1	P4.005.026	Guarnizione ORM 126X3.0	Gasket ORM 126X3.0	Dichtung ORM 126X3.0	Guarnición ORM 126X3.0	Garniture ORM 126X3.0
38	1	P4.005.027	Guarnizione ORM 14.0X2.0	Gasket ORM 14.0X2.0	Dichtung ORM 14.0X2.0	Guarnición ORM 14.0X2.0	Garniture ORM 14.0X2.0
39	16	P4.008.001	Rondella M8 (UNI6592)	Washer M8 (UNI6592)	Unterlegscheibe M8 (UNI6592)	Arandela M8 (UNI6592)	Rondelle M8 (UNI6592)
40	6	P4.008.002	Rondella di sicurezza M6	Safety washer M6	Sicherheits Scheibe M6	Arandela de seguridad M6	Rondelle de sûreté M6
41	1	P4.008.007	Rondella Rame 1/4 Ø13x19x1.5	Copper washer 1/4 Ø13x19x1.5	Kupferunterlegsscheib e 1/4 Ø13x19x1.5	Arandela de cobre 1/4 Ø13x19x1.5	Rondelle cuivre 1/4 Ø13x19x1.5
42	1	P4.008.008	Rondella Rame 3\8 R17x22x1.5	Copper washer 3\8 R17x22x1.5	Kupferunterlegsscheib e 3\8 R17x22x1.5	Arandela de cobre 3\8 R17x22x1.5	Rondelle cuivre 3\8 R17x22x1.5
43	1	P4.008.009	Rondella Rame G1/2" 21.5x27x1.5	Copper washer G1/2" 21.5x27x1.5	Kupferunterlegsscheib e G1/2" 21.5x27x1.5	Arandela de cobre G1/2" 21.5x27x1.5	Rondelle cuivre G1/2" 21.5x27x1.5
44	3	P4.008.010	Rondella Rame ø11.2xø15x0.5	Copper washer ø11.2xø15x0.5	Kupferunterlegsscheib e ø11.2xø15x0.5	Arandela de cobre ø11.2xø15x0.5	Rondelle cuivre ø11.2xø15x0.5
45	3	P4.015.002	Anello 16x24x5 NBR	Ring 16x24x5 NBR	Ring 16x24x5 NBR	Anillo 16x24x5 NBR	Bague 16x24x5 NBR
46	1	P4.015.003	Anello ø25xø47x7 DIN3760	Ring ø25xø47x7 DIN3760	Ring ø25xø47x7 DIN3760	Anillo ø25xø47x7 DIN3760	Bague ø25xø47x7 DIN3760
47	2	P4.016.001	Cuscinetto 33205	Bearing 33205	Kugellager 33205	Rodamiento 33205	Roulement 33205
48	1	P4.021.001	Chiavetta 8x7x35	Key 8x7x35	Keil 8x7x35	Chaveta 8x7x35	Clavette 8x7x35
52	3	P4.100.001	Tenuta pistone anteriore ø20xø30x9	Front piston seal ø20xø30x9	Front Kolbendichtung ø20xø30x9	Junta del pistón delantero ø20xø30x9	Joint de piston avant ø20xø30x9
53	3	P4.100.002	Tenuta pistone posteriore ø20xø28x8	Piston seal back ø20xø28x8	Kolbendichtung zurück ø20xø28x8	Piston sellado posterior ø20xø28x8	Piston joint arrière ø20xø28x8

MM



MM



32 27

Code	Q.ta	ITALIANO	INGLESE	TEDESCO	SPAGNOLO	FRANCESE
P2.003.001	6	Valvola VAM 21Lit./min.	Valve VAM 21Lit./min.	Ventil VAM 21Lit./min.	Válvula VAM 21Lit./min.	Valve VAM 21Lit./min.
P4.005.002	6	OR 2.62x20.29	O-ring 2.62x20.29	O-Ring 2.62x20.29	OR 2.62x20.29	Joint torique 2.62x20.29
P4.005.001	6	OR 3068 NBR	O-ring 3068 NBR	O-Ring 3068 NBR	OR 3068 NBR	Joint torique 3068 NBR

P9.001.001
VALVOLA COMPLETA POMPA MM



33 52 53

Code	Q.ta	ITALIANO	INGLESE	TEDESCO	SPAGNOLO	FRANCESE
P4.005.003	3	OR 2125	O-ring 2125	O-Ring 2125	OR 2125	Joint torique 2125
P4.100.002	3	Tenuta pistone posteriore ø20xø28x8	Piston seal back ø20xø28x8	Kolbendichtung zurück ø20xø28x8	Piston sellado posterior ø20xø28x8	Piston joint arrière ø20xø28x8
P4.100.001	3	Tenuta pistone anteriore ø20xø30x9	Front piston seal ø20xø30x9	Front Kolbendichtung ø20xø30x9	Junta del piston delantero ø20xø30x9	Joint de piston avant ø20xø30x9

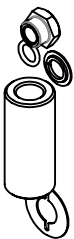
P9.003.001
GUARNIZIONE PISTONE ø20 POMPA MM



13 21
52 53
33

Code	Q.ta	ITALIANO	INGLESE	TEDESCO	SPAGNOLO	FRANCESE
P1.024.001	1	Diffusore ø20 "MM"	Diffusor ø20 "MM"	Diffusor ø20 "MM"	Difusor ø20 "MM"	Diffuseur ø20 "MM"
P1.070.001	1	Pressore "U" ø20 "MM"	Pressure Ring "U" ø20 "MM"	Bague de pression "U" ø20 "MM"	Anillo de presión "U" ø20 "MM"	Bague de pression "U" ø20 "MM"
P4.005.003	1	OR 2125	O-ring 2125	O-Ring 2125	OR 2125	Joint torique 2125
P4.100.001	1	Tenuta pistone anteriore ø20xø30x9	Front piston seal ø20xø30x9	Front Kolbendichtung ø20xø30x9	Junta del piston delantero ø20xø30x9	Joint de piston avant ø20xø30x9
P4.100.002	1	Tenuta pistone posteriore ø20xø28x8	Piston seal back ø20xø28x8	Kolbendichtung zurück ø20xø28x8	Piston sellado posterior ø20xø28x8	Piston joint arrière ø20xø28x8

P9.003.002
GUARNIZIONE PISTONE ø20 POMPA MM PACCO COMPLETO



3 14
44 22
15 34

Code	Q.ta	ITALIANO	INGLESE	TEDESCO	SPAGNOLO	FRANCESE
P1.003.001	1	Rondella Rame ø23.5xø11.2x0.5	Copper washer ø23.5xø11.2x0.5	Kupferunterlegsscheibe ø23.5xø11.2x0.5	Arandela de cobre ø23.5xø11.2x0.5	Rondelle cuivre ø23.5xø11.2x0.5
P1.027.001	1	Anello 11x8.3x1.3	Ring 11x8.3x1.3	Ring 11x8.3x1.3	Anillo 11x8.3x1.3	Bague 11x8.3x1.3
P1.035.001	1	Dado M8x1	Nut M8x1	Mutter M8x1	Dado M8x1	Ecrou M8x1
P1.071.001	1	Pistone ø20	Piston ø20	Kolben ø20	Pistón ø20	Piston ø20
P4.005.004	1	OR 2031	O-ring 2031	O-Ring 2031	OR 2031	Joint torique 2031
P4.008.010	1	Rondella Rame ø11.2xø15x0.5	Copper washer ø11.2xø15x0.5	Kupferunterlegsscheibe ø11.2xø15x0.5	Arandela de cobre ø11.2xø15x0.5	Rondelle cuivre ø11.2xø15x0.5

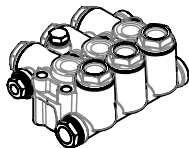
P9.004.001
PISTONE ø20 POMPA MM



45

Code	Q.ta	ITALIANO	INGLESE	TEDESCO	SPAGNOLO	FRANCESE
P4.015.002	3	Anello 16x24x5 NBR	Ring 16x24x5 NBR	Ring 16x24x5 NBR	Anillo 16x24x5 NBR	Bague 16x24x5 NBR

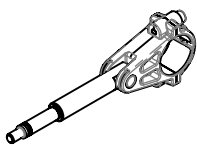
P9.039.001
ANELLI TENUTA OLIO ASTA POMPA MM-PM



6 7
16 42
43 50
51

Code	Q.ta	ITALIANO	INGLESE	TEDESCO	SPAGNOLO	FRANCESE
P1.012.003	1	Tappo G 3/8" H18	Cap G 3/8" H18	Deckel G 3/8" H18	Tapón G 3/8" H18	Bouchon G 3/8" H18
P1.012.004	1	Tappo G1/2"	Cap G1/2"	Deckel G1/2"	Tapón G1/2"	Bouchon G1/2"
P1.043.001	1	Testata pompa PMED	Pump head PMED	Pumpekopf PMED	Cabeza bomba PMED	Tete de pompe PMED
P4.008.008	1	Rondella Rame 3\8 R17x22x1.5	Copper washer 3\8 R17x22x1.5	Kupferunterlegsscheibe 3\8 R17x22x1.5	Arandela de cobre 3\8 R17x22x1.5	Rondelle cuivre 3\8 R17x22x1.5
P4.008.009	1	Rondella Rame G1/2" 21.5x27x1.5	Copper washer G1/2" 21.5x27x1.5	Kupferunterlegsscheibe G1/2" 21.5x27x1.5	Arandela de cobre G1/2" 21.5x27x1.5	Rondelle cuivre G1/2" 21.5x27x1.5
P4.043.001	1	Protezione ø20	Protection ø20	Scuhtz ø20	Protección ø20	Protection ø20
P4.043.002	1	Protezione 15.5	Protection 15.5	Scuhtz 15.5	Protección 15.5	Protection 15.5

P9.040.001
TESTATA COMPLETA PISTONE ø20 POMPA MM



4 11
26 14
34

Code	Q.ta	ITALIANO	INGLESE	TEDESCO	SPAGNOLO	FRANCESE
P1.010.001	1	Asta MM	Pole MM	Pfosten MM	Asta MM	Tige MM
P1.013.001	1	Spina cilindrica ø10x25	Cylindrical pin ø10x25	Zylinder Stiff ø10x25	Pasador cilindrico ø10x25	Goupille cylindrique ø10x25
P1.099.002	1	Biella MM	Connecting rod MM	Plenelstange MM	Biela MM	Bielle MM
P1.027.001	1	Anello 11x8.3x1.3	Ring 11x8.3x1.3	Ring 11x8.3x1.3	Anillo 11x8.3x1.3	Bague 11x8.3x1.3
P4.005.004	1	OR 2031	O-ring 2031	O-Ring 2031	OR 2031	Joint torique 2031

P2.150.001
PREMONTATO BIELLA - ASTA CON POMPA "MM"