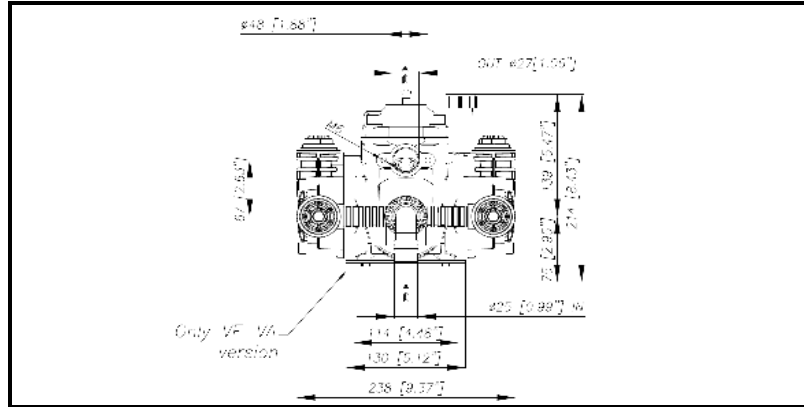
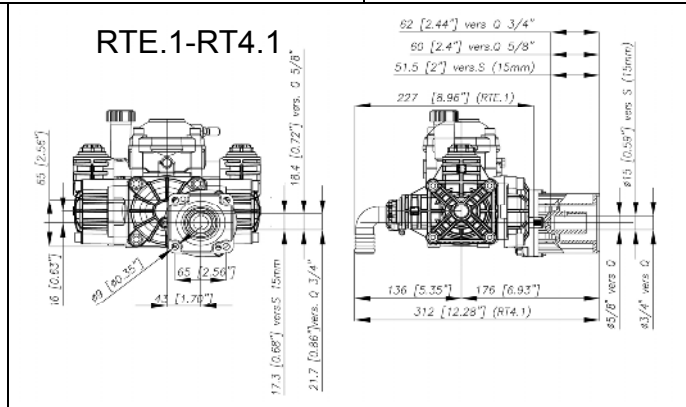
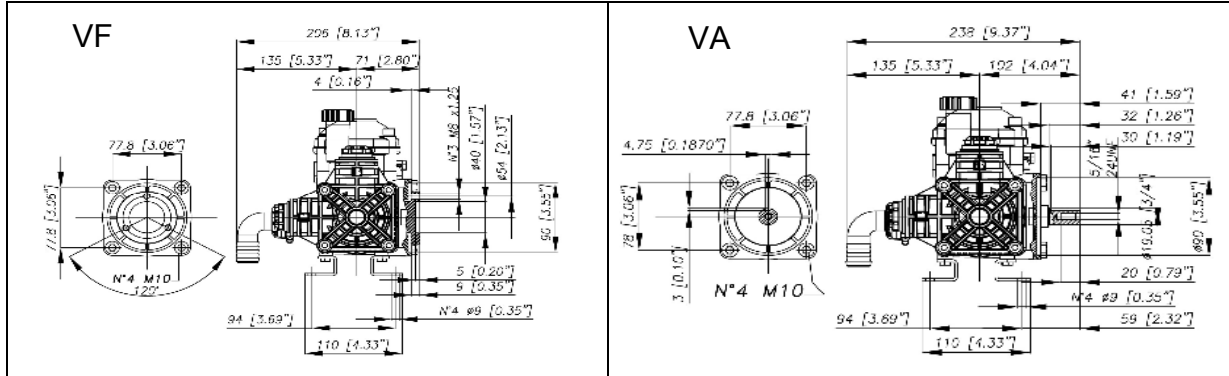


POLY 2020.1 HP VF-VA-RTE.1 - RT4.1

DIMENSIONI D'INGOMBRO - OVERALL DIMENSIONS



ALBERO POMPA - PUMP SHAFT



COPPIA DI SERRAGGIO - TORQUE CHART					
	CODICE - CODE	Q.TY	POS	N-m	Lbr.ft
	86.2900.00.2	8	22	10	7.4
	03.0021.97.3	2	25	5	3.7
	86.1605.00.2	1	12	5	3.7
	86.2945.00.2	2	38	10	7.4
	86.2951.00.2	2	10	10	7.4
	86.3300.00.2	4	44	40	29.5
	86.2301.00.2	2	47	10	7.4
	83.8012.00.2	1	52	10	7.4
	86.2260.00.2	2	55	10	7.4
	86.2108.00.2	2	58	10	7.4
	81.4545.00.2	3-5	45	10	7.4
	11.0152.32.2	4	6	10	7.4
	86.2059.00.2	4	65	10	7.4
	86.3185.00.2	4	70	40	29.5
86.3185.00.2	4	77	40	29.5	

Tolleranza di serraggio - Tolerance on torque value: 0/-10%

INFORMAZIONI UTILI USEFUL INFORMATION				
LUBRIFICANTE - LUBRICANT:				
POMPA - PUMP: OLIO MOTORE O SEMIDRAULICO SAE 30 MOTOR OIL OR SEMI-HYDRAULIC OIL SAE 30				
PRESSIONE ACCUMULATORE ACCUMULATOR PRESSURE				
PRESSIONE DI LAVORO - OPERATING PRESSURE	2 + 5	5 + 10	10 + 20	20 + 50
ACCUMULATORE ACCUMULATOR	2	2 + 5	5 + 7	6 + 8

KIT MEMBRANE - DIAPHRAGMS KIT

KIT	BUNA - N				VITON					PRE-SET DESMOPAN					PRE-SET DURAMAX				
	1	13	16	14	1	13	16	3	5	1	13	16	3	5	1	13	16	3	5
POSIZIONE ESPLOSO POSITION NUMBER	94.9871.97.3				94.9943.97.3					94.9918.97.3					94.9918.97.3DS				
QUANTITA' NEL KIT QUANTITIES INCLUDED	2	1	4	4	2	1	4	4	4	2	1	4	4	4	2	1	4	4	4

KIT POMPA/KIT VALVOLE - PUMP KIT/VALVES KIT

KIT	KIT POMPA PUMP KIT						KIT VALVOLE VALVE KIT			
	10	15	6	4	22	30	3	4	5	
POSIZIONE ESPLOSO POSITION NUMBER	94.9942.97.3						94.9944.97.3			
QUANTITA' NEL KIT QUANTITIES INCLUDED	2	4	2	2	1	1	4	4	2	4





1 94.0042.00.2DS PRE-SET DURAMAX PISTON DIAPHRAGM 2

41 81.2522.00.2 BALL BEARING 1
42 94.0383.09.2

50 80.6436.0

14 94.0316.32.2 LOWER DAMPER BODY (FOR PBP) 1

2

1

25 03.0021.97.3
26 94.0007.01.2

66 80.6436.00.2 TAB 4,75X5X30 4
1
1

70 86.3185.00.2 SCREW M10X16 UNI5739 4