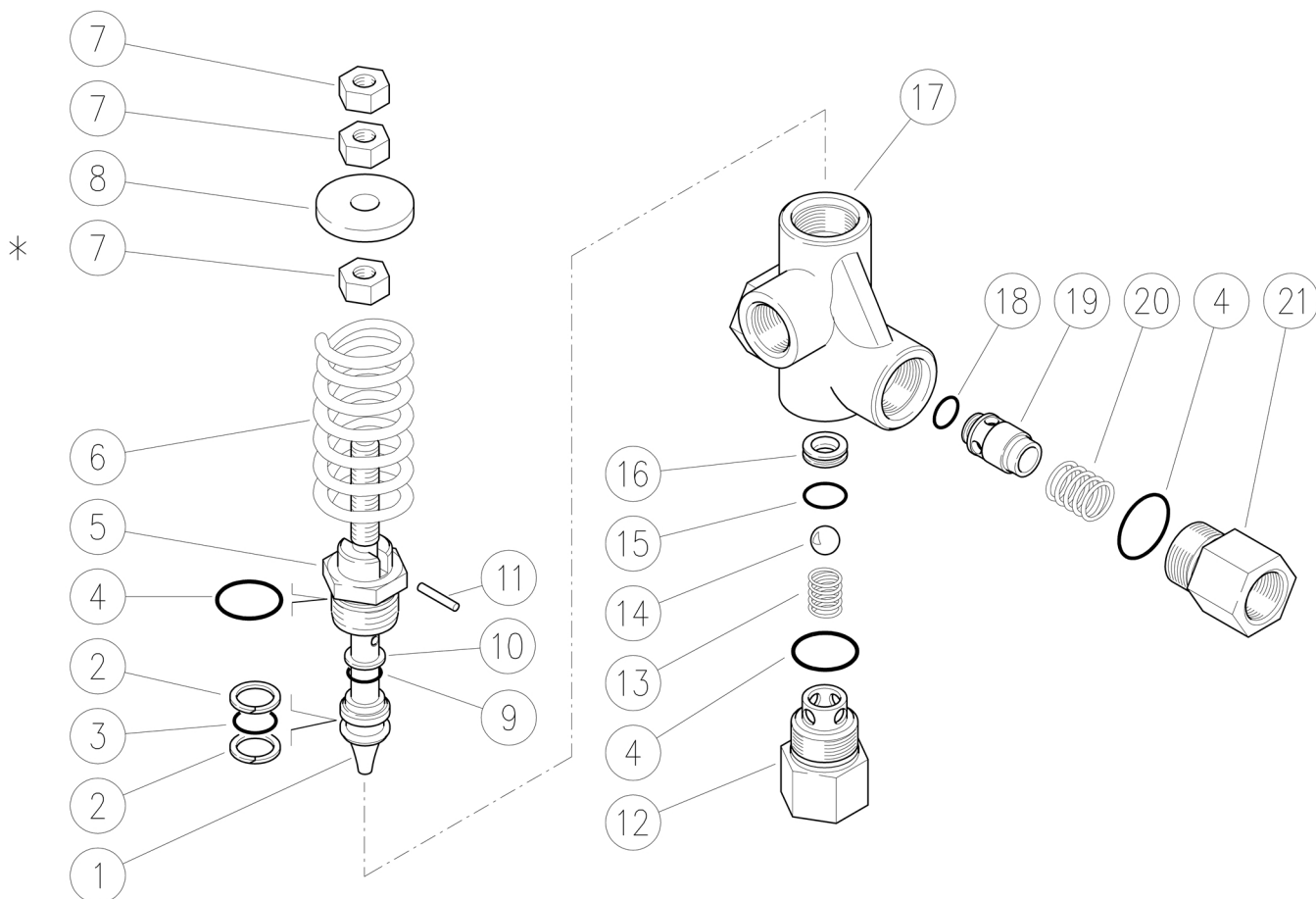


60.0450.00 VB80/150 unload. 1/2F Bsp Ai316
 60.0450.05 VB80/150 unload. 1/2F Npt Ai316
 60.0450.60 VB80/280 unload. 1/2F Bsp Ai316

60.0458.15 VB 80A/150 unl. 1/2Bsp Ai316 white spring -
 60.0458.28 VB 80A/280 unl. 1/2Bsp Ai316 blue spring -



K1K2K3K4

1	60.0432.60RPiston, M10 aisi316 Sst.	1				3
2	10.4014.00RBack-up ring, opn. 18x13,5x1,2 mm	2	•	•		10
3	10.3178.10RO-ring, 2,62x13,1 mm Vi 70	1	•	•		10
4	10.3072.10RO-ring, 1,78x20,35 mm Vi 70	3	•	•		10
5	60.0404.60RPiston holder, aisi316 Sst.	1				3
6	60.0412.61RSpring, 7,5x35x70 mm blue (1,2)	1				10
6	60.0411.61RSpring, 6,5x33x70 mm white (3,4,5)	1				3
7	11.4627.50RHex. nut, M10, Sst.	3				10
8	60.0406.31RSpring holding washer, brass	1				10
9	10.3174.10RO-ring, 2,62x9,93 mm Vi 70	1	•	•		10
10	10.4015.00RBack-up ring, 10x14,5x1,2 mm	1	•	•		10
11	15.1032.00RRoll pin, 3x18 mm Sst.	1				10
12	60.0405.60RSuction coupl., 1/2F Bsp aisi316 Sst.	1				3

K1K2K3K4

12	60.0438.60RSst Ai 316 inlet fitting 1/2 Npt (4)	1				1
13	60.0410.60RSpring, 1,6x11,5x20 mm aisi316 Sst.	1				5
14	14.7461.01RBall, 13/32" Sst. ai.316	1	•			10
15	10.3060.10RO-ring, 1,78x12,42 mm Vi 70	1	•	•		10
16	60.0408.60RSeat, 8,5x15,9x4,5 mm aisi316 Sst.	1	•			3
17	60.0431.60RHousing -VB80, 1/2F Bsp aisi316 Sst.	1				1
17	60.0436.60RValve housing VB80 Npt Ai306 (4)	1				1
18	10.3292.10RO-ring, 4x8 mm Vi 70	1	•	•		10
19	60.0403.60RShutter pin, aisi316 Sst.	1				3
20	60.0409.60RSpring, 0,8x15,4x13 mm aisi316 Sst.	1				5
21	60.0402.60RShutter coupl., 1/2F Bsp aisi316 Sst.	1				3
21	60.0437.60RSst Ai.316 outlet connect.1/2 Npt (4)	1				5

K1K2K3K4

K1	60.0445.24 Repair kit -VB80, aisi316 Sst. 9x1pcs.	1
K2	60.0446.24 Seals kit -VB80+O-ring, FKM 7x1pcs.	1

(1) 60.0450.60 (2) 60.0458.28 (3) 60.0450.00 (4) 60.0450.05 (5) 60.0458.15