



I
GB
F

ISTRUZIONI D'USO
INSTRUCTIONS FOR USE
MODE D'EMPLOI

D
E
P

BEDIENUNGSANLEITUNG
INSTRUCCIONES DE USO
INSTRUÇÕES DE USO

Questo manuale deve essere letto e compreso in accordo al libretto generico "Istruzioni d'uso e manutenzione".
This manual must be read and followed in accordance with the generic "Instructions for Use and Maintenance" booklet.

Ce manuel doit être lu et compris en accord avec la notice générale "Mode d'emploi et d'entretien".

Dieses Handbuch ist in Verbindung mit dem allgemeinen Handbuch "Gebrauchs- und Wartungsanleitung" zu lesen und zu verstehen.

Este manual debe leerse y comprenderse de acuerdo con el manual general "Instrucciones de uso y mantenimiento"

Este manual deve ser lido e interpretado de acordo com o livro genérico "Instruções de uso e manutenção"




59

S E R I E S

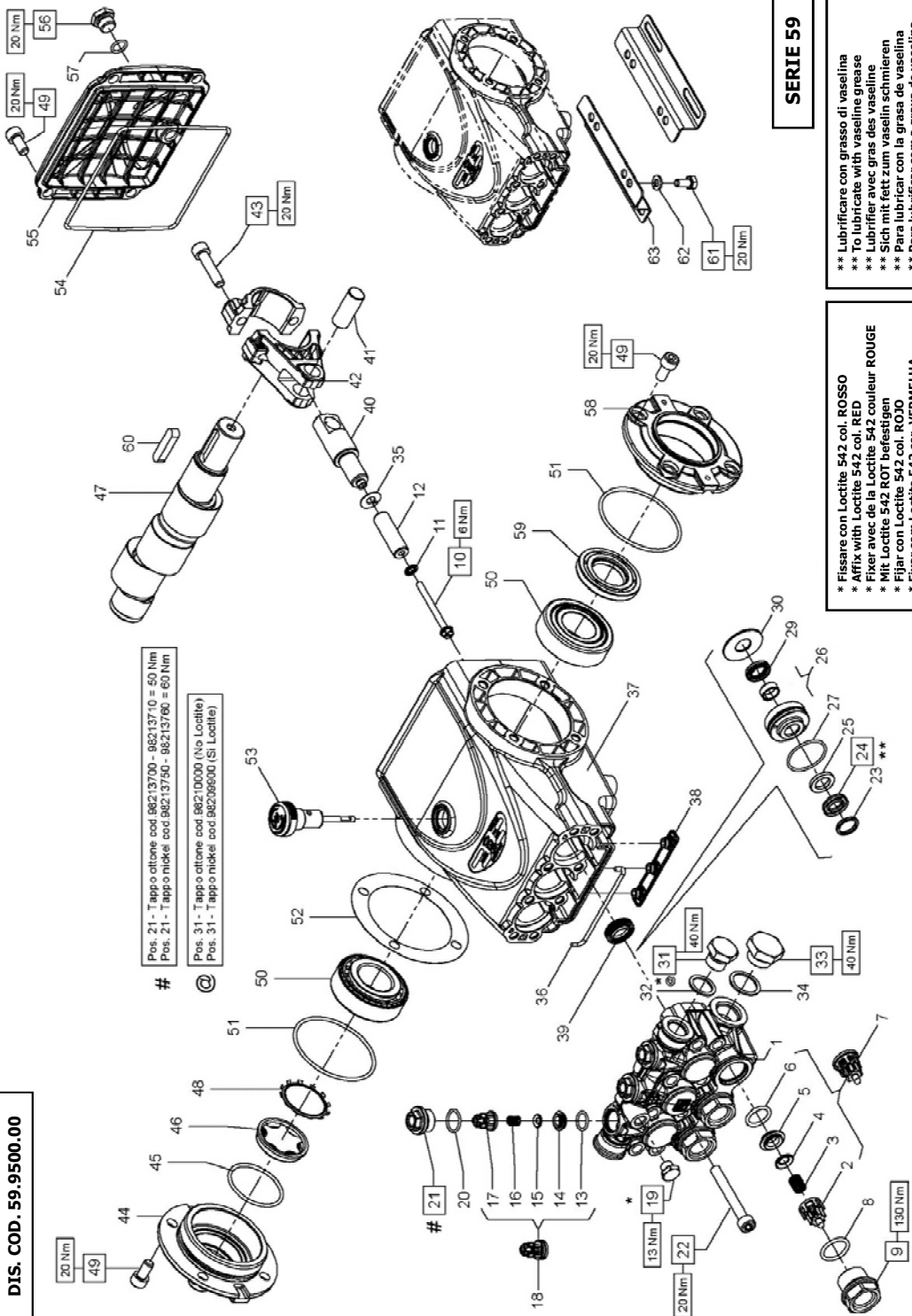
Modello Model Modèle Modell Modelo	Portata Flow rate Débit Förderstrom Caudal Fluxo		Pressione Pressure Pression Druck Presión Pressão			g/m rpm t/m upm r/m r/m	Potenza Power Puissance Leistung Potencia Poder		Peso Weight Poids Gewicht Peso Peso		
	L/min	gpm	bar	MPa	psi		Hp	KW	Kg	Ibs	
E3A1713	13.0	3.43	170	17	2465	1000	5.7	4.19	9.5	21	0.65
E3A1515	14.5	3.83	150	15	2175	1000	5.6	4.12	9.5	21	0.65
E3A2113	13.0	3.43	210	21	3045	1000	7.1	5.22	9.5	21	0.65
E3A2115	14.5	3.83	210	21	3045	1000	7.9	5.81	9.5	21	0.65
E3B1911	11	2.91	190	19	2755	1450	5.4	3.97	9.5	21	0.65
E3B1713	13	3.43	170	17	2465	1450	5.7	4.19	9.5	21	0.65
E3B1515	15	3.96	150	15	2175	1450	5.8	4.26	9.5	21	0.65
E3B1218	18	4.76	120	12	1750	1450	5.6	4.12	9.5	21	0.65
E3B1021	21	5.55	100	10	1450	1450	5.5	4.04	9.5	21	0.65
E3B2511	11	2.91	250	25	3625	1450	7.1	5.22	9.5	21	0.65
E3B2513	13	3.43	250	25	3625	1450	8.4	6.18	9.5	21	0.65
E3B2515	15	3.96	250	25	3625	1450	9.7	7.13	9.5	21	0.65
E3B2118	18	4.76	210	21	3045	1450	9.8	7.21	9.5	21	0.65
E3B2121	21	5.55	210	21	3045	1450	11.5	8.46	9.5	21	0.65



59**S
E
R
I
E
S**

Modello Model Modèle Modell Modelo Modelo	Portata Flow rate Débit Förderstrom Caudal Fluxo		Pressione Pressure Pression Druck Presión Pressão			g/m rpm t/m upm r/m r/m	Potenza Power Puissance Leistung Potencia Poder		Peso Weight Poids Gewicht Peso Peso		
	L/min	gpm	bar	MPa	psi		Hp	kW	Kg	Ibs	
E3C1713	13	3.43	170	17	2465	1750	5.7	4.19	9.5	21	0.65
E3C1515	15	3.96	150	15	2175	1750	5.8	4.26	9.5	21	0.65
E3C1218	18	4.76	120	12	1750	1750	5.6	4.12	9.5	21	0.65
E3C1021	21	5.55	100	10	1450	1750	5.5	4.04	9.5	21	0.65
E3C2513	13	3.43	250	25	3625	1750	8.4	6.18	9.5	21	0.65
E3C2515	15	3.96	250	25	3625	1750	9.7	7.13	9.5	21	0.65
E3C2518	18	4.76	250	25	3625	1750	11.7	8.60	9.5	21	0.65
E3C2521	21	5.55	250	25	3625	1750	13.6	10.00	9.5	21	0.65
E3E2813	13	3.43	275	27.5	4000	3400	9.3	6.84	9.5	21	0.65
E3E2815	15	3.96	275	27.5	4000	3400	10.7	7.87	9.5	21	0.65
E3E2517	17	4.49	250	25	3625	3400	11.0	8.09	9.5	21	0.65
E3E2520	20	5.28	250	25	3625	3400	13.0	9.56	9.5	21	0.65

DIS. COD. 59.9500.00



Pos. 21 - Tappo ottone cod. 98213700 - 98213710 = 50 Nm
 Pos. 21 - Tappo nickel cod. 98213750 - 98213760 = 60 Nm

@ Pos. 31 - Tappo ottone cod. 98210000 (No Loctite)
 Pos. 31 - Tappo nickel cod. 98209600 (Si Loctite)

SERIE 59

** Lubrificare con grasso di vasellina
 ** To lubricate with vaseline grease
 ** Lubrifier avec gras des vaselline
 ** Sich mit fett zum vasellin schmieren
 ** Para lubricar con la grasa de vasellina
 ** Para lubricar com a graxa de vasellina

* Fissare con Loctite 542 col. ROSSO
 * Affix with Loctite 542 col. RED
 * Fixer avec de la Loctite 542 couleur ROUGE
 * Mit Loctite 542 ROT befestigen
 * Fijar con Loctite 542 col. ROJO
 * Fixar com Loctite 542 cor. VERMELHA

E3B1911 - E3C1713 - E3C1515 - E3C1218 E3C1021 - E3B1515 - E3B1713 - E3B1021 E3A1515 - E3B1218 - E3A1713	
KIT Nr.	KIT 269
Posizioni include Positions included	2 - 3 - 4 5 - 6 - 13 14 - 15 - 16 17 - (7) - (18)
Nr. Pcs.	3

KIT RICAMBI - SPARE KITS		
KIT 269	KIT 270	KIT 271
23 - 24 25 - 26 27 - 29 30	23 - 24 25 - 26 27 - 29 30	23 - 24 25 - 26 27 - 29 30
3	1	1

PISTONE - PISTON D. 18				
KIT 284	KIT 289	KIT 285	KIT 290	KIT 286
23 - 24 25 - 27 29	23 - 24 25 - 26 27 - 29 30	23 - 24 25 - 26 27 - 29 30	23 - 24 25 - 26 27 - 29 30	23 - 24 25 - 26 27 - 29 30
3	1	3	1	3

PISTONE - PISTON D. 20				
KIT 284	KIT 289	KIT 285	KIT 290	KIT 286
23 - 24 25 - 27 29	23 - 24 25 - 26 27 - 29 30	23 - 24 25 - 26 27 - 29 30	23 - 24 25 - 26 27 - 29 30	23 - 24 25 - 26 27 - 29 30
3	1	3	1	3

PISTON D. 18		PISTON D. 20		PISTON D. 22	
E3B1911 E3C1713	E3C1515 E3C1218 E3C1021 E3B1515 E3B1713	E3B1021 E3A1515 E3B1218 E3A1713			

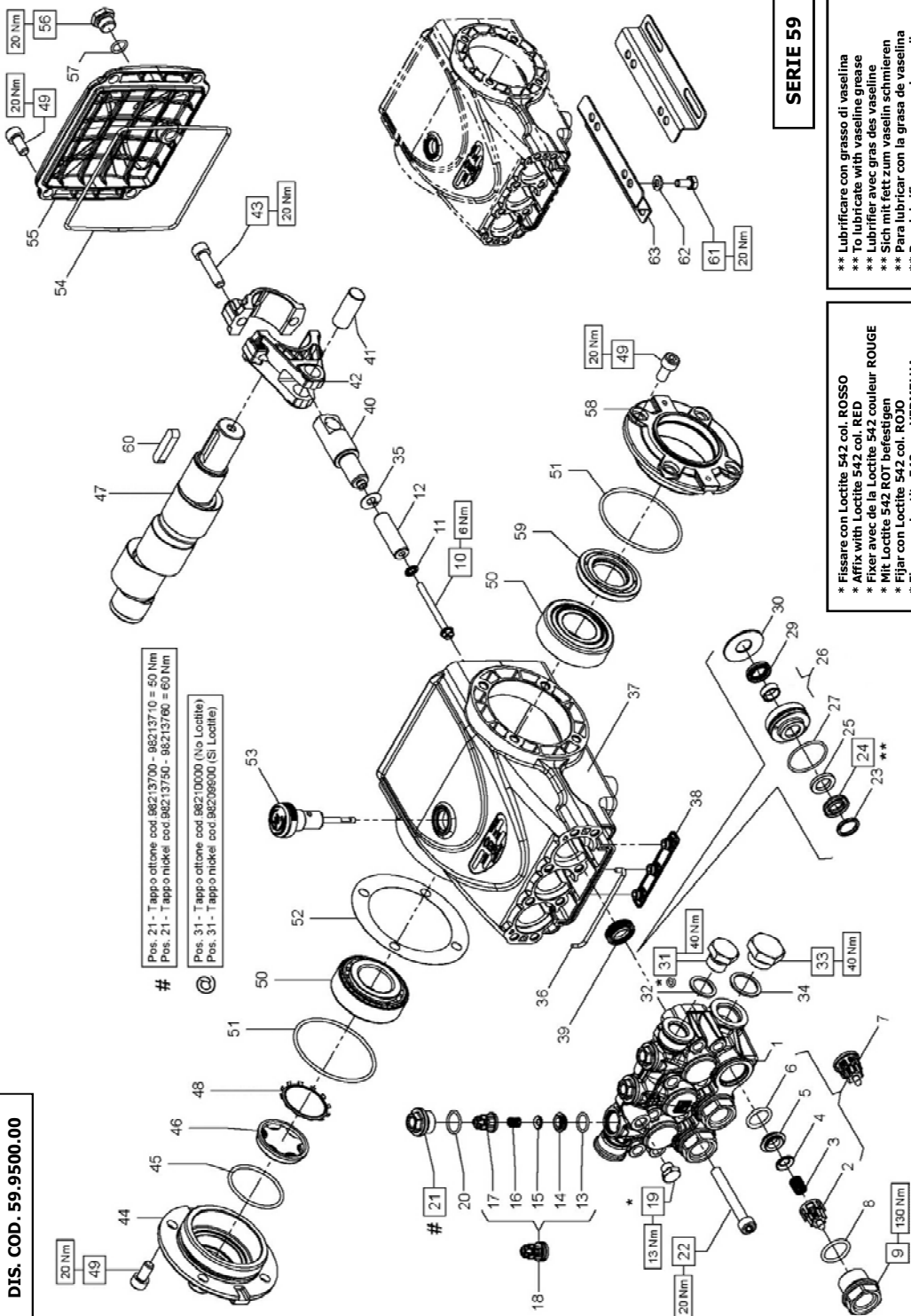
POS	COD.	DESCRIZIONE - DESCRIPTION - KIT	NR
22	99.3175.00	Vite M 8x60 UNI 5931	8
23	63.1011.51 66.1007.51 66.1009.51	Anello di testa D. 18 Anello di testa D. 20 Anello di testa D. 22	284-289 285-290 286-291
24	90.2653.50 90.2691.00 90.2716.00	An. ten. alt. D.18x28x6/3.7 HP 284-289 An. ten. alt. D.20x30x6/3.7 HP 285-290 An. ten. alt. D.22x32x6/3.7 HP 286-291	3
25	90.5111.50 90.5134.00 90.5148.50	An. antiest. D. 18,0x28,0x2,0 284-289 An. antiest. D. 20,0x30,0x2,0 285-290 An. antiest. D. 22,0x32,0x2,0 286-291	3
26	59.6060.01 59.6061.01 59.6062.01	Gr. supp. guarn./bussola D. 18 289 Gr. supp. guarn./bussola D. 20 290 Gr. supp. guarn./bussola D. 22 291	3
27	90.3612.00	OR D. 31.47x1.78 NBR 70 SH, 2125 284-285-286-289-290-291	3
29	90.2650.00 90.2690.00 90.2715.00	An. ten. alt. D.18x24x5,0 LP 284-289 An. ten. alt. D.20x28x6,5 LP 285-290 An. ten. alt. D.22x30x6,5 LP 286-291	3
30	59.2107.70 59.2108.70 59.2109.70	Anello per tenuta D. 18 289 Anello per tenuta D. 20 290 Anello per tenuta D. 22 291	3
31	98.2100.00	Tappo G 3/8"x13	1
32	96.7380.00	Rosetta D. 17.5x23,0x1.5	1
33	98.2176.00	Tappo G 1/2"x10	1
34	96.7514.00	Rosetta D. 21.5x27,0x1.5	1
35	96.6990.00	Rosetta D. 7.5x23,0x0.5	3
36	59.2110.82	Guarnizione spugna D. 3x103	1
37	59.0100.22	Carter pompa	1
38	58.2104.51	Protezione	1
39	90.1565.50	Anello rad. D. 15.0x24,0x5,0/7,0 271	3
40	59.050066	Guida pistone	3
41	97.7399.00	Spinnotto D. 14x34	3

POS	COD.	DESCRIZIONE - DESCRIPTION - KIT	NR
42	59.0300.01	Biella completa	3
43	99.3099.00	Vite serraggio biella	6
44	47.1512.22	Coperchio laterale lato spia	1
45	90.3877.00	OR D. 39.34x2,62 NBR 70 SH, 3156	1
46	70.2.118.01	Spia livello olio	1
47	59.0201.35 59.0202.35 59.0203.35	Alb. ecc. C.13 - E3B1021 E3C1021 E3A1515 Alb. ecc. C.12 - E3B1218 E3C1218 E3B1515 E3A1713 Alb. ecc. C.10 - E3C1515 E3B1911 E3B1713 E3C1713	1
48	90.0756.00	Anello d'arresto Z145	1
49	99.3039.00	Vite M 8x16 UNI 5931	12
50	91.8375.00	Cuscinetto a rulli	2
51	90.3913.00	OR D. 67.95x2,62 NBR 70 SH, 3628	2
52	97.5680.00 97.5978.00	Spessore D. 74.5x104x0.3 Spessore D. 74.5x104x0.1	1
53	98.2103.00	Asta livello olio G 3/8"x51	1
54	90.3922.00	OR D. 133.02x2,62 NBR 70 SH, 3525	1
55	59.1600.22	Coperchio posteriore carter	1
56	98.2042.50	Tappo G 1/4"x9 TE17 - Zinc.	1
57	90.3585.00	OR D. 10.82x1,78 NBR 70 SH, 2043	1
58	47.1510.22	Coperchio laterale lato PTO	1
59	90.1648.00	Anello rad. D. 30.0x55,0x7.0	1
60	91.4892.00	Linguetta 8,0x7,0x35,0	1
61	99.3037.00	Vite M 8x16 UNI 5739	4
62	96.7016.00	Rosetta D. 8.4x14,4x2.0	4
63	50.2000.74	Piedino pompa	2

POS	COD.	DESCRIZIONE - DESCRIPTION - KIT	NR
22	99.3175.00	Vite M 8x60 UNI 5931	8
23	63.1011.51 66.1007.51 66.1009.51	Anello di testa D. 18 Anello di testa D. 20 Anello di testa D. 22	284-289 285-290 286-291
24	90.2653.50 90.2691.00 90.2716.00	An. ten. alt. D.18x28x6/3.7 HP 284-289 An. ten. alt. D.20x30x6/3.7 HP 285-290 An. ten. alt. D.22x32x6/3.7 HP 286-291	3
25	90.5111.50 90.5134.00 90.5148.50	An. antiest. D. 18,0x28,0x2,0 284-289 An. antiest. D. 20,0x30,0x2,0 285-290 An. antiest. D. 22,0x32,0x2,0 286-291	3
26	59.6060.01 59.6061.01 59.6062.01	Gr. supp. guarn./bussola D. 18 289 Gr. supp. guarn./bussola D. 20 290 Gr. supp. guarn./bussola D. 22 291	3
27	90.3612.00	OR D. 31.47x1.78 NBR 70 SH, 2125 284-285-286-289-290-291	3
29	90.2650.00 90.2690.00 90.2715.00	An. ten. alt. D.18x24x5,0 LP 284-289 An. ten. alt. D.20x28x6,5 LP 285-290 An. ten. alt. D.22x30x6,5 LP 286-291	3
30	59.2107.70 59.2108.70 59.2109.70	Anello per tenuta D. 18 289 Anello per tenuta D. 20 290 Anello per tenuta D. 22 291	3
31	98.2100.00	Tappo G 3/8"x13	1
32	96.7380.00	Rosetta D. 17.5x23,0x1.5	1
33	98.2176.00	Tappo G 1/2"x10	1
34	96.7514.00	Rosetta D. 21.5x27,0x1.5	1
35	96.6990.00	Rosetta D. 7.5x23,0x0.5	3
36	59.2110.82	Guarnizione spugna D. 3x103	1
37	59.0100.22	Carter pompa	1
38	58.2104.51	Protezione	1
39	90.1565.50	Anello rad. D. 15.0x24,0x5,0/7,0 271	3
40	59.050066	Guida pistone	3
41	97.7399.00	Spinnotto D. 14x34	3

POS	COD.	DESCRIZIONE - DESCRIPTION - KIT	NR
1	59.1202.41 59.1203.41 59.1204.41	Testata pompa D. 18 Testata pompa D. 20 Testata pompa D. 22	1
2	36.2025.51	Guida valvola d'aspirazione	269
3	94.7376.00	Molla Dm. 9.4x14.8	269
4	36.2001.76	Valvola sferica	269
5	36.2003.66	Sede valvola d'aspirazione	269
6	90.3841.00	OR D.17.13x2,62 NBR 70 SH 3068	269
7	36.7115.01	Gr. valvola d'aspirazione	269
8	90.3847.00	OR D.20.24x2,62 NBR 70 SH 3081	270
9	98.2226.00	Tappo M 24.0x1.5x16.7	270
10	99.1690.00	Vite M 5x55	3
11	96.6905.00	Rosetta D. 5.0x11,5x0.4	3
12	58.0402.09 59.0400.09 59.0401.09	Pistone D. 18x42 Pistone D. 20x42 Pistone D. 22x42	3
13	90.3674.00	OR D.12.00x2.00 NBR 70 SH	269
14	36.2113.66	Sede valvola di mandata	269
15	36.2112.76	Valvola sferica	269
16	94.7333.00	Molla Dm. 6.2x10.4	269
17	36.2111.51	Guida valvola di mandata	269
18	36.7193.01	Gr. valvola di mandata	269
19	98.1966.00	Tappo G 1/8"x8	1
20	90.3593.00	OR D.15.60x1.78 NBR 70 SH 2062	270
21	98.2137.00	Tappo M18x1.5x10 D.23 - D. 12	270

DIS. COD. 59.9500.00



Pos. 21 - Tappo ottone cod. 98213700 - 98213710 = 50 Nm
 Pos. 21 - Tappo nickel cod. 98213750 - 98213760 = 60 Nm

@ Pos. 31 - Tappo ottone cod. 98210000 (No Loctite)
 Pos. 31 - Tappo nickel cod. 98209600 (Si Loctite)

21

20

17

16

15

14

13

13

18

*

153 Nm

19

20 Nm

22

9

130 Nm

6

2

3

4

5

6

7

1

2

3

4

5

6

7

8

9

10

11

12

13

14

15

16

17

18

19

20

21

22

23

24

25

26

27

28

29

30

31

32

33

34

35

36

37

38

39

40

41

42

43

44

45

46

47

48

49

50

51

52

53

54

55

56

57

58

59

60

61

62

63

64

65

66

67

68

69

70

71

72

73

SERIE 59

** Lubrificare con grasso di vasellina
 ** To lubricate with vaselline grease
 ** Lubrifier avec gras des vaselline
 ** Sich mit fett zum vasellin schmieren
 ** Para lubricar con la grasa de vasellina
 ** Para lubricar con a graxa de vasellina

* Fissare con Loctite 542 col. ROSSO
 * Affix with Loctite 542 col. RED
 * Fixer avec de la Loctite 542 couleur ROUGE
 * Mit Loctite 542 ROT befestigen
 * Fijar con Loctite 542 col. ROJO
 * Fixar com Loctite 542 cor. VERMELHA

E3A2113 - E3A2115 - E3B2511 - E3B2513
E3B2515 - E3B2118 - E3B2121 - E3C2513
E3C2515 - E3C2518 - E3C2521 - E3E2813
E3E2815 - E3E2517 - E3E2520

D. 13	D. 15	D. 18	D. 20
E3E2813	E3E2517	E3B2511	E3B2513 - E3B2515 - E3C2515
E3E2815	E3E2520	E3C2513	E3C2518 - E3C2521
D. 22			
E3A2113 - E3A2115 - E3B2118 - E3B2121			

POS	COD.	DESCRIZIONE - DESCRIPTION - KIT	NR
1	59.1210.41	Testata pompa D. 13 - NICKEL	269
	59.1211.41	Testata pompa D. 15 - NICKEL	3
	59.1212.41	Testata pompa D. 18 - NICKEL	269
	59.1213.41	Testata pompa D. 20 - NICKEL	269
	59.1214.41	Testata pompa D. 22 - NICKEL	269
2	36.2025.51	Guida valvola d'aspirazione	269
3	94.7376.00	Molla Dm. 9.4x14.8	269
4	36.2001.76	Valvola sferica	269
5	36.2003.66	Sede valvola d'aspirazione	269
6	90.3841.00	OR D. 17.13x2.62 NBR 70 SH 3068	269
7	36.7115.01	Gr. valvola d'aspirazione	269
8	90.3847.00	OR D.20.24x2.62 NBR 70 SH 3081	292
9	98.2225.00	Tappo M 24x1.5x16.7	292
10	99.1690.00	Vite M 5x55	3
11	96.6905.00	Rosetta D. 5.0x11.5x0.4	3
	58.0400.09	Pistone D. 13x42	3
	58.0401.09	Pistone D. 15x42	3
	58.0402.09	Pistone D. 18x42	3
	59.0400.09	Pistone D. 20x42	3
	59.0401.09	Pistone D. 22x42	3
12	90.3674.00	OR D.12.00x2.00 NBR 70 SH	269
13	36.2113.66	Sede valvola di mandata	269
14	36.2112.76	Valvola sferica	269
15	36.2112.76	Valvola sferica	269

KIT RICAMBI - SPARE KITS

KIT Nr.	KIT 269	KIT 292	KIT 271	PIST. D. 13			PIST. D. 15			PIST. D. 18			PIST. D. 20			PIST. D. 22
				KIT 282	KIT 287	KIT 283	KIT 288	KIT 284	KIT 289	KIT 285	KIT 290	KIT 286	KIT 291			
Posizioni incluse	2 - 3 - 4	8 - 9	39	23 - 24	23 - 24	23 - 24	23 - 24	23 - 24	23 - 24	23 - 24	23 - 24	23 - 24	23 - 24	23 - 24	23 - 24	
Positions included	5 - 6 - 13	20 - 21		25 - 26	25 - 26	25 - 26	25 - 26	25 - 26	25 - 26	25 - 26	25 - 26	25 - 26	25 - 26	25 - 26	25 - 26	
NR. Pcs.	17 - (7) - (18)	3	3	29	29	29	29	29	29	29	29	29	29	29	30	

POS	COD.	DESCRIZIONE - DESCRIPTION - KIT	NR
16	94.7333.00	Molla Dm. 6.2x10.4	269
17	36.2111.51	Guida valvola di mandata	269
18	36.7193.01	Gr. valvola di mandata	269
19	98.1967.00	Tappo G 1/8" x8	1
20	90.3593.00	OR D.15.60x1.78 NBR 70 SH 2062	292
21	98.2137.50	Tappo M18x1.5x10 D.23 - D.12	292
22	99.3175.00	Vite M 8x60 UNI 5931	8
	44.1002.51	Anello di testa D. 13	282-287
	63.1010.51	Anello di testa D. 15	283-288
23	63.1011.51	Anello di testa D. 18	284-289
	66.1007.51	Anello di testa D. 20	285-290
	66.1009.51	Anello di testa D. 22	286-291
	90.2602.00	An. ten.alt.D.13x21x4 HP	282-287
	90.2611.00	An. ten.alt.D.15x24x5.4/3.4 HP	283-288
24	90.2653.50	An. ten.alt.D.18x28x4/3.7 HP	284-289
	90.2691.00	An. ten.alt.D.20x30x6/3.7 HP	285-290
	90.2716.00	An. ten.alt.D.22x32x6/3.7 HP	286-291
	90.5076.00	Anello antiest. D. 13x21x4	282-287
	90.5089.90	Anello antiest. D. 15x24x2	283-288
25	90.5111.50	Anello antiest. D. 18x28x2	284-289
	90.5134.00	Anello antiest. D. 20x30x2	285-290
	90.5148.50	Anello antiest. D. 22x32x2	286-291
	59.6058.01	Gr. supp. guarn./bussola D. 13	287
	59.6059.01	Gr. supp. guarn./bussola D. 15	288
26	59.6060.01	Gr. supp. guarn./bussola D. 18	289
	59.6061.01	Gr. supp. guarn./bussola D. 20	290
	59.6062.01	Gr. supp. guarn./bussola D. 22	291
27	90.3612.00	OR D. 31.47x1.78 NBR 70 SH. 2125	3
	90.2601.00	An. ten. alt. D.13x20x5.0 LP	282-287
	90.2608.00	An. ten. alt. D.15x22x5.0 LP	283-288
29	90.2650.00	An. ten. alt. D.18x24x5.0 LP	284-289
	90.2690.00	An. ten. alt. D.20x28x6.5 LP	285-290
	90.2715.00	An. ten. alt. D.22x30x6.5 LP	286-291

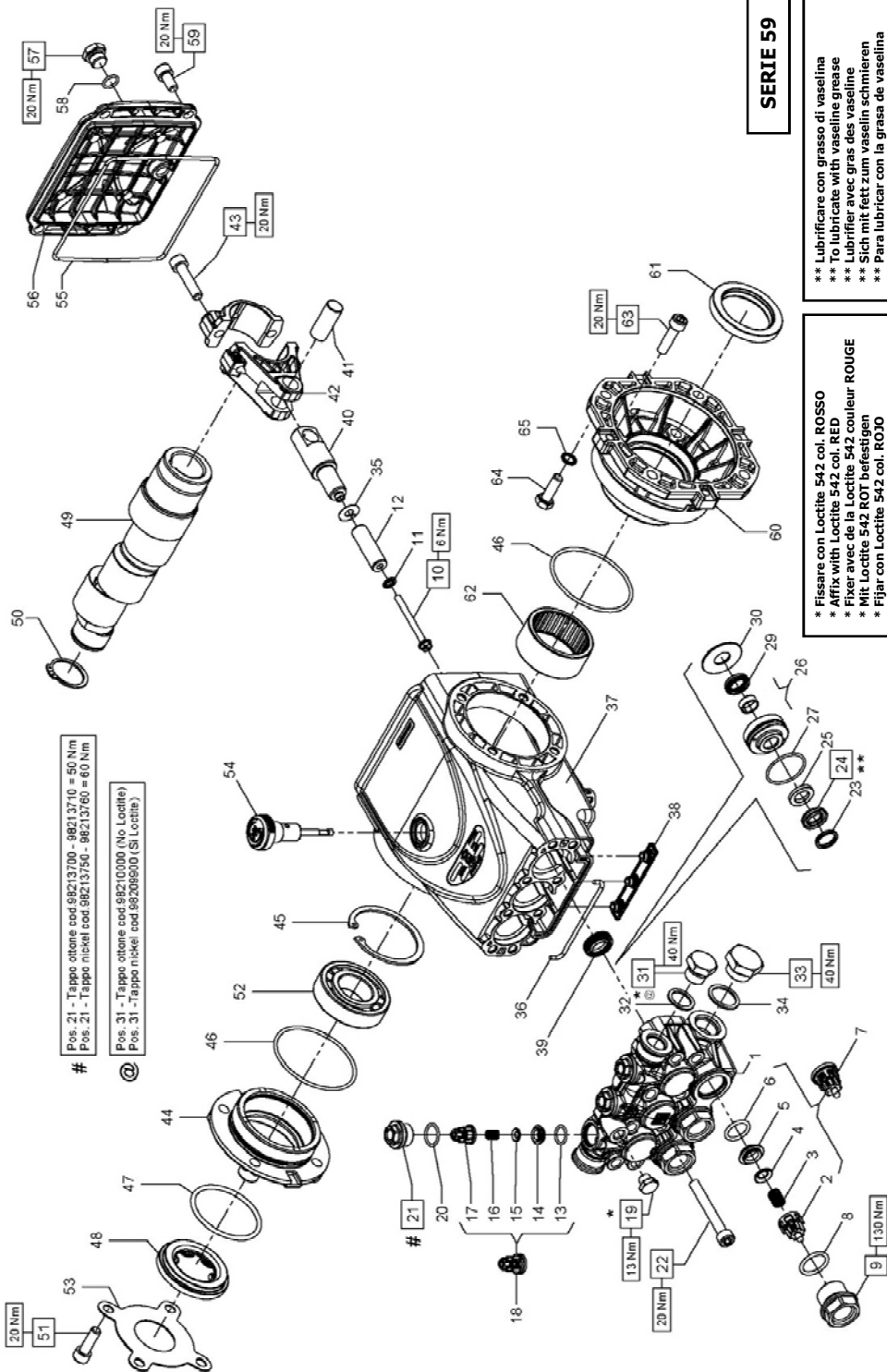
POS	COD.	DESCRIZIONE - DESCRIPTION - KIT	NR
30	59.2105.70	Anello per tenuta D. 13	287
	59.2106.70	Anello per tenuta D. 15	288
	59.2107.70	Anello per tenuta D. 18	289
	59.2108.70	Anello per tenuta D. 20	290
	59.2109.70	Anello per tenuta D. 22	291
31	98.2099.00	Tappo G 3/8" x13	1
32	96.7380.00	Rosetta D. 17.5x23.0x1.5	1
33	98.2179.00	Tappo G 1/2" x10	1
34	96.7514.00	Rosetta D. 21.5x27.0x1.5	1
35	96.6990.00	Rosetta D. 7.5x23.0x0.5	3
36	59.2110.82	Guarnizione spugna D. 3x103	1
37	59.0100.22	Carter pompa	1
38	58.2104.51	Protezione	1
39	90.1565.50	Anello rad. D. 15.0x24.0x5.0/7.0	271
40	59.0500.66	Guida pistone	3
41	97.7399.00	Spinotto D. 14x34	3
42	59.0300.01	Biella completa	3
43	99.3099.00	Vite serraggio biella	6
44	47.1512.22	Coperchio laterale lato spia	1
45	90.3877.00	OR D. 39.34x2.62 NBR 70 SH. 3156	1
46	70.2118.01	Spia livello olio	1
	59.0201.35	Alb. ecc. C.13 - E3A2115 E3B2121 E3C2521 E3E2815	
47	59.0202.35	Alb. ecc. C.12 - E3A2113 E3B2118 E3B2515 E3C2518 E3E2520	1
	59.0203.35	Alb. ecc. C.10 - E3B2511 E3B2513 E3C2513 E3E2515 E3E2813 E3E2517	
48	90.0756.00	Anello d'arresto Z145	1

**E3A2113 - E3A2115 - E3B2511 - E3B2513
E3B2515 - E3B2118 - E3B2121 - E3C2513
E3C2515 - E3C2518 - E3C2521 - E3E2813
E3E2815 - E3E2517 - E3E2520**

D. 13	D. 15	D. 18	D. 20
E3E2813 E3E2815	E3E2517 E3E2520	E3B2511 E3C2513	E3B2515 - E3B2518 - E3C2515 E3C2518 - E3C2521
D. 22			
E3A2113 - E3A2115 - E3B2118 - E3B2121			

POS	COD.	DESCRIZIONE - DESCRIPTION - KIT	NR
49	99.3039.00	Vite M 8x16 UNI 5931	12
50	91.8375.00	Cuscinetto a rulli	2
51	90.3913.00	OR D. 67.95x2.62 NBR 70 SH. 3628	2
52	97.5680.00 97.5978.00	Spessore D. 74.5x1.04x0.3 Spessore D. 74.5x1.04x0.1	1
53	98.2105.00	Asta livello olio G 3/8"x51	1
54	90.3922.00	OR D. 133.02x2.62 NBR 70 SH. 3525	1
55	59.1600.22	Coperchio posteriore carter	1
56	98.2042.50	Tappo G 1/4"x9 TE17 - Zinc.	1
57	90.3585.00	OR D. 10.82x1.78 NBR 70 SH. 2043	1
58	47.1510.22	Coperchio laterale lato PTO	1
59	90.1648.00	Anello rad. D. 30.0x55.0x7.0	1
60	91.4892.00	Linguetta 8.0x7.0x35.0	1
61	99.3037.00	Vite M 8x16 UNI 5739	4
62	96.7016.00	Rosetta D. 8.4x14.4x2.2	4
63	50.2000.74	Piedino pompa	2

KIT RICAMBI - SPARE KITS													
KIT Nr.	KIT 269	KIT 292	KIT 271	PIST. D. 13		PIST. D. 15		PIST. D. 18		PIST. D. 20		PIST. D. 22	
				KIT 282	KIT 287	KIT 283	KIT 288	KIT 284	KIT 289	KIT 285	KIT 290	KIT 286	KIT 291
Posizioni include	2 - 3 - 4 5 - 6 - 13	8 - 9 20 - 21	39	23 - 24 25 - 26 27 - 29 29	23 - 24 25 - 26 27 - 29 30	23 - 24 25 - 26 27 - 29 30	23 - 24 25 - 26 27 - 29 30	23 - 24 25 - 26 27 - 29 30	23 - 24 25 - 26 27 - 29 30	23 - 24 25 - 26 27 - 29 30	23 - 24 25 - 26 27 - 29 30	23 - 24 25 - 26 27 - 29 30	1
Nr. Pcs.	3	3	3	3	1	3	1	3	1	3	1	3	1



- # Pos. 21 - Tappo ottone cod.98213700 - 98213710 = 50 Nm
- @ Pos. 21 - Tappo nickel cod.98213750 - 98213760 = 60 Nm
- Pos. 31 - Tappo ottone cod.98210000 (No Loctite)
- Pos. 31 - Tappo nickel cod.98208500 (SI Loctite)

SERIE 59

** Lubrificare con grasso di vasellina
 ** To lubricate with vaselline grease
 ** Lubrifier avec gras des vaselline
 ** Sich mit fett zum vasellin schmieren
 ** Para lubricar con la grasa de vasellina
 ** Para lubrificar con a graxa de vasellina

* Fissare con Loctite 542 col. ROSSO
 * Affix with Loctite 542 col. RED
 * Fixer avec de la Loctite 542 couleur ROUGE
 * Mit Loctite 542 ROT befestigen
 * Fijar con Loctite 542 col. ROJO
 * Fixar com Loctite 542 cor. VERMELHA

E3B1021

KIT Nr.	KIT 269	KIT 270	KIT 271	KIT 286	KIT 291
Posizioni include Positions included	2 - 3 - 4 5 - 6 - 13 14 - 15 - 16 17 - (7) - (18)	8 - 9 20 - 21	39	23 - 24 25 - 27 29	23 - 24 25 - 26 27 - 29 30
Nr. Pcs.	3	3	3	3	1

KIT RICAMBI – SPARE KITS

POS	COD.	DESCRIZIONE – DESCRIPTION - KIT	NR
56	59.1600.22	Coperchio posteriore	1
57	98.2042.50	Tappo G1/4"X9 TE Zinc.	1
58	90.3585.00	OR D. 10.82x1.78 NBR 70SH 2043	1
59	99.3039.00	Vite M8x UNI 5931	4
60	10.0866.22	Flangia motore elettrico 112 B14	1
61	90.1690.00	Anello rad. D. 45.0x62.0x8.0	1
62	91.8585.00	Boccola a rullini	1
63	99.3084.00	Vite M8x30 UNI5931	4
64	99.3067.00	Vite M8x25 UNI 5739	4
65	96.7014.00	Rondella D. 8.4x13.0x0.7	4

POS	COD.	DESCRIZIONE – DESCRIPTION - KIT	NR
1	59.1204.41	Testata pompa D. 22	1
2	36.2025.51	Guida valvola d'aspirazione	269
3	94.7376.00	Molla Dm. 9.4x14.8	269
4	36.2001.76	Valvola sferica	269
5	36.2003.66	Sede valvola d'aspirazione	269
6	90.3841.00	OR D.17.13x2.62 NBR 70 SH 3068	269
7	36.7115.01	Gr. valvola d'aspirazione	269
8	90.3847.00	OR D.20.24x2.62 NBR 70 SH 3081	270
9	98.2226.00	Tappo M 24.0x1.5x16.7	270
10	99.1690.00	Vite M 5x55	3
11	96.6905.00	Rosetta D. 5.0x11.5x0.4	3
12	59.0401.09	Pistone D. 22x42	3
13	90.3674.00	OR D.12.00x2.00 NBR 70 SH	269
14	36.2113.66	Sede valvola di mandata	269
15	36.2112.76	Valvola sferica	269
16	94.7333.00	Molla Dm. 6.2x10.4	269
17	36.2111.51	Guida valvola di mandata	269
18	36.7193.01	Gr. valvola di mandata	269
19	98.1966.00	Tappo G 1/8"x8	269
20	90.3593.00	OR D.15.60x1.78 NBR 70 SH 2062	270
21	98.2137.00	Tappo M18x1.5x10 D.23-D.12	270
22	99.3175.00	Vite M 8x60 UNI 5931	8
23	63.1009.51	Anello di testa D. 22	286-291
24	90.2716.00	An. ten. alt. D.22x32x6/3.7 HP 286-291	3
25	90.5148.50	An. antitest. D. 22.0x32.0x2.0	286-291
26	59.6062.01	Gr. supp. guarn./bussola D. 22	291
27	90.3612.00	OR D. 31.47x1.78 NBR 70 SH. 2125	286-291
29	90.2715.00	An. ten. alt. D.22x30x6.5 LP	286-291
30	59.2109.70	Anello per tenuta D. 22	291
31	98.2100.00	Tappo G 3/8"x13	1
32	96.7380.00	Rosetta D. 17.5x23.0x1.5	1
33	98.2176.00	Tappo G 1/2"x10	1
34	96.7514.00	Rosetta D. 21.5x27.0x1.5	1
35	96.6990.00	Rosetta D. 7.5x23.0x0.5	3
36	59.2110.82	Guarnizione spugna D. 3x103	1
37	59.0100.22	Carter pompa	1
38	58.2104.51	Protezione	1
39	90.1565.50	Anello rad. D. 15.0x24.0x5.0/7.0	271
40	59.0500.66	Guida pistone	3
41	97.7399.00	Spinotto D. 14x34	3
42	59.0300.01	Biella completa	3
43	99.3099.00	Vite serraggio biella	6
44	59.1500.22	Coperchio laterale lato spia	1
45	90.0850.00	Anello d'arresto J62	1
46	90.3913.00	OR D. 67.95x2.62 NBR 70SH 3268	2
47	90.4097.00	OR D. 55.56x3.53 NBR 70SH 159	1
48	44.2118.01	Distanziale con indicatore	1
49	59.0211.65	Alb. ecc. C.10	1
	59.0210.65	Alb. ecc. C.12	
	59.0209.65	Alb. ecc. C.13 – E3B1021	
50	90.0667.00	Anello d'arresto A30	1
51	99.3069.00	Vite M8x25 UNI5931	4
52	91.8376.00	Cuscinetto a rulli	1
53	66.1502.74	Coperchio carter	1
54	98.2105.00	Asta livello olio G 3/8"x51	1
55	90.3922.00	OR D.133.02x2.62 NBR 70SH 3525	1

E3E2813 – E3E2815 E3E2517 – E3E2520	
PISTON D. 13	E3E2517 - E3E2520

PISTON D. 15	
E3E2517 - E3E2520	

POS	COD.	DESCRIZIONE - DESCRIPTION - KIT	NR
1	59.1210.41 59.1211.41	Testata pompa D. 13 - NICKEL Testata pompa D. 15 - NICKEL	1
2	36.2025.51	Guida valvola d'aspirazione	269
3	94.7376.00	Molla Dm. 9.4x14.8	269
4	36.2001.76	Valvola sferica	269
5	36.2003.66	Sede valvola d'aspirazione	269
6	90.3841.00	OR D. 17.13x2.62 NBR 70 SH 3068	269
7	36.7115.01	Gr. valvola d'aspirazione	269
8	90.3847.00	OR D.20.24x2.62 NBR 70 SH 3081	292
9	98.2225.00	Tappo M24x1.5x16.7 - NICKEL	292
10	99.1690.00	Vite M 5x55	3
11	96.6905.00	Rosetta D. 5.0x11.5x0.4	3
12	58.0400.09 58.0401.09	Pistone D. 13x42 Pistone D. 15x42	3
13	90.3674.00	OR D.12.00x2.00 NBR 70 SH	269
14	36.2113.66	Sede valvola di mandata	269
15	36.2112.76	Valvola sferica	269
16	94.7333.00	Molla Dm. 6.2x10.4	269
17	36.2111.51	Guida valvola di mandata	269
18	36.7193.01	Gr. valvola di mandata	269
19	98.1967.00	Tappo G 1/8"x8	1
20	90.3593.00	OR D.15.60x1.78 NBR 70 SH 2062	292
21	98.2137.50	Tappo M18x1.5x10 D.23 - D. 12	292
22	99.3175.00	Vite M 8x60 UNI 5931	8
23	44.1002.51 63.1010.51	Anello di testa D. 13 Anello di testa D. 15	282-287 283-288

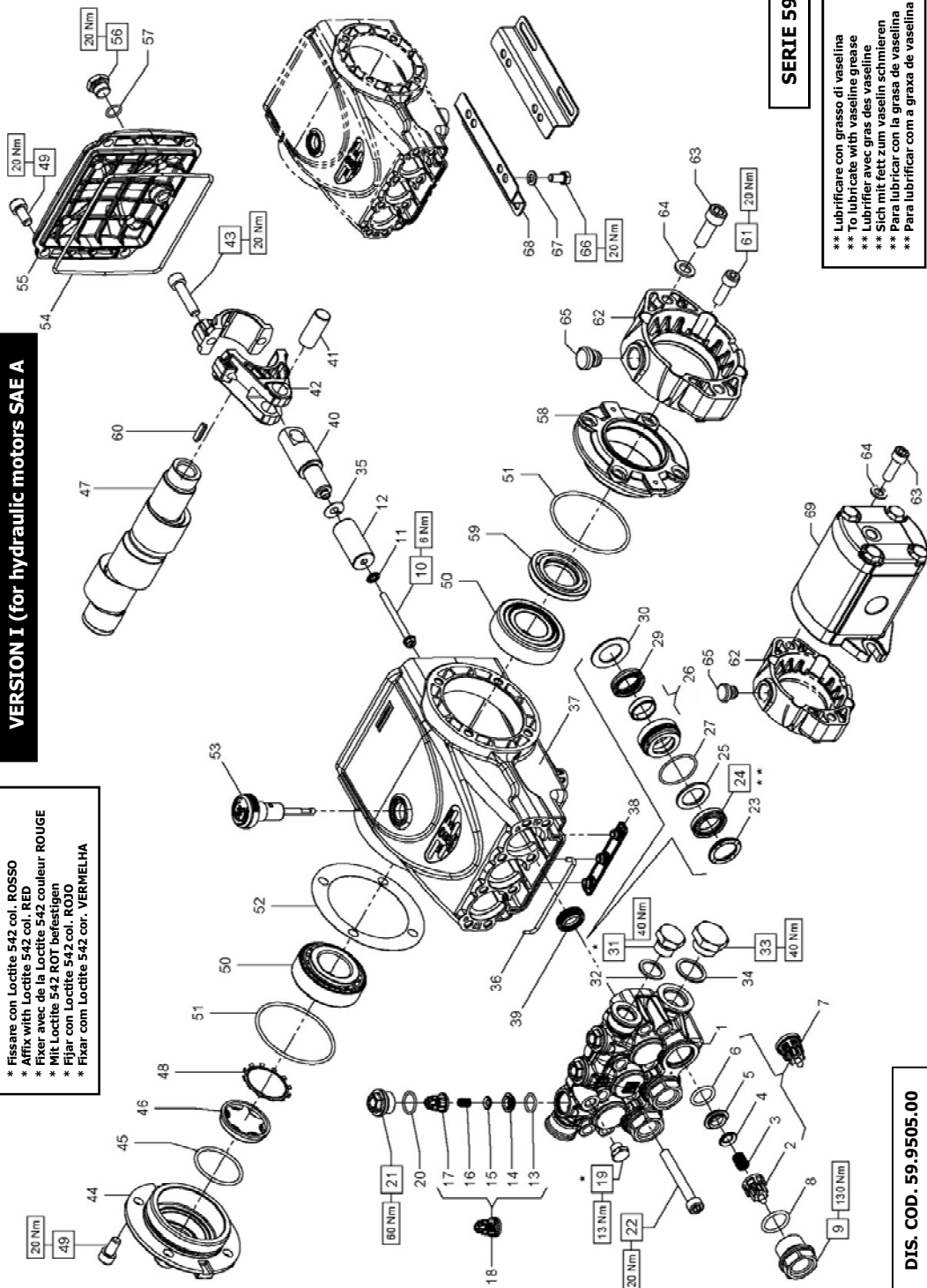
KIT RICAMBI - SPARE KITS			
KIT Nr.	KIT 269	KIT 292	KIT 271
Posizioni included	2 - 3 - 4 5 - 6 - 13 14 - 15 - 16 17 - (7) - (18)	8 - 9 20 - 21	39
Nr. Pcs.	3	3	3
PISTONE - PISTON D. 13			
KIT 282	KIT 287	KIT 283	KIT 288
23 - 24 25 - 27 29	23 - 24 25 - 26 27 - 29 30	23 - 24 25 - 27 29	23 - 24 25 - 26 27 - 29 30
3	1	3	1

POS	COD.	DESCRIZIONE - DESCRIPTION - KIT	NR
47	90.4097.00	OR D. 55.56x3.53 NBR 70 SH. 159	1
48	44.2118.01	Distanziale con indicatore	1
49	59.0204.65 59.0205.65 59.0206.65	Alb. ecc. C.13 - E3E2815 Alb. ecc. C.12 - E3E2520 Alb. ecc. C.10 - E3E2517 E3E2813	1
50	90.066700	Anello d'arresto A30	1
51	99.3069.00	Vite M 8x25 UNI 5931	4
52	91.8376.00	Cuscinetto a rulli	1
53	66.1502.74	Coperchio anteriore carter	1
54	98.2105.00	Asta livello olio G 3/8"x51	1
55	90.3922.00	OR D. 133.02x2362 NBR 70 SH. 3525	1
56	99.1600.22	Coperchio posteriore carter	1
57	98.2042.50	Tappo G 1/4"x9 TE17 - Zinc.	1
58	90.3585.00	OR D. 10.82x1.78 NBR 70 SH. 2043	1
59	99.3039.00	Vite M 8x16 UNI 5931	4
60	10.0801.22	Flangia motore a scoppio C1"	1
61	99.1790.00	Vite M 6x6 UNI 5929	1
62	90.1690.00	Anello rad. D. 45.0x62.0x8.0	1
63	91.8585.00	Boccola a rullini D. 50x58x25	1
64	99.3084.00	Vite M 8x30 UNI 5931	4
65	99.3346.00	Vite 3/8"x16x1-1/4"	4
66	96.7104.00	Rosetta D. 10.5x16.0x1.0	4

POS	COD.	DESCRIZIONE - DESCRIPTION - KIT	NR
24	90.2602.00 90.2611.00	An. ten.alt. D.13x21x4.0 HP An. ten.alt. D.15x24x5/3.4 HP	282-287 283-288
25	90.5076.50 90.5089.90	Anello antiest. D. 13x21x4 Anello antiest. D. 15x24x2	282-287 283-288
26	59.6058.01 59.6059.01	Gr. supp. guarn./bussola D. 13 Gr. supp. guarn./bussola D. 15	287 288
27	90.3612.00	OR D. 31.47x1.78 NBR 70 SH. 2125	282-283-287-288
29	90.2601.00 90.2608.00	An. ten. alt. D. 13x20x5 LP An. ten. alt. D. 15x22x5 LP	282-287 283-288
30	59.2105.70 59.2106.70	Anello per tenuta D. 13 Anello per tenuta D. 15	287 288
31	98.2099.00	Tappo G 3/8"x13	1
32	96.7380.00	Rosetta D. 17.5x23.0x1.5	1
33	98.2179.00	Tappo G 1/2"x10	1
34	96.7514.00	Rosetta D. 21.5x27.0x1.5	1
35	96.6990.00	Rosetta D. 7.5x23.0x0.5	3
36	59.2110.82	Guarnizione spugna D. 3x103	1
37	59.0100.22	Carter pompa	1
38	58.2104.51	Protezione	1
39	90.1565.50	Anello rad. D. 15.0x24.0x5.0/7.0	271
40	59.0500.66	Guida pistone	3
41	97.7399.00	Spinotto D. 14x34	3
42	59.0300.01	Biella completa	3
43	99.3099.00	Vite serraggio biella	6
44	47.1500.22	Coperchio laterale lato spia	1
45	90.0850.00	Anello d'arresto 162	1
46	90.3913.00	OR D. 67.95x2.62 NBR 70 SH. 3628	2

VERSION I (for hydraulic motors SAE A)

- * Fixare cu Loctite 542 col. ROSSO
- * Affix with Loctite 542 col. RED
- * Fixer avec Loctite 542 couleur ROUGE
- * Mit Loctite 542 ROT befestigen
- * Fijar con Loctite 542 col. ROJA
- * Fixar com Loctite 542 cor. VERMELHA



SERIE 59

- ** Lubrificare con grasso di vaselina
- ** To lubricate with vaseline grease
- ** Lubrifier avec gras des vaseline
- ** Sich mit fett zum vaselin schmieren
- ** Para lubricar con la grasa de vaselina
- ** Para lubricar com a graxa de vaselina

DIS. COD. 59.9505.00

E3B2515 - E3B2121

PISTON D. 20		PISTON D. 22	
E3B2515		E3B2121	
POS	COD.	DESCRIZIONE - DESCRIPTION - KIT	NR
1	59.1213.41 59.1214.41	Testata pompa D. 20 - NICKEL Testata pompa D. 22 - NICKEL	1
2	36.2025.51	Guida valvola d'aspirazione	269
3	94.7376.00	Molla Dm. 9.4x14.8	269
4	36.2001.76	Valvola sferica	269
5	36.2003.66	Sede valvola d'aspirazione	269
6	90.3841.00	OR D.17.13x2.62 NBR 70 SH 3068	269
7	36.7115.01	Gr. valvola d'aspirazione	269
8	90.3847.00	OR D.20.24x2.62 NBR 70 SH 3081	292
9	98.2225.00	Tappo M 24.0x1.5x16.7	292
10	99.1690.00	Vite M 5x55	3
11	96.6905.00	Rosetta D. 5.0x11.5x0.4	3
12	59.0400.09 59.0401.09	Pistone D. 20x42 Pistone D. 22x42	3
13	90.3674.00	OR D.12.00x2.00 NBR 70 SH	269
14	36.2113.66	Sede valvola di mandata	269
15	36.2112.76	Valvola sferica	269
16	94.7333.00	Molla Dm. 6.2x10.4	269
17	36.2111.51	Guida valvola di mandata	269
18	36.7193.01	Gr. valvola di mandata	269
19	98.1967.00	Tappo G 1/8"x8	1
20	90.3593.00	OR D.15.60x1.78 NBR 70 SH 2062	292
21	98.2137.50	Tappo M18x1.5x10 D.23 - D.12	292
22	99.3175.00	Vite M 8x60 UNI 5931	8
23	66.1007.51 66.1009.51	Anello di testa D. 20 Anello di testa D. 22	285-290 286-291

KIT RICAMBI - SPARE KITS

KIT NR.	KIT 269	KIT 292	KIT 271
Posizioni incluse Positions included	2 - 3 - 4 5 - 6 - 13 14 - 15 - 16 17 - (7) - (18)	8 - 9 20 - 21	39
Nr. Pcs.	3	3	3

POS	COD.	DESCRIZIONE - DESCRIPTION - KIT	NR
24	90.2691.00 90.2716.00	An. ten. alt. D.20x30x6/3.7 HP 285-290 An. ten. alt. D.22x32x6/3.7 HP 286-291	3
25	90.5134.00 90.5148.50	An. antiest. D. 20.0x30.0x2.0 285-290 An. antiest. D. 22.0x32.0x2.0 286-291	3
26	59.6061.01 59.6062.01	Gr. supp. guarn./bussola D. 20 290 Gr. supp. guarn./bussola D. 22 291	3
27	90.3612.00	OR D. 31.47x1.78 NBR 70 SH, 2125 285-286-290-291	3
29	90.2690.00 90.2715.00	An. ten. alt. D.20x28x6.5 LP 285-290 An. ten. alt. D.22x30x6.5 LP 286-291	3
30	59.2108.70 59.2109.70	Anello per tenuta D. 20 290 Anello per tenuta D. 22 291	3
31	98.2099.00	Tappo G 3/8"x13	1
32	96.7380.00	Rosetta D. 17.5x23.0x1.5	1
33	98.2179.00	Tappo G 1/2"x10	1
34	96.7514.00	Rosetta D. 21.5x27.0x1.5	1
35	96.6990.00	Rosetta D. 7.5x23.0x0.5	3
36	59.2110.82	Guarnizione spugna D. 3x103	1
37	59.0100.22	Carter pompa	1
38	58.2104.51	Protezione	1
39	90.1565.50	Anello rad. D. 15.0x24.0x5.0/7.0 271	3
40	59.0500.66	Guida pistone	3
41	97.7399.00	Spinotto D. 14x34	3
42	59.0300.01	Biella completa	3
43	99.3099.00	Vite serraggio biella	6
44	47.1512.22	Coperchio laterale lato spia	1
45	90.3877.00	OR D. 39.34x2.62 NBR 70SH 3156	1
46	70.2118.01	Spia livello olio	1

PISTONE - PISTON D. 20		PISTONE - PISTON D. 22	
KIT 285	KIT 290	KIT 286	KIT 291
23 - 24 25 - 27 29	23 - 24 25 - 26 27 - 29 30	23 - 24 25 - 27 29	23 - 24 25 - 26 27 - 29 30
POS	COD.	DESCRIZIONE - DESCRIPTION - KIT	NR
47	59.0207.35 59.0208.35	Alb. ecc. C.12 - E3B2515 Alb. ecc. C.13 - E3B2121	1
48	90.0756.00	Anello d'arresto Z145	1
49	99.3039.00	Vite M8x16 UNI5931	8
50	91.8375.00	Cuscinetto a rulli	2
51	90.3913.00	OR D. 67.95x2.62 NBR 70SH 3268	2
52	97.5678.00 97.5680.00	Spessore D. 74.5x104.0x0.1 Spessore D. 74.5x104.0x0.3	1
53	98.2105.00	Asta livello olio G 3/8"x51	1
54	90.3922.00	OR D.133.02x2.62 NBR 70SH 3525	1
55	59.1600.22	Coperchio posteriore	1
56	98.2042.50	Tappo G1/4"x9 TE Zinc.	1
57	90.3585.00	OR D. 10.82x1.78 NBR 70SH 2043	1
58	47.1510.22	Coperchio laterale la to PTO	1
59	90.1648.00	Anello rad. D. 30.0x55.0x7.0	1
60	91.4685.00	Linguetta 4,0/4.8x18.0	1
61	99.3069.00	Vite M8x25 UNI 5931	4
62	10.0862.22	Flangia SAE A-2 fori	1
63	99.3686.00	Vite M10x30 5931	2
64	96.7103.00	Rosetta 10.5x18.0x2.0	2
65	90.2065.00	Tappo per oro D. 17 - TTIN19	1
66	99.3037.00	Vite M8x16 UNI 5739	4
67	96.7016.00	Rosetta D. 8.4x14.4x2.2	4
68	50.2000.74	Piedino pompa	2
69	95.1070.00	Motore ingr. 026R / S-A cil / G	1

VH VERSION

VERSIONE CON VALVOLA DI REGOLAZIONE AUT. – VERSION WITH BUILT-IN AUT. UNLOADER

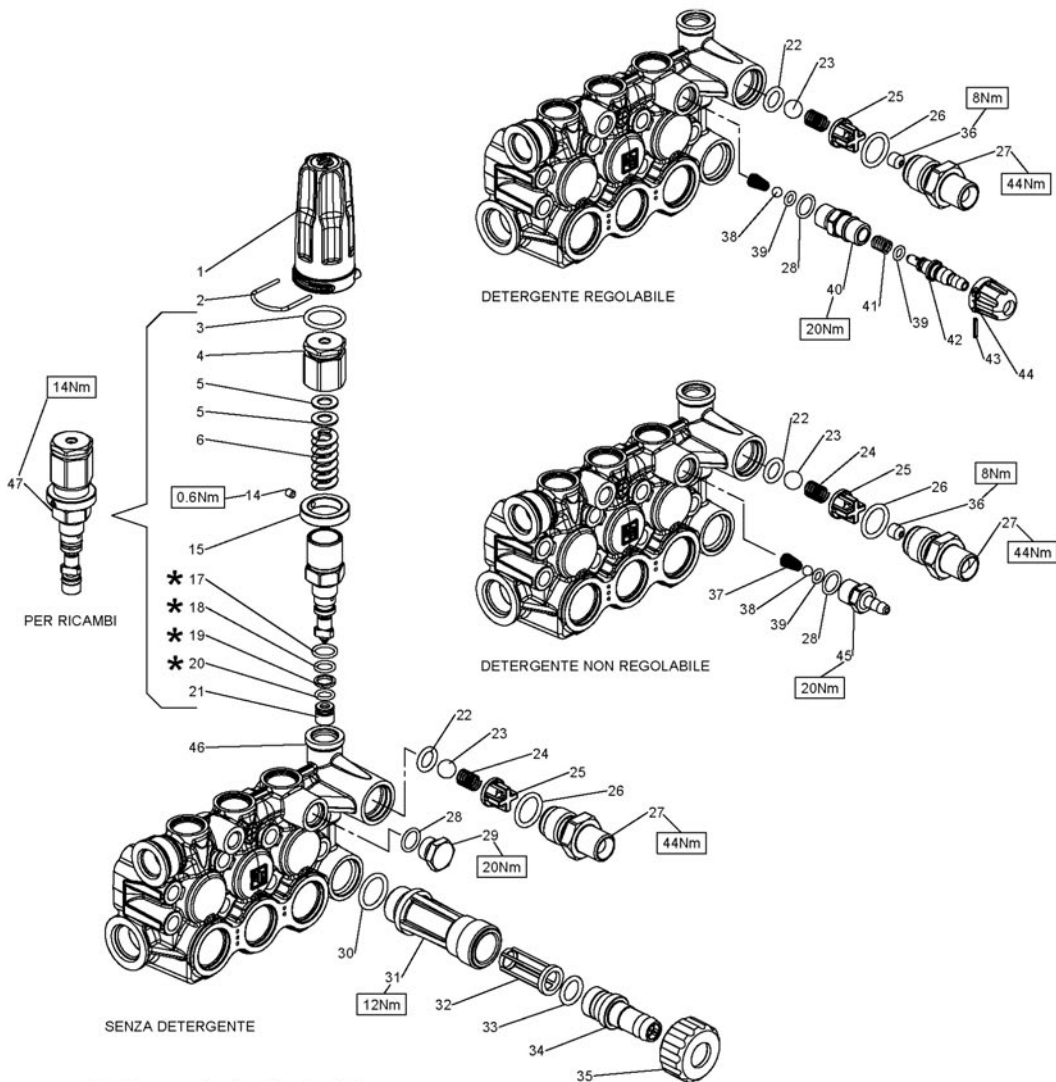
VERSION AVEC RÉGULATEUR AUT. DE PRESSION INCORPORÉ

AUSFÜHRUNG MIT EINGEBAUTEM AUT. DRUCKREGULIERVENTIL

VERSIÓN CON REGULADOR AUT. DE PRESIÓN INCORPORADO - VERSÃO COM VÁLVULA DO REGULAMENTO AUT.

SERIE 59

OPTIONALS



* = Se necessario prima del montaggio ingrassare.
- Usare grasso di vaselina per pompe -

DIS. COD. 36.9548.00

VH VERSION

**VERSIONE CON VALVOLA DI REGOLAZIONE AUT. – VERSION WITH BUILT-IN AUT. UNLOADER
VERSION AVEC RÉGULATEUR AUT. DE PRESSION INCORPORÉ
AUSFÜHRUNG MIT EINGEBAUTEM AUT. DRUCKREGULIERVENTIL**

VERSIÓN CON REGULADOR AUT. DE PRESIÓN INCORPORADO - VERSÃO COM VÁLVULA DO REGULAMENTO AUT.

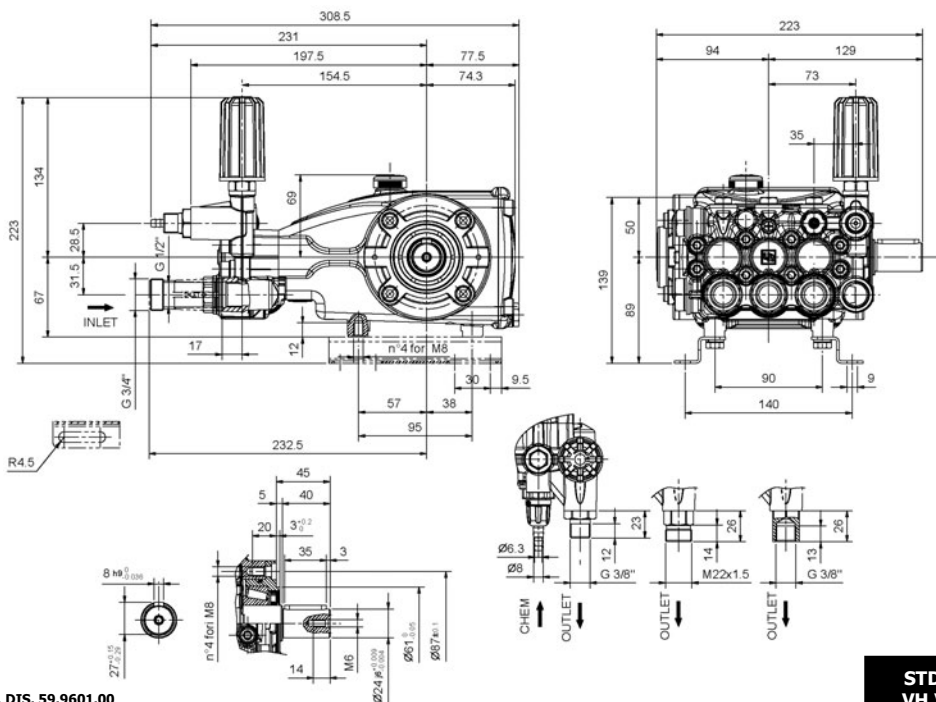
POS	COD.	DESCRIZIONE – DESCRIPTION - KIT	NR
1	36.3506.51	Pomolo di regolazione	1
2	10.0846.66	Forcella per pomolo di regolazione	1
3	90.3845.00	OR D. 18.72X2.62 NBR 70 SH. 3075	1
4	36.3481.70	Registro di pressione	1
5	36.3486.51	Rondella di scorrimento	2
14	99.1267.00	Vite M4x5 UNI 5929	1
15	36.3477.70	Ghiera di pressione massima	1
17	90.3587.00	OR D. 11.11x1.78 NBR 70 SH. 114	1
18	90.3581.00	OR D. 8.73x1.78 NBR 70 SH. 108	1
19	90.5038.00	Anello antiest. D. 9.0x12.0x1.5	1
20	90.3578.00	OR D.7.66x1.78 NBR 70 SH. 2031	1
21	36.3483.66	Sede	1
22	90.3823.00	OR D. 9.92x2.62 NBR 70 SH. 112	278 1
23	97.4838.00	Sfera D. 13/32"	278 1
24	94.7355.00	Molla Dm. 8.5x12.0	278 1
25	36.3104.51	Guida valvola	278 1
26	90.3839.00	OR D. 15.88x2.62 NBR 70 Sh. 121	278 1
27	36.3490.70 36.3489.70 36.3488.70 36.3487.70 36.3479.70	Nipplo 3/8" NPT – F – D. 3 Nipplo G 3/8" – F – D. 3 Nipplo M22x1.5 – D. 3 Nipplo 3/8" NPT – M – D. 3 Nipplo G 3/8" – M – D. 3	1
28	90.3585.00	OR D. 10.82x1.78 NBR 70 Sh. 2043 279-280	1
29	98.2041.00	Tappo G 1/4"x9	1
36	10.0795.66 10.0798.66	Ugello per iniettore D. 2.0 Ugello per iniettore D. 2.2	1
37	94.8217.00	Molla conica Dm. 4.3/7.3x11.0	279-280 1
38	97.4782.00	Sfera D. 7/32"	279-280 1
39	90.3573.00	OR D. 5.28x1.78 NBR 70 Sh. 2021 279-280	2
40	36.3482.70	Sede valvola detergente	279 1
41	94.7334.00	Molla Dm. 6.4x12.5	279 1
42	36.3342.70	Otturatore con portagomma	279 1

POS	COD.	DESCRIZIONE – DESCRIPTION - KIT	NR
43	97.6615.00	Spina D. 2.0x12.0	279 1
44	36.3484.51	Pomolo detergente rosso	279 1
45	36.3492.70	Portagomma	280 1
46	59.1205.41 59.1206.41 59.1207.41 59.1208.41 59.1209.41 59.1215.41 59.1216.41 59.1217.41 59.1218.41 59.1219.41	Testata con valv. integr. D. 13 Testata con valv. integr. D. 15 Testata con valv. integr. D. 18 Testata con valv. integr. D. 20 Testata con valv. integr. D. 22 Testata con valv. integr. D. 13 - NK Testata con valv. integr. D. 15 - NK Testata con valv. integr. D. 18 - NK Testata con valv. integr. D. 20 - NK Testata con valv. integr. D. 22 - NK	1
47	36.6054.01	Frutto valvola con sede	278 1
OPTIONALS			
30	90.3841.00	OR D. 17.13x2.62 NBR 70 Sh. 3068	1
31	36.3182.51	Nipplo aspirazione G 3/4"	1
32	92.8925.00	Filtro D. 12x35	1
33	90.3828.00	OR D. 12.37x2.62 NBR 70 Sh. 3050	1
34	36.2569.51	Portagomma aspirazione	1
35	92.9828.00	Ghiera G 3/4" – D. 15	1

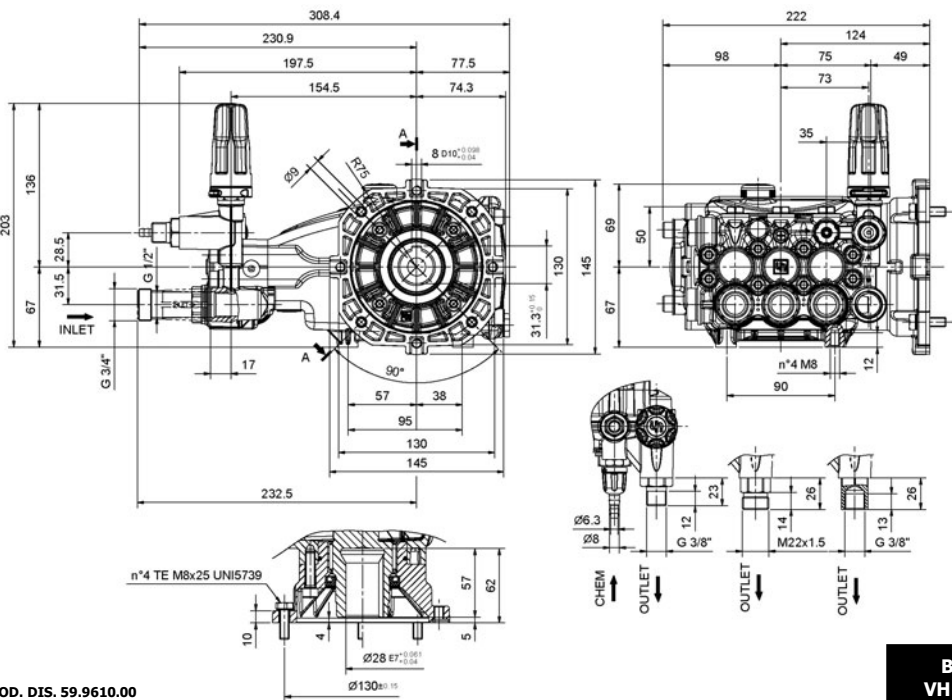
KIT RICAMBI - SPARE KITS

KIT NR.	KIT 278	KIT 279	KIT 280
Posizioni include	22 - 23	28 - 37	28 - 37
Positions included	24 - 25 26 - 47	38 - 39 43 - 45 48	38 - 39 45
Nr. Pcs.	1	1+2	1

**DIMENSIONI D'INGOMBRO – OVERALL DIMENSIONS – DIMENSIONS D'ENCOMBREMENT
RAUMBEDARF – DIMENSIONES TOTALES – DIMENSÕES**

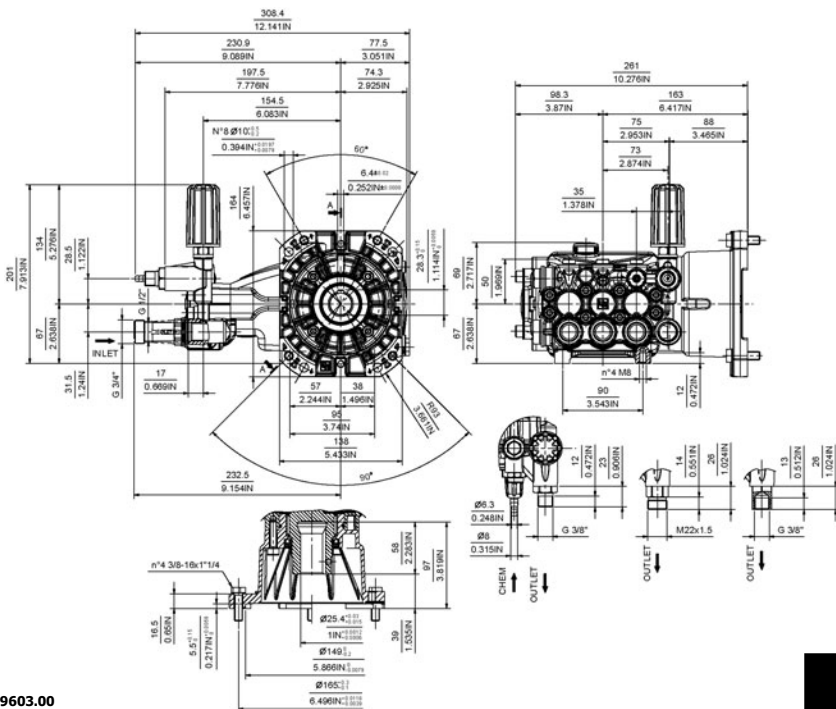


**STD - DX
VH VALVE**



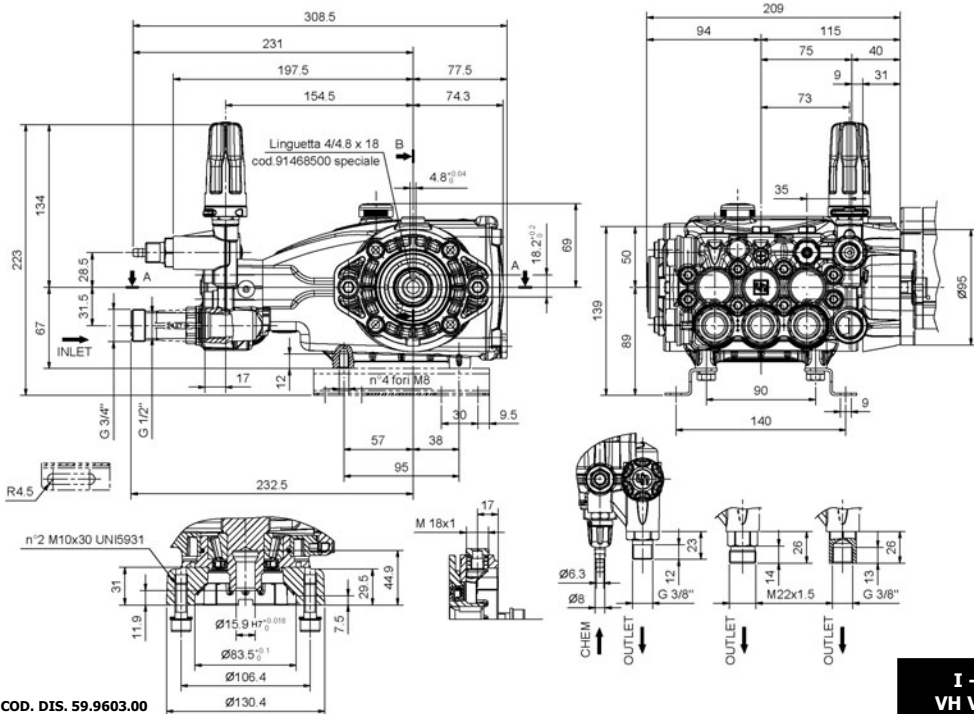
**B - DX
VH VALVE**

**DIMENSIONI D'INGOMBRO – OVERALL DIMENSIONS – DIMENSIONS D'ENCOMBREMENT
RAUMBEDARF – DIMENSIONES TOTALES – DIMENSÕES**



COD. DIS. 59.9603.00

**C1'' - DX
VH VALVE**

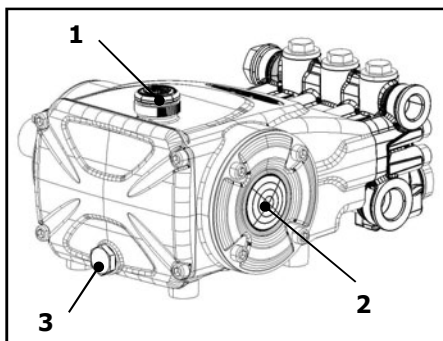


COD. DIS. 59.9603.00

**I - DX
VH VALVE**

1 - CAMBIO OLIO

- 1.1 – Il cambio dell'olio va eseguito con pompa a temperatura di lavoro.
- 1.2 – Posizionare un recipiente sotto il tappo di scarico olio (3).
- 1.3 – Rimuovere il tappo con asta (1) e successivamente il tappo di scarico (3).
- 1.4 – Attendere fino a quando tutto l'olio è uscito, quindi riavvitare il tappo di scarico (3) con la coppia torcente indicata su disegno esploso.
- 1.5 – Riempire con olio nuovo fino al raggiungimento della mezzeria del tappo spia livello olio (2) e riavvitare il tappo con asta (1) .



Per il tipo di olio da utilizzare fare riferimento a quanto indicato sul libretto generico.



ATTENZIONE: L'olio esausto deve essere raccolto in recipienti e smaltito negli appositi centri in accordo alla normativa vigente. Non deve essere assolutamente disperso nell'ambiente.

1 – OIL CHANGING

- 1.1 – Oil changing must be done with the pump at operating temperature.
- 1.2 – Put a container under the oil drain plug (3).
- 1.3 – Remove the oil dipstick (1) and then the drain plug (3).
- 1.4 – Wait until all the oil has drained out, then screw the drain plug (3) and tighten at the torque shown in the exploded diagram.
- 1.5 – Fill with new oil until the middle of the oil level indicator (2) is reached, screw by hand the oil dipstick (1).

Refer to the generic booklet for the type of oil to use.



WARNING: The exhaust oil must be collected in receptacles and disposed of at authorised centres as specified by law. It must not be thrown away in the environment.

1 - CHANGEMENT DE L'HUILE

- 1.1 – Le changement de l'huile doit être exécuté avec la pompe à température d'exercice.
- 1.2 – Placer un récipient sous le bouchon de vidange de l'huile (3).
- 1.3 – Enlever le bouchon-jauge (1), puis enlever le bouchon de vidange (3).
- 1.4 – Attendre que toute l'huile soit sortie, puis revisser le bouchon de vidange (3) avec le couple de torsion qui est indiqué sur le dessin éclaté.
- 1.5 – Remplir avec de l'huile neuve jusqu'à la ligne médiane du bouchon indicateur du niveau d'huile (2), et revisser le bouchon-jauge (1).

Pour le type d'huile à utiliser, se référer à ce qui est indiqué sur la notice générale.



ATTENTION : L'huile usée doit être recueillie dans des récipients et éliminée dans les centres prévus à cet effet, conformément à la réglementation en vigueur. Il ne faut absolument pas la jeter dans l'environnement.

1 - ÖLWECHSEL

1.1 – Beim Ölwechsel muss die Pumpe Betriebstemperatur aufweisen.

1.2 – Unter den Ölablassverschluss (3) einen Behälter stellen.

1.3 – Den Verschluss mit dem Stab (1) und danach den Ablassverschluss (3) abnehmen.

1.4 – Warten, bis das gesamte Öl abgelassen ist und den Ablassverschluss (3) mit dem auf der Übersichtszeichnung angegebenen Drehmoment wieder anschrauben.

1.5 – Mit frischem Öl füllen, bis die Mittellinie des Ölstandkontrollverschlusses (2) erreicht ist und den Verschluss mit dem Stab (1) wieder anschrauben.

Bezüglich der verwendbaren Ölsorten siehe die Angaben im allgemeinen Handbuch.



ACHTUNG: Das Altöl muss in Behältern gesammelt und gemäß den geltenden Vorschriften bei den hierfür vorgesehenen Zentren entsorgt werden. Es darf keinesfalls umweltschädigend entsorgt werden.

1 - CAMBIO DE ACEITE

1.1 – El cambio de aceite se efectúa con bomba a temperatura de trabajo.

1.2 – Colocar un recipiente debajo del tapón de descarga de aceite (3).

1.3 – Extraer el tapón con varilla (1) y seguidamente el tapón de descarga (3).

1.4 – Esperar hasta que haya salido todo el aceite, volver a enroscar el tapón de descarga (3) con el par de torsión indicado en el despiece.

1.5 – Llenar con aceite nuevo hasta alcanzar la línea media del tapón indicador de nivel de aceite (2) y volver a enroscar el tapón con varilla (1).

Para el tipo de aceite que debe utilizarse, remitirse a las indicaciones del manual general.



ATENCIÓN: El aceite residual debe recogerse en recipientes y eliminarse en los centros pertinentes de acuerdo con la normativa vigente. En ningún caso debe dispersarse en el ambiente.

1 - TROCA DE ÓLEO

1.1 – A troca de óleo deve ser feita com a bomba na temperatura de trabalho.

1.2 – Posicionar um recipiente embaixo da tampa de descarga de óleo (3).

1.3 – Remover a tampa com o pino (1) e, em seguida, a tampa de descarga (3).

1.4 – Esperar que todo o óleo saia, recolocar a tampa de descarga (3) com o binário de torção indicado no desenho explodido.

1.5 – Encher com o óleo novo até chegar na linha da tampa de controle do nível do óleo (2) e recolocar a tampa com o pino (1).

Para o tipo de óleo a ser utilizado, consultar as indicações do livro genérico.



ATENÇÃO: O óleo consumido deve ser coletado em recipientes e eliminado nos locais adequados, de acordo com a normativa vigente. Não deve, de modo algum, ser jogado no ambiente.

DICHIARAZIONE DI INCORPORAZIONE

(Ai sensi dell'allegato II della Direttiva Europea 2006/42/CE).

Il produttore **INTERPUMP GROUP S.p.A.** – Via E. Fermi, 25 – 42049 S.ILARIO D'ENZA (RE) - Italia
DICHIARA sotto la propria esclusiva responsabilità che l'attrezzatura identificata e descritta come segue :
Denominazione: Pompa

Tipo: Pompa alternativa a pistoni per acqua ad alta pressione

Marchio di fabbrica: INTERPUMP GROUP

Modello: E3A1713 – E3A1515 – E3A2113 – E3A2115 - E3B1911 – E3B1713 – E3B1515 – E3B1218
E3B1021 – E3B2511 – E3B2513 – E3B2515 - E3B2118 - E3B2121 – E3C1713 – E3C1515 - E3C1218
E3C1021 – E3C2513 – E3C2515 - E3C2518 – E3C2521 - E3E2813 – E3E2815 - E3E2517 – E3E2520

Risulta essere conforme alle sotto elencate direttive e successivi aggiornamenti :

- Direttiva Macchine 2006/42/CE
- Direttiva sulla restrizione dell'uso di determinate sostanze pericolose nelle apparecchiature elettriche ed elettroniche 2011/65/UE - RoHS

L'attrezzatura non contiene sostanze con restrizioni d'uso in concentrazione maggiore di quelle elencate nell'allegato II ad eccezione delle applicazioni esentate dalle restrizioni elencate nell'allegato III.

Norme applicate : UNI EN ISO 12100:2010 - UNI EN 809:2000

La pompa sopra identificata rispetta i seguenti requisiti essenziali di sicurezza e di tutela della salute elencati nel punto 1 dell'allegato I della Direttiva Macchine :

1.1.2 - 1.1.3 - 1.1.5 - 1.3.1 - 1.3.2 - 1.3.3 - 1.3.4 - 1.5.4 - 1.5.5 - 1.6.1 - 1.7.1 - 1.7.2 - 1.7.4 - 1.7.4.1 - 1.7.4.2
e la relativa documentazione tecnica è stata compilata in conformità dell'allegato VII B.

Inoltre il produttore si impegna a rendere disponibile, a seguito di una richiesta adeguatamente motivata, copia della documentazione tecnica pertinente la pompa nei modi e nei termini da definire.

La pompa non deve essere messa in servizio finché l'impianto al quale la pompa deve essere incorporata è stato dichiarato conforme alle disposizioni delle relative direttive e/o norme.


Persona autorizzata a costituire il fascicolo tecnico : Nome: Maurizio Novelli

Indirizzo: INTERPUMP GROUP S.p.A. – Via E. Fermi, 25 – 42049 S. ILARIO D'ENZA (RE) – Italia

Persona autorizzata a redigere la dichiarazione : L'amministratore delegato Ing. Paolo Marinsek

Reggio Emilia 03/2013

Firma



DECLARATION OF INCORPORATION

(In accordance with Annex II of European Directive 2006/42/CE).

The manufacturer **INTERPUMP GROUP S.p.A.** – Via E. Fermi, 25 – 42049 S.ILARIO D'ENZA (RE) - Italy **DECLARES** under sole responsibility that the equipment identified and described as follows :

Name: Pump

Type: Reciprocating plunger pump for high pressure water

Trademark: INTERPUMP GROUP

Model: E3A1713 – E3A1515 – E3A2113 – E3A2115 - E3B1911 – E3B1713 – E3B1515 – E3B1218

E3B1021 – E3B2511 – E3B2513 – E3B2515 - E3B2118 - E3B2121 – E3C1713 – E3C1515 - E3C1218

E3C1021 – E3C2513 – E3C2515 - E3C2518 – E3C2521 - E3E2813 – E3E2815 - E3E2517 – E3E2520

Complies with the requirements of the directives listed below and subsequent updates :

- Machinery Directive 2006/42/CE

- Directive 2011/65/EU – RoHS on the restriction of the use of certain hazardous substances in electrical and electronic equipment.

The equipment does not contain more than the specified concentrations of restricted substances listed in Annex II except for the applications exempted from the restriction listed in Annex III.

Standards applied : UNI EN ISO 12100:2010 - UNI EN 809:2000

The pump identified above meets all the essential safety and health protection requirements as listed in section 1 of Annex I of the Machinery Directive :

1.1.2 - 1.1.3 - 1.1.5 - 1.3.1 - 1.3.2 - 1.3.3 - 1.3.4 - 1.5.4 - 1.5.5 - 1.6.1 - 1.7.1 - 1.7.2 - 1.7.4 - 1.7.4.1 - 1.7.4.2

and the relevant technical documentation has been compiled in accordance with Annex VII B.

In addition, the manufacturer undertakes to make available, following a reasoned request, a copy of the relevant technical pump documentation in the manner and terms to be defined.

The pump should not be put into service until the plant to which the pump is to be incorporated has been declared in accordance with the provisions of the relevant directives and/or standards.

Person authorised to compile the technical file :

Name: Maurizio Novelli

Address: INTERPUMP GROUP S.p.A. – Via E. Fermi, 25 – 42049 S. ILARIO D'ENZA (RE) – Italy

Person authorized to draw up the declaration :

CEO Mr. Paolo Marinsek

Reggio Emilia 03/2013

Signature



DÉCLARATION D'INCORPORATION

(Conformément à l'annexe II de la Directive Européenne 2006/42/CE).

Le fabricant **INTERPUMP GROUP S.p.A.** – Via E. Fermi, 25 – 42049 S.ILARIO D'ENZA (RE) - Italie

DÉCLARE sous sa seule responsabilité que l'équipement identifié et décrit comme suit :

Description: Pompe

Type: Pompe alternative à pistons pour eau à haute pression

Marque de fabrique: INTERPUMP GROUP

Modèle: E3A1713 – E3A1515 – E3A2113 – E3A2115 - E3B1911 – E3B1713 – E3B1515 – E3B1218

E3B1021 – E3B2511 – E3B2513 – E3B2515 - E3B2118 - E3B2121 – E3C1713 – E3C1515 - E3C1218

E3C1021 – E3C2513 – E3C2515 - E3C2518 – E3C2521 - E3E2813 – E3E2815 - E3E2517 – E3E2520

Est conforme aux spécifications des directives énumérées ci-dessous et mises à jour suivantes:

- Directive Machines 2006/42/CE

- Directive relative à la limitation de l'utilisation de certaines substances dangereuses dans les équipements électriques et électroniques 2011/65/UE – RoHS

L'équipement ne contient pas de substances assorties de restrictions concernant l'utilisation en concentration plus élevée que celles énumérées à l'annexe II, sauf pour des applications exemptées des restrictions énumérées à l'annexe III.

Normes appliquées : UNI EN ISO 12100:2010 - UNI EN 809:2000

La pompe identifiée ci-dessus répond aux exigences essentielles de sécurité et protection de la santé suivantes énumérées au point 1 de l'annexe I de la Directive Machines :

1.1.2 - 1.1.3 - 1.1.5 - 1.3.1 - 1.3.2 - 1.3.3 - 1.3.4 - 1.5.4 - 1.5.5 - 1.6.1 - 1.7.1 - 1.7.2 - 1.7.4 - 1.7.4.1 - 1.7.4.2 et la documentation technique pertinente est constituée conformément à l'annexe VII B.

De plus, le fabricant s'engage à rendre disponible, suite à une demande adéquatement motivée, une copie de la documentation technique relative à la pompe dans les modes et les termes à définir.

La pompe ne doit pas être mise en marche tant que l'installation à laquelle la pompe doit être incorporée n'a pas été déclarée conforme aux dispositions des directives et / ou normes relatives.

Personne autorisée à réaliser le manuel technique :

Nom : Maurizio Novelli

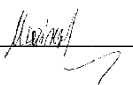
Adresse: INTERPUMP GROUP S.p.A. – Via E. Fermi, 25 – 42049 S. ILARIO D'ENZA (RE) – Italie

Personne autorisée à rédiger la déclaration :

L'administrateur délégué Ing. Paolo Marinsek

Reggio Emilia 03/2013

Signature



EINBAUERKLÄRUNG

(gemäß Anhang II der Europäischen Richtlinie 2006/42/EG).

Der Hersteller **INTERPUMP GROUP S.p.A.** – Via E. Fermi, 25 – 42049 S.ILARIO D'ENZA (RE) - Italien

ERKLÄRT auf alleinige Verantwortung, dass das wie folgt bezeichnete und beschriebene Gerät :

Bezeichnung: Pumpe

Typ: Kolbenpumpe für Hochdruck-Wasser

Herstellermarke: INTERPUMP GROUP

Modell: E3A1713 – E3A1515 – E3A2113 – E3A2115 - E3B1911 – E3B1713 – E3B1515 – E3B1218

E3B1021 – E3B2511 – E3B2513 – E3B2515 - E3B2118 - E3B2121 – E3C1713 – E3C1515 - E3C1218

E3C1021 – E3C2513 – E3C2515 - E3C2518 – E3C2521 - E3E2813 – E3E2815 - E3E2517 – E3E2520

mit den nachstehend aufgelisteten Richtlinien und ihren nachfolgenden Aktualisierungen konform ist :

- Maschinenrichtlinie 2006/42/EG
- Richtlinie zur Beschränkung der Verwendung bestimmter gefährlicher Stoffe in Elektro- und Elektronikgeräten 2011/65/EU – RoHS

Das Gerät enthält keine Stoffe, für die Beschränkungen bezüglich ihrer Verwendung in Konzentrationen bestehen, die über denen im Anhang II liegen, mit Ausnahme von Anwendungen, die von den im Anhang II aufgeführten Beschränkungen ausgenommen sind.

Angewandte Normen : UNI EN ISO 12100:2010 - UNI EN 809:2000

Die oben genannte Pumpe genügt den folgenden grundlegenden Sicherheits- und Gesundheitsschutzanforderungen, die unter Punkt 1 des Anhangs I der Maschinenrichtlinie aufgeführt sind.
1.1.2 - 1.1.3 - 1.1.5 - 1.3.1 - 1.3.2 - 1.3.3 - 1.3.4 - 1.5.4 - 1.5.5 - 1.6.1 - 1.7.1 - 1.7.2 - 1.7.4 - 1.7.4.1 - 1.7.4.2
Die speziellen technischen Unterlagen wurden gemäß Anhang VII Teil B erstellt.

Darüber hinaus verpflichtet sich der Hersteller einzelstaatlichen Stellen auf begründetes Verlangen die speziellen technischen Unterlagen zur Pumpe in festzulegenden Modalitäten und Fristen zu übermitteln.

Die Pumpe darf erst dann in Betrieb genommen werden, wenn gegebenenfalls festgestellt wurde, dass die Maschine, in die die Pumpe eingebaut werden soll, den Bestimmungen der entsprechenden Richtlinien und/oder Normen entspricht .

Person, die bevollmächtigt ist, die relevanten technischen Unterlagen zusammenzustellen: Maurizio Novelli

Adresse: INTERPUMP GROUP S.p.A. – Via E. Fermi, 25 – 42049 S. ILARIO D'ENZA (RE) – Italien

Person, die zur Ausstellung dieser Erklärung bevollmächtigt ist: Der Geschäftsführer Ing. Paolo Marinsek

Reggio Emilia 03/2013

Unterschrift



DECLARACIÓN DE INCORPORACIÓN

(De acuerdo con el anexo II de la Directiva Europea 2006/42/CE).

El fabricante **INTERPUMP GROUP S.p.A.** – Via E. Fermi, 25 – 42049 S.ILARIO D'ENZA (RE) – Italia **DECLARA** bajo su propia y exclusiva responsabilidad al aparato identificado y descrito del siguiente modo :
Denominación: Bomba

Tipo: Bomba alternativa con pistones para agua de alta presión

Marca de fábrica: INTERPUMP GROUP

Modelo: E3A1713 – E3A1515 – E3A2113 – E3A2115 - E3B1911 – E3B1713 – E3B1515 – E3B1218
E3B1021 – E3B2511 – E3B2513 – E3B2515 - E3B2118 - E3B2121 – E3C1713 – E3C1515 - E3C1218
E3C1021 – E3C2513 – E3C2515 - E3C2518 – E3C2521 - E3E2813 – E3E2815 - E3E2517 – E3E2520

Resulta ser conforme con las directivas que se indican a continuación y con sus sucesivas actualizaciones:

- Directiva de Máquinas 2006/42/CE
- Directiva acerca de la restricción del uso de determinadas sustancias peligrosas en máquinas eléctricas y electrónicas 2011/65/UE – RoHS

El aparato no contiene sustancias con restricción de uso en concentración mayor de aquellas citadas en el anexo II, exceptuando las aplicaciones exentas de las restricciones citadas en el anexo III.

Normas aplicadas : UNI EN ISO 12100:2010 - UNI EN 809:2000

La bomba identificada anteriormente respeta los siguientes requisitos esenciales de seguridad y de protección de la salud citados en el punto 1 del anexo I de la Directiva de Máquina :

1.1.2 - 1.1.3 - 1.1.5 - 1.3.1 - 1.3.2 - 1.3.3 - 1.3.4 - 1.5.4 - 1.5.5 - 1.6.1 - 1.7.1 - 1.7.2 - 1.7.4 - 1.7.4.1 - 1.7.4.2 y la correspondiente documentación técnica ha sido compilada de acuerdo con el anexo VII B.

Además el fabricante se compromete en hacer disponible, después haberse llevado a cabo una solicitud adecuadamente motivada, una copia de la documentación técnica pertinente de la bomba en una modalidad y en un plazo aún por definir.

La bomba no debe ser puesta en funcionamiento, hasta que el sistema al cuál la bomba debe ser incorporada, haya sido declarado conforme a las disposiciones de las respectivas directivas y/o normativas.

Persona autorizada a realizar el fascículo técnico :

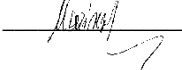
Nombre: Maurizio Novelli

Dirección: INTERPUMP GROUP S.p.A. – Via E. Fermi, 25 – 42049 S. ILARIO D'ENZA (RE) – Italia

Persona autorizada a redactar la declaración :

El administrador delegado Ing. Paolo Marinsek

Reggio Emilia 03/2013

Firma 

DECLARAÇÃO DE INCORPORAÇÃO

(Nos termos do anexo II da Directiva Europeia 2006/42/CE).

O fabricante **INTERPUMP GROUP S.p.A.** – Via E. Fermi, 25 – 42049 S.ILARIO D'ENZA (RE) - Itália **DECLARA** sob a sua exclusiva responsabilidade que os equipamentos identificados e descritos tal como se segue :

Denominação: Bomba

Tipo: Bomba alternativa com pistões para água a alta pressão

Marca de fábrica: INTERPUMP GROUP

Modelo: E3A1713 – E3A1515 – E3A2113 – E3A2115 – E3B1911 – E3B1713 – E3B1515 – E3B1218
E3B1021 – E3B2511 – E3B2513 – E3B2515 – E3B2118 – E3B2121 – E3C1713 – E3C1515 – E3C1218
E3C1021 – E3C2513 – E3C2515 – E3C2518 – E3C2521 – E3E2813 – E3E2815 – E3E2517 – E3E2520

Está em conformidade às directivas abaixo indicadas e posteriores actualizações :

- Directiva Máquinas 2006/42/CE
- Directiva sobre a restrição de uso de determinadas substâncias perigosas em aparelhos eléctricos e electrónicos 2011/65/UE – RoHS

O equipamento não contém substâncias com restrições de uso em concentração superior às indicadas no anexo II, á excepção das aplicações isentas das restrições indicadas no anexo III.

Normas aplicadas : UNI EN ISO 12100:2010 - UNI EN 809:2000

A bomba acima identificada respeita os seguintes requisitos essenciais de segurança e de tutela da saúde, referidos no ponto 1 do anexo I da Directiva Máquinas :

1.1.2 - 1.1.3 - 1.1.5 - 1.3.1 - 1.3.2 - 1.3.3 - 1.3.4 - 1.5.4 - 1.5.5 - 1.6.1 - 1.7.1 - 1.7.2 - 1.7.4 - 1.7.4.1 - 1.7.4.2 e a respectiva documentação técnica foi compilada em conformidade com o anexo VII B.

Além disso, o fabricante compromete-se a disponibilizar, mediante pedido adequadamente motivado, uma cópia da documentação técnica referente à bomba, em modos e termos a definir.

A bomba não deve ser colocada em funcionamento até que o sistema no qual tem de ser incorporada seja declarado em conformidade com as disposições das respectivas directivas e/ou normas.

Pessoa autorizada a compilar a documentação técnica : Nome: Maurizio Novelli

Morada: INTERPUMP GROUP S.p.A. – Via E. Fermi, 25 – 42049 S. ILARIO D'ENZA (RE) – Itália

Pessoa autorizada a redigir a declaração : O administrador delegado Eng.º Paolo Marinsek

Reggio Emilia 03/2013

Assinatura 

COPYRIGHT Il contenuto di questo libretto è di proprietà di INTERPUMP GROUP, ne è vietata la riproduzione e/o la divulgazione, anche parziale, a termini di legge.

COPYRIGHT The contents of this booklet are the property of INTERPUMP GROUP. Reproduction and divulgation, in whole or in part, are prohibited by law.

COPYRIGHT Le contenu de cette notice appartient à INTERPUMP GROUP : aux termes de la loi il est interdit de le reproduire et/ou de le divulguer, même partiellement.

COPYRIGHT Der Inhalt dieser Bedienungsanleitung ist Eigentum von INTERPUMP GROUP. Die auch nur teilweise Reproduktion und/oder Verbreitung ist gesetzlich verboten.

COPYRIGHT El contenido del presente manual es propiedad de INTERPUMP GROUP y está legalmente prohibida su reproducción y/o divulgación parcial o total.

COPYRIGHT O conteúdo deste livro é de propriedade da INTERPUMP GROUP, e é proibida a sua reprodução e/ou a sua divulgação, mesmo parcial, nos termos da lei.

Le informazioni presenti su questo documento possono essere variate senza preavviso.

The information contained in this document may change without notice.

Les informations présentes sur ce document peuvent être changées sans besoin de préavis.

Die in diesem Dokument enthaltenen Informationen können ohne Vorankündigung geändert werden.

La información contenida en el presente documento puede modificarse sin previo aviso.

As informações contidas neste documento poderão ser sujeitas a alterações sem aviso prévio.



**INTERPUMP
GROUP**

**AZIENDA CON SISTEMA
DI GESTIONE QUALITÀ
CERTIFICATO DA DNV GL
= ISO 9001 =**

VIA FERMI, 25 42049 S.ILARIO – REGGIO EMILIA (ITALY)
TEL.+39 – 0522 - 904311 TELEFAX +39 – 0522 – 904444
E-mail: info@interpumpgroup.it - <http://www.interpumpgroup.it>